

60cm Ceran Touch Electric

COOKTOP

PRODUCT CODE: **ECT600C4**



FEATURES:

- + Smooth Ceran glass electric cooktop
- + 4 heat elements
- + Overflow safety device
- + Front sensor touch control operation
- + Residual heat indicator
- + 9 power stage settings
- + 99 minute timer
- + Child lock
- + Square edge design

SMOOTH CERAN GLASS COOKTOP

A high grade ceran glass is used for this cooktop to ensure easy cleaning of the smooth ceran surface.

OVER-TEMPERATURE SAFETY DEVICE

To ensure safety whilst cooking, this electric cooktop is equipped with a safety system to monitor the temperature. When an excessive temperature is monitored, the cooktop will stop operation automatically.

RESIDUAL HEAT INDICATOR

To ensure that you know which electric hotplate is in use the **ECT600C4** is equipped with a heating level indicator. After cooking, there will be some residual heat remained, the letter "H" will appear to warn you to keep away from it till it cools down.

4 HEATING ELEMENTS AT 9 POWER SETTINGS

This ceramic cooktop is fitted with 4 elements to ensure they will provide different cooking zones and power settings to match with your cooking requirement.

SENSOR TOUCH CONTROL

The **ECT600C4** cooktop is equipped with a stylish touch sensor control panel, adding a touch of style and elegance to your kitchen.

CHILD SAFETY LOCK

The child safety lock acts as protection to ensure that your desired temperature cannot be altered without unlocking the cooktop.

SPECIFICATIONS:

Electrical Requirements	25 amp dedicated circuit from cooktop to main switchboard
Voltage	220V-240V
Frequency	50Hz - 60Hz
Total Rated Load:	6000W
Heating Elements:	
- Front Left Zone	1800W
- Rear Left Zone	1200W
- Rear Right Zone	1800W
- Front Right Zone	1200W
Weight	10.7kg (Gross) / 9.0kg (Net)
Product Dimensions	W590mm x D520mm
Bar Code	93477260000152



eurocooking

3
YEARS

Warranty

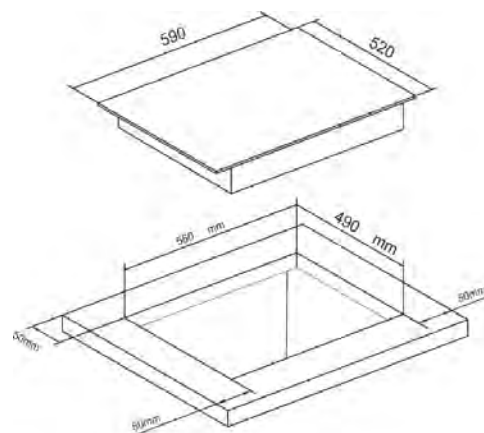
CLEANING AND MAINTENANCE

- Cleaning operations must only be carried out when the appliance is completely cool.
- Clean the appliance regularly, preferably after each use
- Abrasive cleaners or sharp objects will damage the appliance surface; you should clean it using water and a little washing up liquid

SAFETY INFORMATION

- The heating and cooking surfaces of the appliances become hot when in use, take all due precautions.
- Unstable pans should not be used on the appliances as they can cause an accident by tipping or spillage.
- Never leave the appliance unattended when cooking.
- Please refer to the manual for more information

INSTALLATION DIAGRAM



euroappliances

EMBRACE QUALITY + PASSION

CUSTOMER SUPPORT TOLL-FREE **1800 440 335**

DISCLAIMER: Please note that the measurements and model appearances may change at any time. Euro Appliances reserves the right to change the specifications without notice.

www.euroappliances.com.au

cooking | laundry | refrigeration | alfresco