



CHiQ

SINGLE DOOR FULL FRIDGE

▶ **USER MANUAL**

MODEL

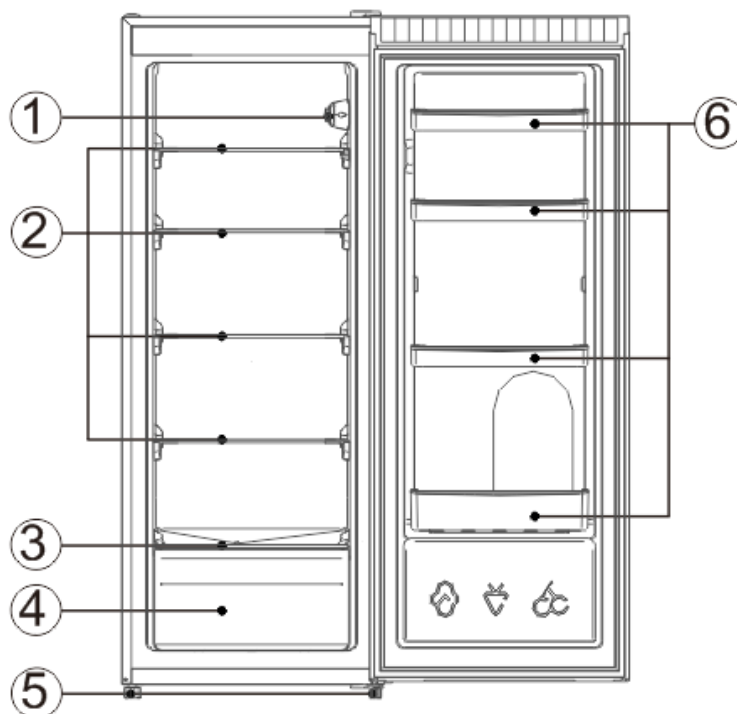
CSR205DW



Customer Service 1300 796 688

www.chiq.com.au

PART NAMES AND LOCATIONS



No	Description
1	Control panel
2	Refrigerator Glass Shelves
3	Crisper Cover
4	Crisper
5	Adjustable Feet
6	Door shelves

IN ACCESSORY BAG: USER MANUAL, WARRANTY CARD *****

As the manufacturer holds the authority to redesign or modify its products without notice: Any modifications or upgrades of our products will result in this refrigerator varying slightly from this manual but the functionality will remain the same to that as set out within this manual.

IMPORTANT SAFETY INSTRUCTIONS

⚡ WARNING ⚡

Follow these basic precautions to reduce the risk of fire, electrical shock hazards or injury when operating the refrigerator:

- **This product has been designed for using in a normal domestic environment. It is not intended for commercial use which will void warranty, such as supermarket, food shop, pharmacy, commercial kitchen & etc.**
- **This product is only suitable for indoor use, not for outdoor installation.**
- Persons with lack of experience and knowledge, reduced physical or mental capabilities, need to be given supervision or instruction concerning use of the appliance by a person responsible for their safety.
- Children should be supervised to ensure that they do not play with the appliance. Cleaning and user maintenance shall not be made by children without supervision.
- It is critical use this appliance safely. Read all instructions before operating the refrigerator and do not attempt to repair or modify this unit in any way as it can cause harm or void the warranty.
- Please ensure all persons using this appliance are also informed and comply with the details set out within this manual and the product Terms and Conditions.
- When unpacking the appliance for the first time, keep all cardboard and plastic packaging out of reach from children.
- Report any notable defects with the appliance to Chiq or retailer as soon as it is noted. Failure to do so can result in a non-warranty claim. Keep all packaging materials in a safe location until the unit has been installed properly.
- If the supplied power cord of this unit is damaged, it must be replaced by qualify service agent or similarly qualified persons in order to avoid any risk of injury. It is recommended the power cord is situated in a safe location when operating or transporting the appliance to prevent any damage that may cause electrical shock or fire hazards.
- **DANGER or WARNING:**

Service of this unit

The installation or any service of the appliance is recommended by a qualified technician or service company.

Ventilation Hazards

Never clean the refrigerator or refrigerator parts with flammable fluids, or store gasoline or any other flammable vapors and liquids in the vicinity of this or any other refrigerator as the gas and/or vapour can cause a fire hazard, explosion or inhalation.

Electrical Connection

Make certain, when installing or moving the unit that the power outlet has been connected to, has been fitted by a qualified electrician and the ground wire has been connected properly to meet the Australian Electrical Standards.

R600a WARNINGS

NOTE: This model uses R600a flammable refrigerant in its sealed system. The following must be observed for your safety:

R600a Refrigerant Warning

- This appliance contains **0.035kg** R600a refrigerant which is environmentally friendly, but flammable. It does not damage the ozone layer, nor does it increase the greenhouse effect.
 - During transportation and installation, ensure that the tubing of the refrigerant circuit is not damaged.
 - Leaking refrigerant can ignite and may damage the eyes.
 - In the event any damage does occur, avoid exposure to open fires and any device which creates a spark. Disconnect the appliance from the mains power.
 - Thoroughly ventilate the room in which the appliance is located for several minutes.
 - Notify Customer Service for necessary action and advice.
 - The room for installing the appliance must be at least 1 cubic metre per 8 grams of refrigerant. The refrigerant quantity contained in this appliance is listed above in grams; it is also noted on the Rating Plate of the appliance.
- * Do not store explosive substances such as aerosol cans with a flammable propellant in this appliance.

It is hazardous for anyone other than an Authorised Service Person to carry out servicing or repairs to this appliance. In Queensland the authorized person must hold a Gas Work Authorisation for hydrocarbon refrigerants, before carrying out servicing or repairs which involve the removal of covers.

1. Keep ventilation openings, in the appliance enclosure or in the built-in structure, clear of obstruction.
2. Do not use mechanical devices or other means to accelerate the defrosting process, other than those recommended by the manufacturer.
3. Do not damage the refrigerant circuit.
4. Do not use electrical appliances inside the food storage compartments of the appliance, unless they are of the type recommended by the manufacturer.
5. Do not store explosive substances such as aerosol cans with a flammable propellant in the appliance.

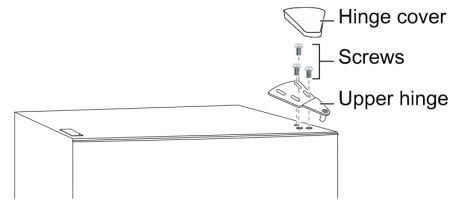
Disposal

The environment and personal safety must be considered when disposing of this appliance. Please ensure the appliance is taken to a recycle center for safe recycling. DO NOT dispose of the appliance in land fill as the insulation and refrigerant gas contained in these appliances are flammable.

Door reversal instruction

The following tool is required, flat screwdriver, phillips screwdriver, adjustable spanner, socket wrench and 8mm socket.

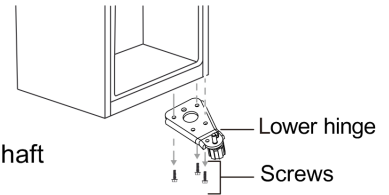
1. Make sure that the power is disconnected.
2. Pry the hinge cover up, remove the three screws that secure the upper hinge to the door, then remove the hinge.



3. Remove the refrigerator compartment door from the cabinet.

4. Remove the screws that secure the lower hinge to the right side of the cabinet, then remove the hinge.

5. Remove the washer and nut that secure the pin shaft to the right hole on the lower hinge, then remove the shaft

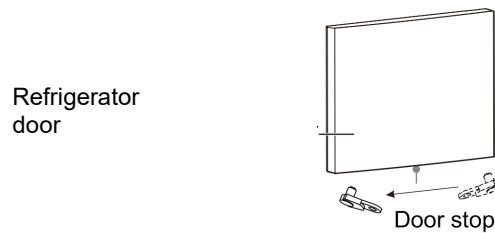


6. Insert the pin shaft into the left hole on the lower hinge, then secure the shaft with the washer and nut.



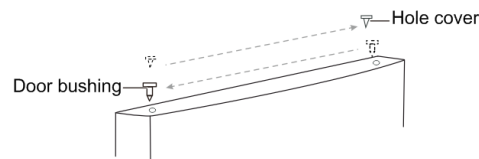
7. Install the lower hinge on the left side of the cabinet.

10. Remove the screw that secures the door stop from the bottom right of the refrigerator compartment door, then remove the door stop and install to the bottom left side.



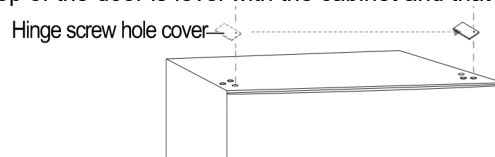
8. Install the refrigerator compartment door.

9. Move the door bushing from the top right side of the refrigerator door to the top left side of the door. And move the left hole cover to the right side.

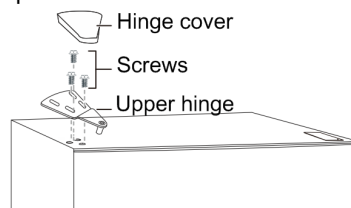


10. Remove the hole cover from the top left side of the cabinet, remove the cover and secure the cover on the top right side of the cabinet.

11. Secure the upper hinge to the top left side of the cabinet with the three screws you removed previously. Before you tighten the upper hinge screws, make sure that the top of the door is level with the cabinet and that the rubber gasket makes a good seal.



20. Install the hinge cover over the hinge on the top left side of the cabinet.



INSTALLATION INSTRUCTIONS

Before Using the Refrigerator

- Remove the exterior and interior packing.
- Before connecting the refrigerator to a power source, let the unit stand upright for approximately 6 hours to mitigate the possibility of a malfunction in the cooling system from improper handling during transportation.
- Clean the interior surface with warm water using a soft cloth.

Installing the Refrigerator

- This appliance is designed to be free standing only, and should not be recessed or built-in.
- **Allow at least 5cm of space between the back and sides of the refrigerator to allow proper air ventilation.** Insufficient space will result in cooling and working life issue and voiding warranty.
- Place the refrigerator on a **leveled/even** floor surface that is strong enough to support the weight of the refrigerator when it is fully loaded to prevent vibrations.
- **Place the refrigerator on a concrete, tile floor or waterproof floor is recommended. The fridge will produce defrost water or condensation moisture, it might cause water damage in some extreme circumstances.**
- **The front feet can be adjusted to level the appliance properly.** Adjust the two front feet to keep the refrigerator leveled or elevated.
- Situate the refrigerator away from direct sunlight and sources of direct heat (stove, heater, radiator, etc.). Direct sunlight may also affect the acrylic coating and heat sources may cause an increase power consumption.
- This unit is not designed for outside installation.
- Avoid situating the refrigerator in moist OR **pest infestation** areas.
- Plug the refrigerator into dedicated, properly installed-grounded wall outlet. Do not under any circumstances cut or remove the third (ground) prong from the power cord. Any questions concerning power and/or grounding should be directed toward a certified electrician or an authorized service center.
- After plugging the appliance into a wall outlet, turn the unit on and allow the unit to cool down for 4-6 hours before placing food in the refrigerator.
- Do not place heavy items on the top of this appliance.

ENERGY SAVING TIPS

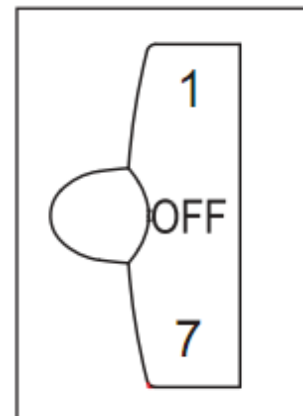
- Allow hot foods to cool to room temperature before placing in the refrigerator. Overloading the refrigerator forces the compressor to work harder. Foods that freeze too slowly may lose quality, or spoil.
- Be sure to wrap foods properly, and wipe containers dry before placing them in the refrigerator. This cuts down on frost build-up inside the refrigerator.
- Organize and label food to reduce door openings and extended searches. Remove as many items as needed at one time, and close the door as soon as possible.

OPERATING INSTRUCTIONS

Temperature Control

- "OFF" shows a forced STOP and "7" shows the coldest temperature. Turn the knob from "1" position to "7" position, the temperature setting decreases continuously.
- Set the knob to "4" position in normal use. But it can be adjusted to the setting that best suits your needs.

The marks on the knob are the temperature grades, not the exact number of the degrees of temperature.



Notes

The thermostat setting of '6' or '7' is suitable when ambient temperature is under 16 °C, but it may lead to ice formation if the refrigerator keeps running at such setting for a long time under the normal ambient temperature, which belongs to normal phenomenon. In such case, it is recommended to adjust back the thermostat setting appropriately.

Notes

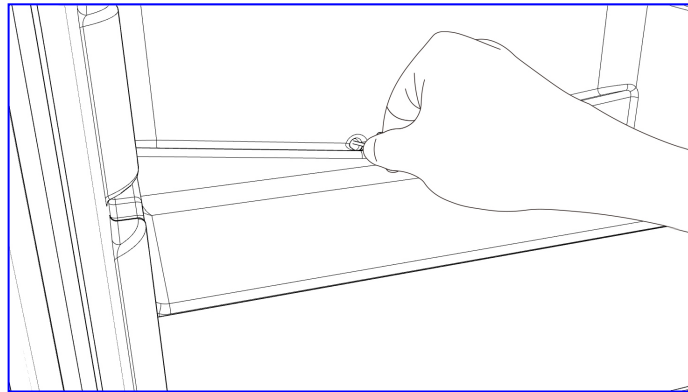
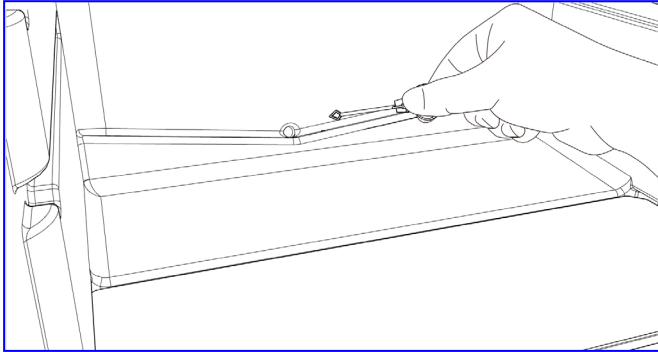
- **Please note different sections of refrigerator compartment may be warmer or cooler than others – typically the top back wall will be the coolest, the door rack will be the warmest. To avoid frost bite, please don't put raw vegetables too close to the chill compartment.**
- **Change the thermostat settings and allow 6 hours for temperature to stabilize between adjustments.**
- Do not keep opening and closing the door which will increase the temperature in the unit.

Drain anti-blockage plug

There is a drain hole on the bottom of back panel inside the fridge compartment. To avoid a blockage in the drain system, please find an anti-blockage plug from accessory bag and plug it into the drain hole as below photos, please leave it in the hole all the time.

Please clean the plug and remove any food particle every two or three weeks a time.

Just in case the drain hole still has blockage issue after cleaning, please try to unblock it with a flexible metal wire.



GENERAL CARE AND MAINTENANCE

Cleaning the Refrigerator

- Upon installation of your new appliance, it is recommended that it be cleaned thoroughly and properly maintained thereafter.
- Turn off the refrigerator and then unplug the unit from the wall outlet.
- Remove all food content before washing the inside with a damp cloth soaked in lukewarm water and dishwasher liquid. **Don't use any chemical detergent which might damage the fridge.**
- Be sure to keep the door gasket (seal) clean to keep the unit running efficiently as improper cleaning can cause the seal to dislodge and tear.
- Dry the interior and exterior with a soft cloth.

Vacation Time

- Turn off the refrigerator first and then unplug the unit from the power point.
- Remove all food.
- Clean the refrigerator.
- Leave the lid open slightly to avoid possible formation of condensation, mold, or odors.
- Use extreme caution in the case of children. The unit should not be accessible to child's play.
- **Short vacations:** Leave the refrigerator operating during vacations of less than three weeks.
- **Long vacations:** If the appliance will not be used for several months, remove all food and unplug the power cord. Clean and dry the interior thoroughly. To prevent odour and mold growth, leave the door open slightly: blocking it open if necessary.

Repositioning and Relocating the Refrigerator

- Unplug the power cord from the wall outlet.
- Remove all the food and drinks.
- Securely tape down all loose items inside your refrigerator.
- Tape the doors to be closed securely.
- It is recommended that the refrigerator stays in the upright position during transportation. But if it is laid down for transport purpose, please lift it up immediately after the job is done. Please wait for at least 24 hours before putting the power.

TROUBLESHOOTING GUIDE

Problem	Solution
The fridge has no power	<ul style="list-style-type: none"> ➤ Power cord isn't plugged in properly. ➤ The circuit breaker tripped or a blown fuse. ➤ Try a different power point.
The light is not working.	<ul style="list-style-type: none"> ➤ There is no light in freezer compartment, only fridge compartment has light. ➤ Make sure the power is connected to the unit.
Compressor runs all the time	<ul style="list-style-type: none"> ➤ The room temperature is hotter than normal. ➤ A large amount of food has been added to the refrigerator. ➤ The door is opened too often. ➤ The door is not closed completely. ➤ The temperature control is not set correctly. ➤ The door gasket does not seal properly. ➤ The refrigerator does not have the correct clearances. ➤ The refrigerator has recently been disconnected for a period of time. 6+ hours are required for the refrigerator to cool down completely pending on operating conditions.
Temperature inside the refrigerator is too warm.	<ul style="list-style-type: none"> ➤ Temperature control is set incorrectly. Turn the control to a cooler setting and allow several hours for the temperature to stabilize. ➤ Door is kept open too long or is opened too frequently. Warm air enters the refrigerator every time the door is opened). Open the door less often. ➤ The door is not closed completely. ➤ The door gasket does not seal properly.
Temperature inside the refrigerator is too cold.	<ul style="list-style-type: none"> ➤ Temperature control is set too cold. Turn the control to a warmer setting and allow several hours for the temperature to stabilize.
Temperature of external refrigerator side walls are warm.	<ul style="list-style-type: none"> ➤ The exterior refrigerator walls can be as much as 15-20 degrees warmer than room temperature. This is normal while the compressor works to transfer heat from inside the refrigerator cabinet to the condenser behind the refrigerator side walls.

<p>Popping or cracking sound when compressor comes on.</p>	<ul style="list-style-type: none"> ➤ Metal parts undergo expansion and contraction, as in hot water pipes. This is normal. Sound will level off or disappear as refrigerator continues to run.
<p>Bubbling or gurgling sound, like water boiling.</p>	<ul style="list-style-type: none"> ➤ Refrigerant (used to cool refrigerator) is circulating throughout the system. This is normal operation.
<p>Leaking water on the bottom of the fridge compartment</p>	<ul style="list-style-type: none"> ➤ The drain hole might be blocked by food particle, please clean hole and unblock it with a flexible metal wire.
<p>Vibrations.</p>	<ul style="list-style-type: none"> ➤ Check the refrigerator is on a level/even surface. ➤ Refrigerator rocks on the floor when it is moved slightly. Be sure floor can adequately support refrigerator. ➤ Level the refrigerator by putting wood or metal shims under part of the refrigerator. ➤ The refrigerator is touching the wall. Re-level the refrigerator and move it from the wall. See “Installation Instructions”.
<p>Moisture forms on inside refrigerator walls.</p>	<ul style="list-style-type: none"> ➤ Weather is hot and humid, which increases internal rate of frost build-up. This is normal. ➤ Door is slightly open. ➤ Door is kept open too long, or is opened too frequently. Open the door less often. ➤ The door is not sealed properly.
<p>Moisture forms on outside of refrigerator.</p>	<ul style="list-style-type: none"> ➤ Door is slightly open, causing cold air from inside the refrigerator to meet warm moist air from the outside.
<p>The doors will not close properly.</p>	<ul style="list-style-type: none"> ➤ The refrigerator is not on a level surface. ➤ The gasket/s may be dirty or not properly maintained. Clean the seals and make sure they are dry before closing the door/s. ➤ The storage basket and/or shelves are out of position.

For any enquiries, please call the CHiQ Customer care on: 1300 796 688



Customer Service

1300 796 688

www.chiq.com.au