

Chatel

LK48MBPINK • LK48MBBLACK • LK48MBGREEN • LK48MBRED

48L Retro Mini Fridge with Built-In Freezer Compartment



Signature Features

Retro Style & Practical Design

• Eclectic color options with a smooth glossy finish adding a pop of fun to any kitchen design or concept. Ideal for dorms, offices, bedrooms, RVs, and garages.

Detachable Shelf

• Remove the shelf to get a tall & large storage area, so that you can put some bottled drinks or skincare products

Energy Efficient & Quiet Operation

• Rated 3.5 Star in energy efficiency. R600a compressor is highly efficient and low energy consumption.

Sub-Tropical (SN/N/ST) Rating

• 7 temperature settings ranging from 2-8°C, mini fridge is rated for use in sub-tropical conditions to stay cool in the Australian climate.

Mechanical Temperature Control System*

• Ease of use with innovative design. Adjust for optimal control of temperature allowing food longer lasting freshness.

Important: The temperature of the freezer is affected by the temperature settings of the cooler. Select the most beneficial temperature setting to keep the food fresh while saving money on electricity.



Available Colors

- Black
LK48MBBLACK
- Green
LK48MBGREEN
- Red
LK48MBRED
- Pink
LK48MBPINK

Features



linärie
PRODUCT FEATURES
Chatel Retro Mini Bar • LK48MB

 Retro Style	48L Capacity	 Removable Shelves
7 Temperature Settings	 Quiet Operation	ST Sub-Tropical Rating
 Semi-Automatic Defrosting	 Compact Design	 Recessed Door Handle
 Ice Box	 Easy to Clean	 Australian Plug

Chatel

LK48MBPINK • LK48MBBLACK • LK48MBGREEN • LK48MBRED

48L Retro Mini Fridge with Built-In Freezer Compartment

Specifications

- Net Capacity: 48L
- Free-standing installation
- Power source: 220-240W / 50Hz
- 90kWh annual energy consumption
- 0.24kWh of power required per day
- R600a (13g) Refrigerant
- 3.5 Energy Star
- 1A Ampere
- Mechanical control system
- SN/N/ST Climate class
- 7 temperature settings
- 2-8°C Temperature range
- < 42db Noise level

Aesthetics

- Rounded corners and a retro integrated frame
- Upper recessed door handle
- Indoor temperature control
- Cyclopentane insulation foam (C5H10)
- Metal insulated side panels
- Right side hinge
- Door is not reversible
- Free-standing installation
- 2 Adjustable front feet

Warranty

- Two (2) Year Parts and Labor
- *Extend your warranty by registering your product linarie.com.au*

Product Features

- 48L Capacity
- Built-in freezer compartment
- Semi-automatic defrosting
- 1 Detachable tempered glass shelf
- 1 Door balcony

Product Dimensions & Weight

- Outside: 448 (W) x 543 (H) x 493 (D) mm
- Weight: 15 kg

Shipping Dimensions & Weight

- Dimensions: 477 (W) x 610 (H) x 535 (D) mm
- Weight: 17 kg



48L
capacity



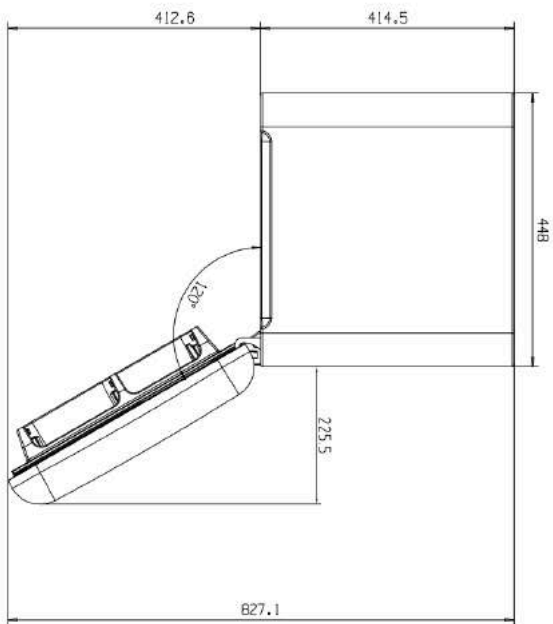
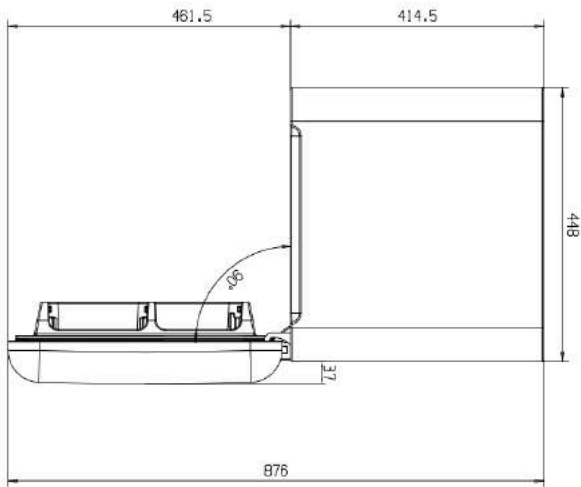
Actual color may vary. Design, specifications, and color availability are subject to change without notice, check linarie.com.au for up-to-date information. © Linärie Appliances | Australia NOV22.V01

Chatel

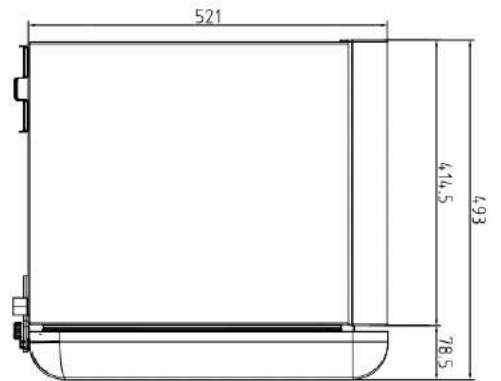
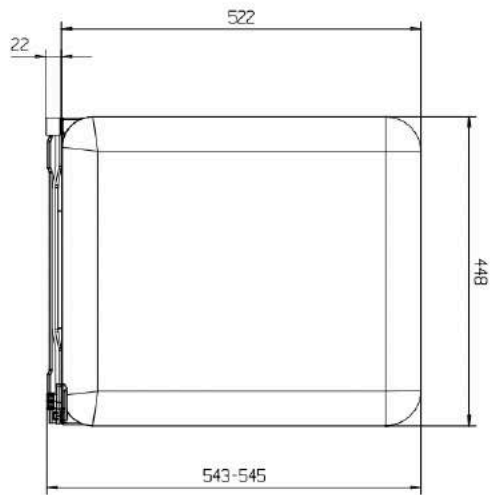
LK48MBPINK • LK48MBBLACK • LK48MBGREEN • LK48MBRED

48L Retro Mini Fridge with Built-In Freezer Compartment

Installation Drawing



Check the user manual for detailed installation directions



● LK48MBBLACK



● LK48MBGREEN



● LK48MBPINK



● LK48MBRED



Actual color may vary. Design, specifications, and color availability are subject to change without notice, check linarie.com.au for up-to-date information. © Linärie Appliances | Australia NOV22.V01