



Rangehoods

Installation and User Manual

CRR612SB, CRR612WB, CRR612DB

**CHEF**  
cooking

## WELCOME

Thank you for purchasing this appliance. You've chosen a product that brings with it decades of professional experience and innovation. Ingenious and stylish, it has been designed with you in mind. So whenever you use it, you can be safe in the knowledge that you'll get great results every time.

## LEGEND

The symbols you will see in this booklet have these meanings:



### **WARNING!**

**This symbol indicates information concerning your personal safety**



### **CAUTION!**

**This symbol indicates information on how to avoid damaging the rangehood**



### **IMPORTANT!**

**This symbol indicates tips and information about use of the rangehood**



### **ENVIRONMENT!**

**This symbol indicates tips and information about economical and ecological use of the rangehood**

## CONDITIONS OF USE

This appliance is intended to be used in household and similar applications such as:

- Staff kitchen areas in shops, offices and other working environments
- Farm houses
- By clients in hotels, motels and other residential type environments
- Bed and breakfast type environments.
- Catering and similar non-retail applications

## CONTENTS

- 3 **Important safety instructions**
- 4 **Installation**
- 6 **Operation and maintenance**
- 7 **Warranty**

## RECORD MODEL AND SERIAL NUMBER HERE:

Model:

---

Serial No:

---

## SAFETY INSTRUCTIONS

Please read the user manual carefully and store in a handy place for later reference. Pass the user manual on to possible new owners of the appliance.

Read the following carefully to avoid damage or injury.

Note: You must read these warnings carefully before installing or using the accessory. If you need assistance, contact your Customer Care Department. The manufacturer will not accept liability, should these instructions or any other safety instructions incorporated in this book be ignored.



### ENVIRONMENT!

Remove and discard any packaging material before using this accessory. Most of the packaging materials are recyclable. Please dispose of those materials through your local recycling depot or by placing them in the appropriate collection containers.



### WARNING!

- This appliance is not intended for use by persons (including children) with reduced physical, sensory or mental capabilities, or lack of experience and knowledge, unless they have been given supervision or instruction concerning use of the appliance by a person responsible for their safety. Children should be supervised to ensure that they do not play with the appliance.
- Ensure the rangehood is switched off before carrying out maintenance, to avoid any possibility of electric shock.
- Grease filters must be removed every four weeks (maximum) for cleaning to reduce the risk of fire.
- Do not light a flambe under the rangehood.
- This rangehood is not recommended for barbecues.
- The exhaust air from the rangehood must not be discharged into any heating flue, which may carry combustion products from other sources.
- Exhaust air must not be discharged into a wall cavity, unless the cavity is designed for the purpose.
- There must be adequate ventilation of the room when the rangehood is used at the same time as appliances burning gas or other fuels.
- Always cover lit gas burners with pots or pans when the rangehood is in use.
- Always switch off gas burners before you remove pots or pans.
- Grease filters must be removed every four weeks (maximum) for cleaning to reduce the risk of fire.
- Range hoods and other cooking fume extractors may adversely affect the safe operation of appliances burning gas or other fuels (including those in other rooms) due to back flow of combustion gases. These gases can potentially result in carbon monoxide poisoning. After installation of a range hood or other cooking fume extractor, the operation of open flued gas appliances should be tested by a competent person to ensure that back flow of combustion gases does not occur.



### CAUTION

- Accessible parts may become hot when used with cooking appliance.
- Regulations concerning the discharge of air have to be fulfilled.
- **WARNING:** Failure to install the screws or fixing device in accordance with these instructions may result in electrical hazards.

### Cleaning

- Wipe the rangehood body and flue with a sponge or soft cloth soaked in warm soapy water, and dry with a soft cloth, for stainless steel models apply a stainless steel protector. Do not use oven cleaners or other abrasive materials.
- There is a fire risk if cleaning is not carried out in accordance with the instructions.

### Electrical Connection

- Check that the mains voltage matches with the voltage on the data plate inside the rangehood.
- Check that the installation complies with standards of local gas and electricity authorities.
- If the supply cord is damaged, it must be replaced by the manufacturer or its service agent or a similarly qualified person in order to avoid a hazard.
- Means for disconnection must be incorporated in the fixed wiring in accordance with the wiring rules.

### Accessories

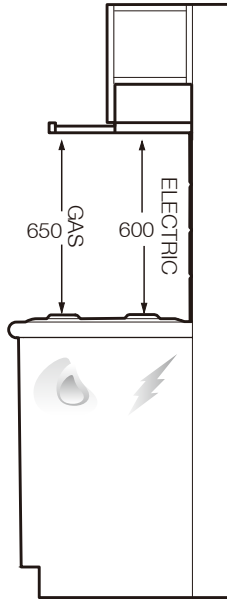
- Use 125mm round exhaust ducting for best performance.
- When using flexible duct always install duct with the wire helix pulled taut to minimise pressure loss.
- Try to keep exhaust duct short and straight.
- Keep bends in the exhaust duct to a minimum.
- Do not restrict exhaust duct.
- Reducing the size of the exhaust duct will reduce the airflow of the rangehood. Please read instructions carefully. Service calls resulting from incorrect installation will be charged for.

Exhaust air from the rangehood must not be discharged into any heating flue which may carry combustion products from other sources. In addition, exhaust air must not be discharged into a wall cavity, unless the cavity is designed for the purpose. Adequate ventilation of the room must be ensured when the rangehood is operating simultaneously with appliances burning gas or other fuels. Installation must comply in all respects with your gas and electrical authorities. This rangehood is an indoor domestic appliance, and has been manufactured and tested to comply with Australian and New Zealand Standard AS/NZS 60335.1 and 60335.2.31

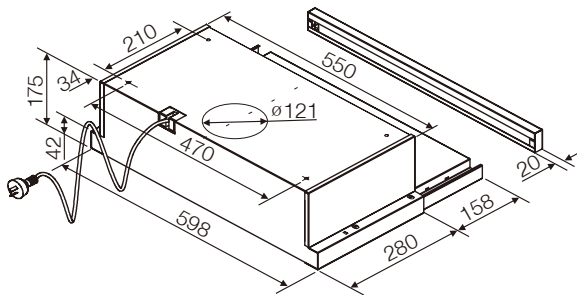
## INSTALLATION

### Standard ducting installation

It is recommended that the unit be positioned at a minimum of 600mm for an electric cooktop and 650mm for a gas cooktop, and no further from the cooktop than 800mm. Then unit becomes less effective as the distance from the cooking surface to the rangehood increase.



### Fixing point dimensions Minimum cabinet opening



### Parts supplied with hood

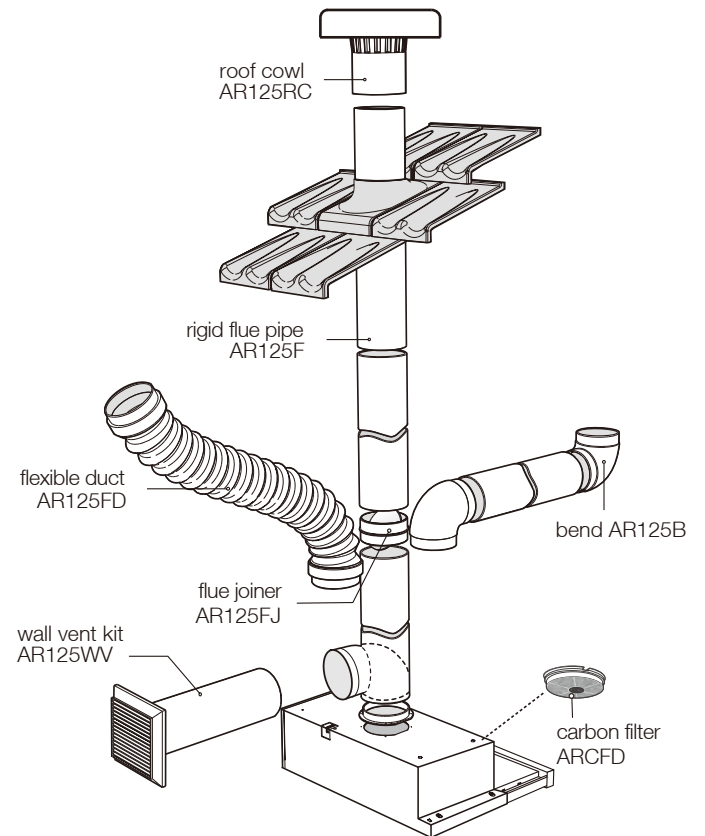
- 1 × Duct Spigot
- 4 × M6 × 40 screws
- 4 × Ø6 washers

### Parts to be purchased

- Aluminium tape or cable ties to secure flue pipe
- Custom drawer fascia (if required)
- Ducting accessories

### Ducting accessories

For best performance Ø 125mm ducting is recommended



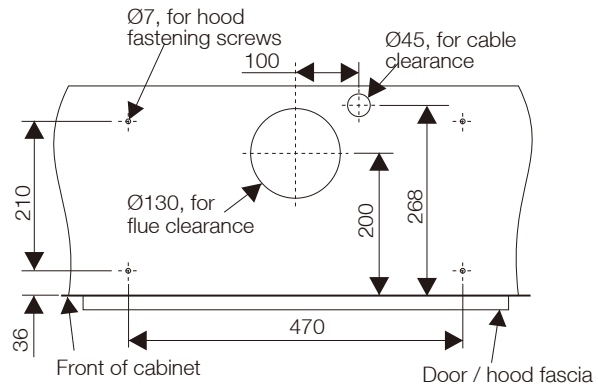
Accessories can be bought from your local appliance retailer, or in Australia / New Zealand at our online spare parts and accessories store: [shop.electrolux.com.au](http://shop.electrolux.com.au)

## INSTALLATION

### Drilling holes

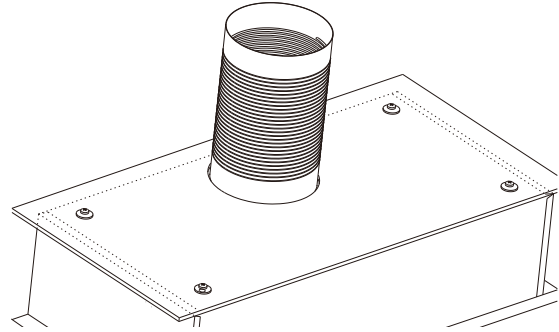
Drill the holes on top wooden support.

- drill  $\text{Ø}7$  hole
- drill  $\text{Ø}45$  hole
- cut  $\text{Ø}130$  hole



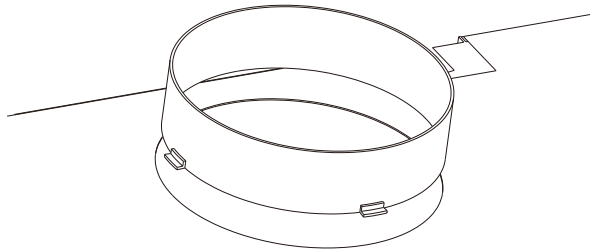
### Fixing flue pipe

Fix a 125mm diameter noncombustible rigid flue pipe. Fix flue pipe to the exhaust transition duct. Use cable ties or aluminium tape to secure flue pipe to the duct spigot. If using a flexible duct, install with the wire helix pulled taut to minimise pressure loss and noise.



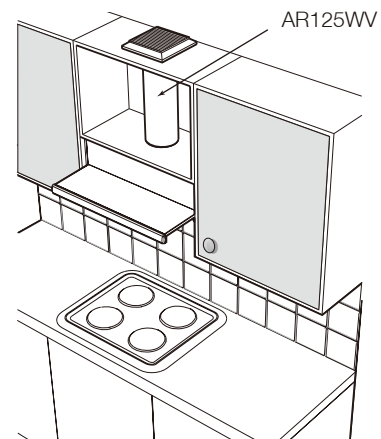
### Fixing duct spigot

Snap in duct spigot to the rangehood.



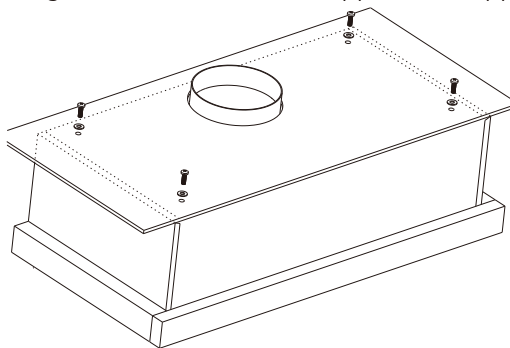
### Ducted recirculating installation

If ducted recirculating installation is used, carbon filters are recommended.



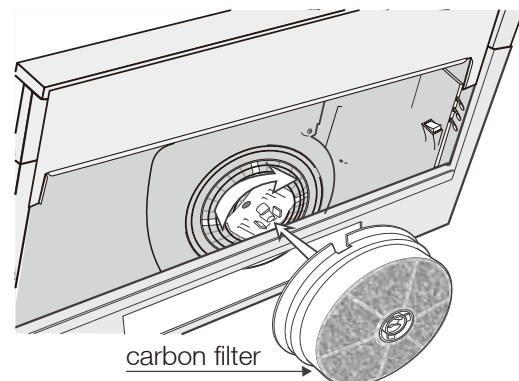
### Fixing the rangehood

Use 4xM6x40 screws and washers supplied to fasten the rangehood to the wooden support from upper side.



### Optional carbon filter

An optional carbon filter will diminish cooking odours in the recirculated air. Depending on the frequency of use and the type of cooking, the expected life of carbon filters from 1 to 6 months. Replacement is required. It is recommended to use carbon filter for recirculating installation. Using carbon filter will reduce the airflow of the rangehood.



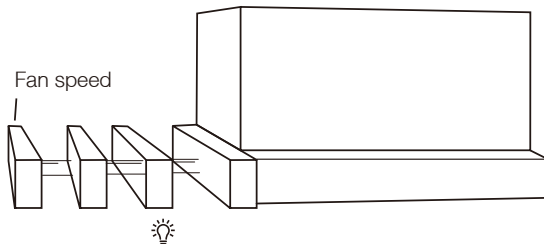
## OPERATION

### **i** IMPORTANT!

The Edison Screw lamps may have come loose during transportation.

Ensure that lamps are tightened firmly into the socket before power is applied.

The operation of the light and the fan are controlled by the drawer action. (see diagram)



### To replace the light globes

1. Open drawer and remove filter.
2. Turn mains switch off before removing lamp.

Replace with E14 LED (5.5W maximum) candle lamp. The lamp assembly includes a silicone seal, this must be replaced when a new lamp is used. The silicone seal is placed over the lamp thread and then the lamp is screwed into the holder. Ensure replacement lamp is tightened firmly.

Replacement lamps from Electrolux Parts Centres are supplied with silicone seals.

### Suitable lamp for replacement

E14 5.5W LED -> DBL-5.5-H-E14-35/102



### Maintenance

To maintain efficiency and reduce fire risk, filters should be removed every four weeks (maximum) for cleaning. Soak and agitate filters in hot soapy water or washing soda. Rinse, drain, shake well and replace.

Do not use caustic solutions or other corrosive agents.

The filters can be washed in the dishwasher, recommended the filters be placed on the top shelf of the dishwasher.

*NOTE: Where fitted, optional carbon filter are intended to be a disposable item and should be discarded when saturated. Washing the carbon filter is not recommended.*

### Remove filters for cleaning

1. Slide filter tray forward 1cm.
2. Push in clip on either side to release filter. Fig 1.
3. Pull filter downwards to remove. Repeat 2 & 3 for models with a second filter. Fig 2.
4. Turn off mains switch before cleaning drawer and rangehood body.
5. After cleaning, re-fit filters making sure the clip pins are securely fitted into the locating holes in the rangehood body and for twin filter versions, also located in the pull out drawer section.
6. Holding clip in, push opposite side of filter up until pins are over locating holes.
7. Release clip ensuring filter is securely fitted.

*Safety Tips: Use of two hands for removal and re-fitting of filters is recommended to avoid accidental dropping of filters which could cause damage to your cooktop or kitchen surfaces.*

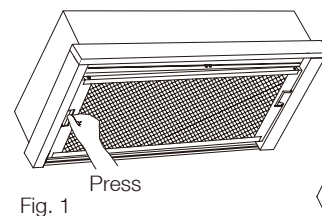


Fig. 1

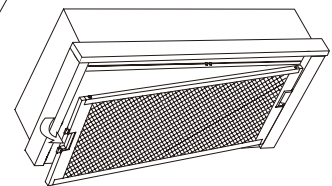


Fig. 2


**Electrolux Warranty**

FOR SALES IN AUSTRALIA AND NEW ZEALAND  
APPLIANCE: CHEF RANGEHOODS

**This document sets out the terms and conditions of the product warranties for Chef Appliances. It is an important document. Please keep it with your proof of purchase documents in a safe place for future reference should there be a manufacturing defect in your Appliance. This warranty is in addition to other rights you may have under the Australian Consumer Law.**

**1. In this warranty:**

- (a) 'ACL' or 'Australian Consumer Law' means Schedule 2 to the Competition and Consumer Act 2010;
- (b) 'Appliance' means any Electrolux product purchased by you and accompanied by this document;
- (c) 'ASC' means Electrolux's authorised serviced centres;
- (d) 'Chef' is the brand controlled by Electrolux Home Products Pty Ltd of 163 O'Riordan Street, Mascot NSW 2020, ABN 51 004 762 341 in respect of Appliances purchased in Australia and Electrolux (NZ) Limited (collectively "Electrolux") of 3-5 Niall Burgess Road, Mount Wellington, in respect of Appliances purchased in New Zealand;
- (e) 'Warranty Period' means the period specified in clause 3 of this warranty;
- (f) 'you' means the purchaser of the Appliance not having purchased the Appliance for re-sale, and 'your' has a corresponding meaning.

**2. Application:** This warranty only applies to new Appliances, purchased and used in Australia or New Zealand and is in addition to (and does not exclude, restrict, or modify in any way) other rights and remedies under a law to which the Appliances or services relate, including any non-excludable statutory guarantees in Australia and New Zealand.

**3. Warranty Period:** Subject to these terms and conditions, this warranty continues for in Australia for a period of 24 months and in New Zealand for a period of 24 months, following the date of original purchase of the Appliance.

**4. Repair or replace warranty:** During the Warranty Period, Electrolux or its ASC will, at no extra charge if your Appliance is readily accessible for service, without special equipment and subject to these terms and conditions, repair or replace any parts which it considers to be defective. Electrolux may, in its absolute discretion, choose whether the remedy offered for a valid warranty claim is repair or replacement. Electrolux or its ASC may use refurbished parts to repair your Appliance. You agree that any replaced Appliances or parts become the property of Electrolux.

**5. Travel and transportation costs:** Subject to clause 7, Electrolux will bear the reasonable cost of transportation, travel and delivery of the Appliance to and from Electrolux or its ASC. Travel and transportation will be arranged by Electrolux as part of any valid warranty claim.

**6. Proof of purchase** is required before you can make a claim under this warranty.

**7. Exclusions:** You may not make a claim under this warranty unless the defect claimed is due to faulty or defective parts or workmanship. This warranty does not cover:

- (a) light globes, batteries, filters or similar perishable parts;
- (b) parts and Appliances not supplied by Electrolux;
- (c) cosmetic damage which does not affect the operation of the Appliance;

(d) damage to the Appliance caused by:

- (i) negligence or accident;
- (ii) misuse or abuse, including failure to properly maintain or service;
- (iii) improper, negligent or faulty servicing or repair works done by anyone other than an Electrolux authorised repairer or ASC;
- (iv) normal wear and tear;
- (v) power surges, electrical storm damage or incorrect power supply;
- (vi) incomplete or improper installation;
- (vii) incorrect, improper or inappropriate operation;
- (viii) insect or vermin infestation;
- (ix) failure to comply with any additional instructions supplied with the Appliance;

In addition, Electrolux is not liable under this warranty if:

- (a) the Appliance has been, or Electrolux reasonably believes that the Appliance has been, used for purposes other than those for which the Appliance was intended, including where the Appliance has been used for any non-domestic purpose;
- (b) the Appliance is modified without authority from Electrolux in writing;
- (c) the Appliance's serial number or warranty seal has been removed or defaced

**8. How to claim under this warranty:** To enquire about claiming under this warranty, please follow these steps:

- (a) carefully check the operating instructions, user manual and the terms of this warranty;
- (b) have the model and serial number of the Appliance available;
- (c) have the proof of purchase (e.g. an invoice) available;
- (d) telephone the numbers shown below.

**9. Australia:** For Appliances and services provided by Electrolux in Australia: Electrolux goods come with guarantees that cannot be excluded under the Australian Consumer Law. You are entitled to a replacement or refund for a major failure and for compensation for any other reasonably foreseeable loss or damage. You are also entitled to have the Appliance repaired or replaced if the Appliance fails to be of acceptable quality and the failure does not amount to a major failure. 'Acceptable quality' and 'major failure' have the same meaning as referred to in the ACL.

**10. New Zealand:** For Appliances and services provided by Electrolux in New Zealand, the Appliances come with a guarantee by Electrolux pursuant to the provisions of the Consumer Guarantees Act, the Sale of Goods Act and the Fair Trading Act. Where the Appliance was purchased in New Zealand for commercial purposes the Consumer Guarantee Act does not apply.

**11. Confidentiality:** You accept that if you make a warranty claim, Electrolux and its agents including ASC may exchange information in relation to you to enable Electrolux to meet its obligations under this warranty.

**Important Notice**

Before calling for service, please ensure that the steps listed in clause 8 above have been followed.

<b>AUSTRALIA</b>	<b>FOR SERVICE</b> or to find the address of your nearest authorised service centre in Australia <b>PLEASE CALL 13 13 49</b> <small>For the cost of a local call</small>	<b>FOR SPARE PARTS</b> or to find the address of your nearest spare parts centre in Australia <b>PLEASE CALL 13 13 50</b> <small>For the cost of a local call</small>
<b>NEW ZEALAND</b>	<b>FOR SERVICE</b> or to find the address of your nearest authorised service centre in New Zealand <b>PLEASE CALL 0800 10 66 10</b>	<b>FOR SPARE PARTS</b> or to find the address of your nearest spare parts centre in New Zealand <b>PLEASE CALL 0800 10 66 20</b>

like to know more?



For further information on all Chef appliances, or to obtain detailed dimension and installation information, call into your Retailer, phone or email our Customer Care team or visit our website:

**Australia**

phone: ..... 13 13 49  
fax:..... 1800 350 067  
email: ..... [customercare@electrolux.com.au](mailto:customercare@electrolux.com.au)  
web:..... [chefappliances.com.au](http://chefappliances.com.au)

**Chef. We are part of the Electrolux family.  
Share more of our thinking at [electrolux.com.au](http://electrolux.com.au)**