

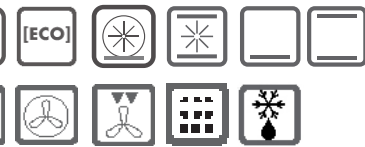
# 60CM BUILT-IN PYROLYTIC OVEN

**ARTUSI**  
THE ART OF LIVING

**MODEL** CAO61OWP



alternative set of knobs



## PRODUCT INFORMATION

### FINISH

- White glass
- stainless steel control knobs & handle

### FEATURES

- Provided with x 2 sets of control knobs
- Knob control thermostat
- Touch control digital timer
- Temperature range 50°C - 250°C
- Digital control switch
- Removable inner glass door
- Detachable door
- Halogen cavity lamp

### CAPACITY & INTERIOR

- 88L gross capacity
- 6 chrome rack positions
- Oven cavity size: 43cm D x 48.5W x 38cm H
- Active Enamel

### SAFETY

- quadruple layer glass door

### FUNCTIONS

- 11 Functions- defrost, convection, fan forced, super fan forced, bottom, grill, ECO fan forced, fan grill, bakers functions, fan assisted pyrolytic cleaning
- Pyrolytic cleaning, 1.15 hours-2 hours
- Semi and automatic cooking pre-set function

### ACCESSORIES

- 1 x oven rack
- 1 x oven tray with grill insert



EAN 9347777004093

AR26052021

### DISCLAIMER

Eurolinx PTY LTD, is continually seeking ways to improve the design specifications, aesthetics and production techniques of its products. As a result alterations to our products and designs take place continually. Whilst every effort is made to produce information and literature that is up to date, this brochure should not be regarded as an infallible guide to the current specifications, nor does it constitute an offer for the sale of any particular product. Product dimensions indicated in our literature is indicative only. Actual product only should be used to define dimension cut outs. Distributors, and retailers are not agents of Eurolinx and are not authorized to bind Eurolinx by any express or implied undertaking or representation.

**FOLLOW US ON:** [instagram.com/artusi\\_appliances](https://www.instagram.com/artusi_appliances)

[www.linkedin.com/company/eurolinx-pty-ltd-t-a-llve/](https://www.linkedin.com/company/eurolinx-pty-ltd-t-a-llve/)

Australia National Telephone Number 1300 (694 583) New Zealand Telephone Number 64 3 344 5913  
Artusi showroom hours: Tuesday to Friday - 9am-5pm, Saturday - 10am-4pm, Sunday and Monday - closed  
\* Melbourne showroom hours: Tuesday to Saturday - 10am-4pm

[artusi.com.au](https://www.artusi.com.au)

**NSW & ACT (Head Office)**  
48-50 Moore Street  
Leichhardt  
F 02 8569 4699

**QLD**  
1/42 Cavendish Road  
Coorparoo  
F 07 3397 0850

**WA & NT**  
Unit 10/55 Howe Street  
Osborne Park  
F 08 9201 9188

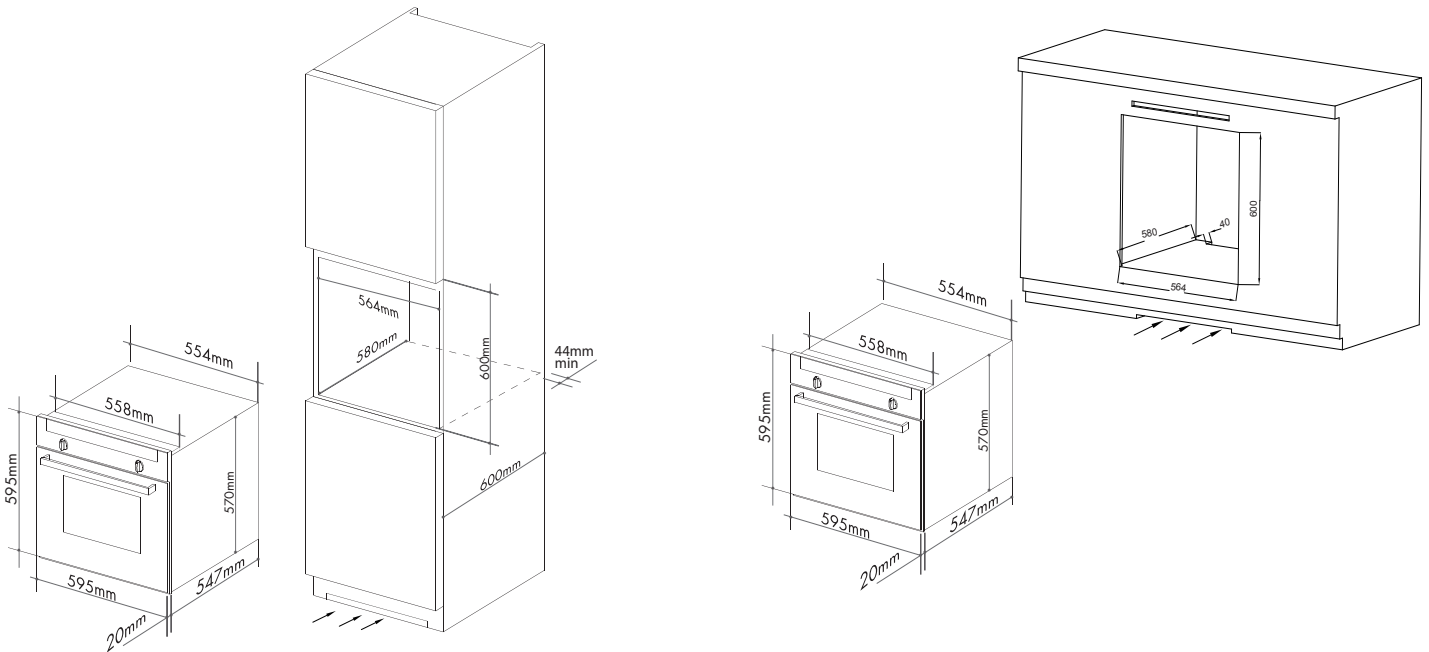
**New Zealand**  
PO Box 11,160  
Sockburn Christchurch  
F 03 344 5906

# 60CM BUILT-IN PYROLYTIC OVEN



MODEL CAO610WP

## TECHNICAL DIAGRAM



NB: drawings are not to scale — they are to be used for detailed installation instructions, please refer to user guide.

**EAN 9347777004093**

AR26052021

### DISCLAIMER

Eurolinx PTY LTD, is continually seeking ways to improve the design specifications, aesthetics and production techniques of its products. As a result alterations to our products and designs take place continually. Whilst every effort is made to produce information and literature that is up to date, this brochure should not be regarded as an infallible guide to the current specifications, nor does it constitute an offer for the sale of any particular product. Product dimensions indicated in our literature is indicative only. Actual product only should be used to define dimension cut outs. Distributors, and retailers are not agents of Eurolinx and are not authorized to bind Eurolinx by any express or implied undertaking or representation.

CAO610BP Black Glass Pyrolytic Built-in Oven  
Power Consumption: 2.8 Kw/H  
Electrical connection: 15 AMP hard wired

**FOLLOW US ON:**  [instagram.com/artusi\\_appliances](https://www.instagram.com/artusi_appliances)

 [www.linkedin.com/company/eurolinx-pty-ltd-t-a-lve/](https://www.linkedin.com/company/eurolinx-pty-ltd-t-a-lve/)

Australia National Telephone Number 1300 (694 583) New Zealand Telephone Number 64 3 344 5913  
Artusi showroom hours: Tuesday to Friday - 9am-5pm, Saturday - 10am-4pm, Sunday and Monday - closed  
\* Melbourne showroom hours: Tuesday to Saturday - 10am-4pm

[artusi.com.au](https://www.artusi.com.au)

**NSW & ACT (Head Office)**  
48-50 Moore Street  
Leichhardt  
F 02 8569 4699

**QLD**  
1/42 Cavendish Road  
Coorparoo  
F 07 3397 0850

**WA & NT**  
Unit 10/55 Howe Street  
Osborne Park  
F 08 9201 9188

**New Zealand**  
PO Box 11.160  
Sockburn Christchurch  
F 03 344 5906