

60CM BUILT-IN COMBI-MICROWAVE



MODEL CAMC45B



24 MONTH WARRANTY



60CM



45L OVEN CAPACITY



COOKING FUNCTIONS



DEFROST MODE



CHILD LOCK



5 POWER LEVELS

PRODUCT INFORMATION

FINISH

- Black Glass with stainless steel handle

FEATURES

- Digital Touch control
- LED display
- push down control knobs
- cooling fan
- rapid pre-heating*
- 900W microwave
- 5 microwave power settings
- 1750W Top Grill
- 1750W Convection
- Max. Power: 3350W

CAPACITY & INTERIOR

- 44L cavity size
- stainless steel cavity
- Internal cavity size (cm): 42W x 42D x 25H
- 2 shelf positions

FUNCTIONS

- 13 automatic programs
- 11 combined cooking functions: fan forced (3D hot air), grill with fan, pizza, grill, microwave + fan forced, microwave + fan grill, microwave + pizza, microwave + grill, defrost, auto programs, microwave



EAN 9347777004031

AR27052022

DISCLAIMER

Eurolinx PTY LTD, is continually seeking ways to improve the design specifications, aesthetics and production techniques of its products. As a result alterations to our products and designs take place continually. Whilst every effort is made to produce information and literature that is up to date, this brochure should not be regarded as an infallible guide to the current specifications, nor does it constitute an offer for the sale of any particular product. Product dimensions indicated in our literature is indicative only. Actual product only should be used to define dimension cut outs. Distributors, and retailers are not agents of Eurolinx and are not authorized to bind Eurolinx by any express or implied undertaking or representation.

FOLLOW US ON: [instagram.com/artusi_appliances](https://www.instagram.com/artusi_appliances)

www.linkedin.com/company/eurolinx-pty-ltd-t-a-lve/

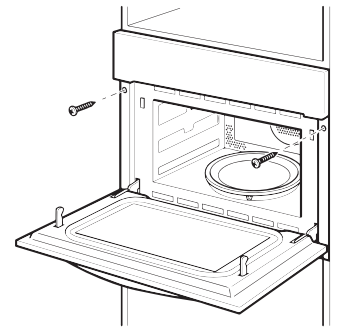
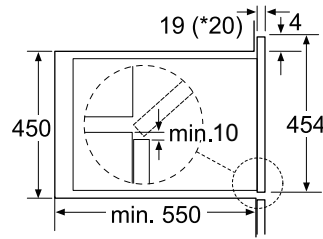
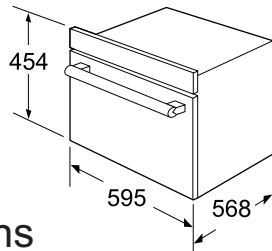
60CM BUILT-IN COMBI-MICROWAVE



MODEL CAMC45B

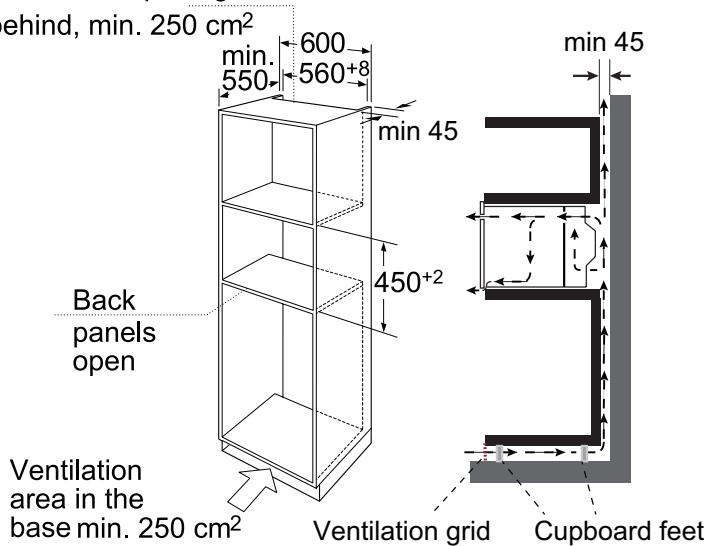
TECHNICAL DIAGRAM

Installation dimensions



* 20 mm for metal fascias

Ventilation openings
behind, min. 250 cm²



Note: There should be gap above the oven.

NB: drawings are not to scale — they are to be used for detailed installation instructions, please refer to user guide.

EAN 9347777004031

AR27052022

DISCLAIMER

Eurolinx PTY LTD, is continually seeking ways to improve the design specifications, aesthetics and production techniques of its products. As a result alterations to our products and designs take place continually. Whilst every effort is made to produce information and literature that is up to date, this brochure should not be regarded as an infallible guide to the current specifications, nor does it constitute an offer for the sale of any particular product. Product dimensions indicated in our literature is indicative only. Actual product only should be used to define dimension cut outs. Distributors, and retailers are not agents of Eurolinx and are not authorized to bind Eurolinx by any express or implied undertaking or representation.

CAMC45B Built-in Combi-Microwave
Unit Size: W595*H455*D525mm
140cm power cord

FOLLOW US ON: [instagram.com/artusi_appliances](https://www.instagram.com/artusi_appliances)

www.linkedin.com/company/eurolinx-pty-ltd-t-a-lve/

Australia National Telephone Number 1300 (694 583) New Zealand Telephone Number 64 3 344 5913
Artusi showroom hours: Tuesday to Friday - 9am-5pm, Saturday - 10am-4pm, Sunday and Monday - closed
* Melbourne showroom hours: Tuesday to Saturday - 10am-4pm

[artusi.com.au](https://www.artusi.com.au)

NSW & ACT (Head Office)
48-50 Moore Street
Leichhardt
F 02 8569 4699

QLD
1/42 Cavendish Road
Coorparoo
F 07 3397 0850

WA & NT
Unit 10/55 Howe Street
Osborne Park
F 08 9201 9188

New Zealand
PO Box 11,160
Sockburn Christchurch
F 03 344 5906