

# BUILT-IN ELECTRIC HOB

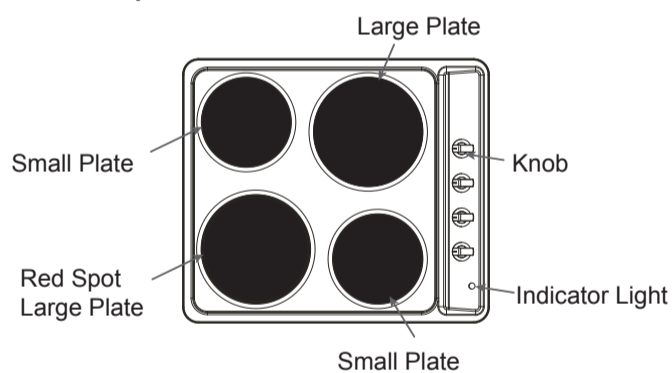
## INSTALLATION AND OPERATION MANUAL

# CAEH1

Please read the instruction manual carefully before operating your new hob.

Cod:

### Description of the hot plates



### Use

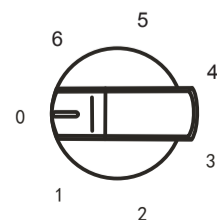
#### Directions for Use

1. Do not touch the appliance with wet hands.
2. Do not operate the appliance when barefoot.
3. Do not allow children to operate the hob.
4. Please disconnect the power supply before any maintenance and cleaning.
5. When the hob is working, the temperature of the hob top increases. Please do not touch and keep children away from it.
6. A steam cleaner must not be used to clean the appliance.
7. The appliance is not intended to be operated by means of an external timer or separate remote-control system.
8. The power supply should use H05VV-F,3x4mm<sup>2</sup>.
9. The hob must be built into a heat-resistant cabinet. Smoke may be visible when first used – this is normal. Please leave on for a few minutes to burn off excess oils used during manufacture.

### Operation

The electric plates can either be standard or rapid type. The latter feature a red spot in the centre. According to requirements, the plates can be adjusted by turning the knobs either clockwise or anti-clockwise to any of the 6 positions besides the 0 position (Off). The higher the number, the greater the output of heat (see table below). When using rapid plates, a thermostat automatically reduces the power when the selected temperature is reached and the plate cycles intermittently to keep a constant cooking temperature. The indicator light is a signal that the electric plates are switched on.

The level of heat can be adjusted gradually by turning the appropriate knob to the right or left. The indicator light can be found on the control panel – please see above diagrams.



0	Switch off
1	MIN. Warming up
2	Stewing vegetables, slow cooking
3	Cooking soups, larger dishes
4	Slow frying
5-6	Grilling meat, fish

### Dear Owner:

Thank you for purchasing our hob which is designed to give you many years of cooking pleasure. Before using your new appliance please read the user manual carefully and keep it in a safe place for future reference.

**THIS APPLIANCE MUST BE INSTALLED BY A QUALIFIED PERSON ONLY, IN COMPLIANCE WITH THE INSTRUCTIONS PROVIDED. THE MANUFACTURER DECLINES ALL RESPONSIBILITY FOR IMPROPER INSTALLATION, WHICH MAY HARM PERSONS AND ANIMALS OR CAUSE DAMAGE TO PROPERTY. THE APPLIANCE MUST BE USED ONLY FOR THE PURPOSE FOR WHICH IT WAS EXPRESSLY DESIGNED. ANY OTHER USE (EG. HEATING ROOMS) IS CONSIDERED TO BE IMPROPER AND DANGEROUS USE.**

### IMPORTANT NOTICE

Please register your warranty card and return the enclosed certificate of guarantee, duly dated and signed.

A duplicate data label and wiring diagram are contained in this booklet. Please keep these in a safe place.

The manufacturer shall not be held responsible for any inaccuracies in this instruction booklet due to printing errors and the designs in the diagrams are purely indicative.

The manufacturer also reserves the right to make any modifications to the products as may be considered necessary or useful, without jeopardising the main function or safety features of the products.

### WARNING

1. Please check the condition of the appliance after opening the package. If there are any problems, please refer to the supplier.
2. Do not throw the packaging materials (plastic bag, foam, cardboard etc) where children can easily reach them. Please dispose of packaging in an environmentally-friendly manner.
3. Do not attempt to change the wiring under any circumstances.
4. At the end of its life, please dispose of the appliance in an environmentally-friendly manner.
5. If the power cable is damaged, it must be replaced by a professionally qualified electrician.
6. The appliance is not intended for use by persons (including children) with reduced physical, sensory or mental capabilities, or lack of experience and knowledge.
7. Children should be supervised to ensure that they do not play with the appliance.

**Danger of fire: Do not store items on the cooking surfaces.**

**CAUTION: The cooking process has to be supervised. short term cooking process has to be supervised continuously.**

**WARNING: Unattended cooking on a hob with fat or oil can be dangerous and may result in a fire.**

1

An appropriately sized pan saves energy.

The correct pan should have a thick, flat base, with a diameter equal to the plate diameter, so that heat is transferred more efficiently.

### Advice on the Use of Electric Plates

Never leave the plates on without pans on them, or with empty pans and never use the plates to heat crockery. Switch on the plates after having set the pans on them.

Once switched off, the plates remain warm for a while, do not touch.

Switch off the heating plate before removing the pans.

### Technical Data

Model	Power Supply	Electric Plate Power(W)			Size	Built-in Hole Size
		145mm	185mm	185mm(Red)		
CAEH1	AC 220-240 V / 50Hz	1000	1500	2000	500X580X76	557(L)X477(W)

### Pans

- Use pans with flat bottoms. Uneven or thin bottoms will waste energy and are slow to cook.

- Smaller pans will waste energy.

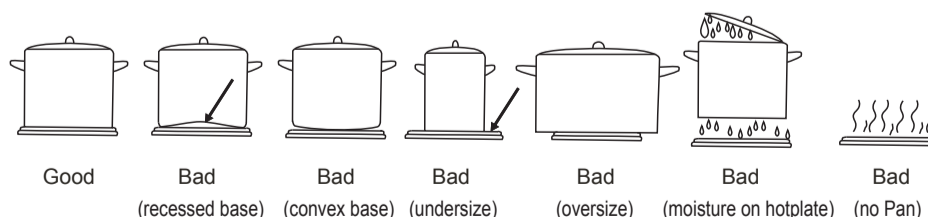
- Do not use oversized pans. More than 50mm overhang can cause components to overheat and cause fine cracks in enamel or even damage heating elements.

- Use only dry pans. Do not place wet or condensated items (eg. lids) on the hotplates.

### Use

- Do not use pots and pans that are unsteady and likely to rock or overturn.

- Do not operate the hob for an extended time without a pan on the hotplate.



**Cleaning**

Turn off the mains before carrying out any maintenance and wait for the hob to cool down. We advise using lukewarm water and detergent to clean enamelled elements. Never use abrasive products. Rinse the stainless steel with water and dry using a soft cloth. Use sponges or a moist cloth to clean the tops and remember that water can damage electric parts. Clean tough stains using non-abrasive detergents, or warm vinegar.

**Important Notice**

After use, a discolouration of the stainless steel hotplate rims is to be expected and cannot be avoided. This does not affect its operation.

**TECHNICAL INFORMATION FOR INSTALLATION (Qualified Personnel Only)**

**Electrical Connection**

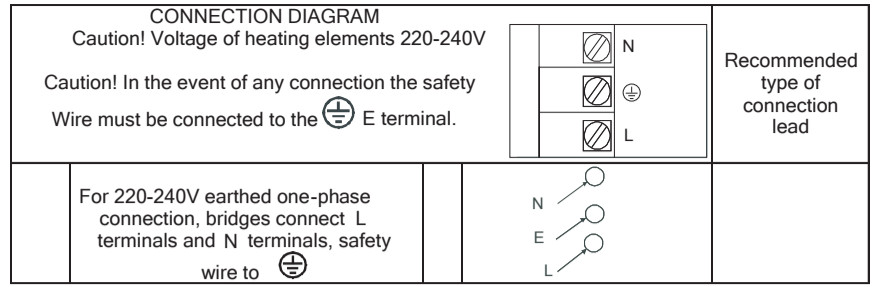
Appliances with three-pole cable are set up for operation with alternating current at the voltage and frequency indicated on the rating plate. Look at the connection wiring diagram. The earth conductor is yellow/green. The connection to the electricity supply must be made by a qualified person and following the regulations in force. When the appliance is to be installed above a built-in oven, the two appliances must be connected separately.

The supply cable must be so positioned that no point can reach a temperature 50° C higher than ambient temperature. Also check that the supply system has an effective earth connection and corresponds to the standards in force and that the plug (or omnipolar switch) can be reached easily when the appliance is installed.

**Fitting Guidelines**

The voltage rating of the hob heating elements is 220-240V. Adapting the hob to operate with one-phase current is possible by appropriate bridging in the connection box according to the connection diagram below. The connection diagram is also shown on the cover of the connection box. Remember that the connection wire should match the connection type and the power rating of the hob.

The connection cable must be secured in a strain-Relief clamp.

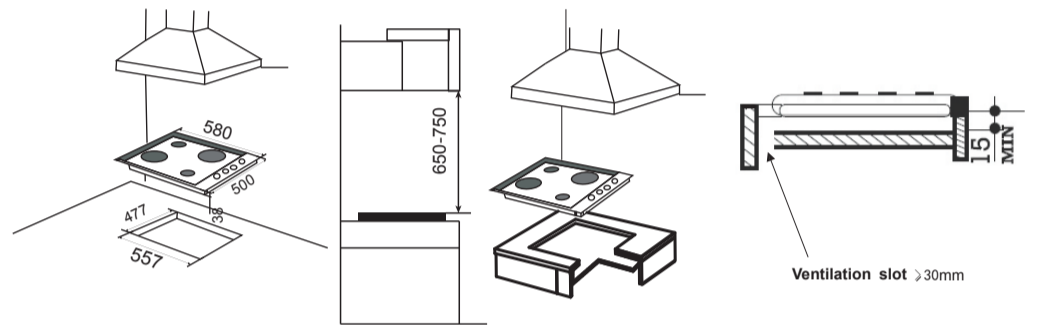


**Caution!**

Remember to connect the safety circuit to the connection box terminal marked with the safety symbol. The electricity supply for the hob must have a safety switch which enables the power to be cut off in case of emergency. The distance between the working contacts of the safety switch must be at least 3 mm. Before connecting the cooker to the power supply it is important to read the information on the data plate and the connection diagram. The manufacturer will not accept any responsibility if the applicable standards are not respected.

This appliance must be installed only by authorised personnel and in accordance with Australia and New Zealand regulations. The surfaces must be capable of sustaining temperatures of 80°C. All laminates, fixing adhesive and surface materials should be certified suitable for this temperature.

According to the diagrams below, cut a hole in the worktop and insert the hob. The hob can be fitted to any worktop with a thickness of 40mm or 50mm.



Please note the following:

1. Fire resistant material (eg. ceramic tiles) is required to a height of 450mm above the hob top and wall or vertical structures are not permitted within 200mm of the hotplates.
2. No overhang or cooker hood is permitted within 650mm distance in height above the hotplates.
3. Leave at least 50mm clearance between the underside of the appliance and any combustible area.
4. Never leave packaging components (plastic bags, polystyrene etc) within reach of children.

**TROUBLESHOOTING**

PROBLEM	CHECKLIST
Hob does not work	<ul style="list-style-type: none"> <li>● Check the wiring connection</li> <li>● Check the fuse and voltage</li> </ul>
Smoke when hob is on	<ul style="list-style-type: none"> <li>● This is normal on first use</li> <li>● Clean area around hotplates</li> </ul>
Damaged wire	<ul style="list-style-type: none"> <li>● Contact service provider and do not attempt to use</li> </ul>

Correct Disposal of this Product	
	<p>This marking indicates that this product should not be disposed of together with other household waste. To prevent possible harm to the environment or human health from uncontrolled waste disposal, recycle it responsibly to promote the sustainable reuse of material sources. To dispose of your unwanted product, please use your local return and collection systems or contact the retailer where the product was purchased. The retailer will be able to dispose of the product in a safe and environmentally-friendly manner.</p>