

GEH6017

60cm Recirculating/Ducted Slideout Rangehood

Features

- 440m³/hr extraction capacity
- Stainless steel front panel – white body
- 3 speed slide control
- 2 x incandescent lights
- 2 x aluminium grease filters
- 120mm flue cover outlet diameter
- 57 dB(A)

Optional Accessories

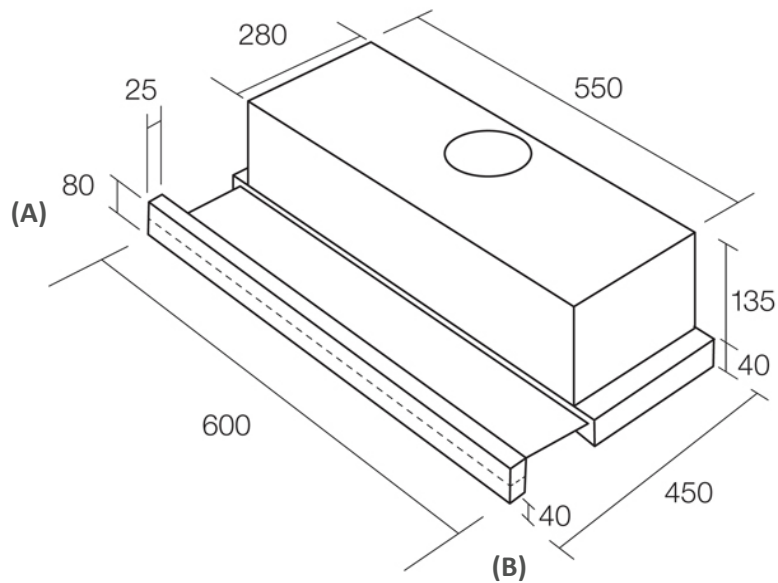
- Carbon Filter (GECF0107)

Front vented recirculating or ducted

- 2 x fascia rails included

(A) 80mm for front recirculating

(B) 40mm for direct ducting



Ducted



Recirculating

