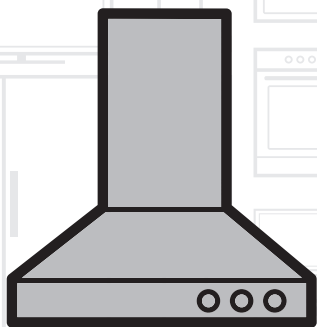


Range Hood

User manual



BRH60TW | BRH90TW

EN

01M-8860163200-1418-01

beko

Please read this manual first!

Dear Customers!

Thank you for preferring a Beko product. We hope that you get the best results from your product which has been manufactured with high quality and state-of-the-art technology. Therefore, please read this entire user manual and all other accompanying documents carefully before using the product and keep it as a reference for future use. If you handover the product to someone else, give the user manual as well. Follow all warnings and information in the user manual.

Remember that this user manual is also applicable for several other models. Differences between the models are explicitly described in the manual.

Meanings of the Symbols

Following symbols are used in the various section of this manual:



Important information and useful hints about usage.



WARNING: Warnings for dangerous situations concerning the safety of life and property.



Warning for electric shock.



Warning for hot surfaces.



Packaging materials of the product are manufactured from recyclable materials in accordance with our National Environment Regulations.



This product has been manufactured in environmental friendly modern plants without giving any harm to the nature.

This appliance conforms to the WEEE regulation.



It does not contain PCB.

CONTENTS

1 Important safety and environmental instructions 4

1.1 General safety	4
1.1.1 Electrical safety	4
1.1.2 Product safety	5
1.1.3 Children's safety	6
1.2 Intended use	6
1.3 Compliance with WEEE Directive and disposing of the waste product	7
1.4 Compliance with RoHS Directive:	7
1.5 Package information	7

2 Characteristics 8

2.1 Technical Specifications	8
------------------------------------	---

3 Installation Instructions 9

4 Operation 11

5 Use and Maintenance 12

5.1 Carbon filter	13
-------------------------	----

6 Trouble shooting 14

7 Guarantee 15

1 Important safety and environmental instructions

This section contains safety instructions that will help protect from risk of personal injury or property damage. Failure to follow these instructions invalidates the granted warranty.

1.1 General safety

- Always have the installation and repairing procedures carried out by the Authorised Service Agent. The manufacturer shall not be held responsible for damages that may be caused by unauthorized persons.
- This appliance is not intended for use by persons (including children) with reduced physical, sensory or mental capabilities, or lack of experience and knowledge. Children should be supervised to ensure that they do not play with the appliance.

1.1.1 Electrical safety

- Always unplug the appliance from the mains supply during installation, maintenance, cleaning and repair operations.

- If the power cable is faulty, it should be replaced by a qualified electrician.
- Operating voltage is 220 to 240 volts.
- If the appliance has a failure, it should not be operated unless it is repaired by the Authorised Service Agent. There is the risk of electric shock!
- Do not route power cable close to hobs. Otherwise power cable may cause fire since it melts down easily.
- Never plug the Range Hood before installation is completed.
- In order to obtain the best performance, the flue must not be longer than 4 m. It must not contain more than 2 perpendicular (90°) angles and its diameter must be min. $\varnothing 120$ mm.
- Disconnect the appliance from mains before any intervention to the internal parts of the appliance.
- Use the appliance with a grounded outlet only.

1 Important safety and environmental instructions

1.1.2 Product safety

- You can use a pipe with a diameter of 120 mm or 150 mm on the flue connection of the Range Hood.
- Do not make connections to the flues connected with stoves, exhaust shafts or flues with rising flames. Observe the rules set by authorities on the discharge of exhaust air.
- The height between the lower surface of the Range Hood and upper surface of the stove/oven should not be less than 50 cm for gas hobs and 45 cm for electric hobs.
- Do not operate the Range Hood without aluminum filters and do not remove the filters while it is operated.
- Never touch the Range Hood's lamps after they are operated for a long time. Hot lamps may burn your hand.
- Avoid large flames beneath the product. Otherwise, particles on oil filter may ignite and lead to a fire.
- Turn on the hobs after placing pans or pots on it. Otherwise, rising heat may deform certain parts of your product.
- Turn off the hobs before taking away pans or pots.
- Avoid inflammable materials under the Range Hood.
- Oil may ignite while frying foods. Therefore, be careful about cloths and curtains.
- Never leave the cooker unattended when frying foods; otherwise hot oil may cause fire.
- There is the risk of fire if your Range Hood is not cleaned in the specified periods.
- Be extremely careful and wear gloves when cleaning the Range Hood.
- We advise you to operate the appliance a few minutes before starting to cook in order to increase the suction power. Thus, you shall have a continuous and stable suction power when the vapors arise.
- Operate your Range Hood for 15 minutes more after the end of cooking or frying in order to remove the smell and cooking vapor in the kitchen.
- When the Range Hood is in use, especially together with gas cookers, make sure that environment is ventilated with clean air.

1 Important safety and environmental instructions

- Pay attention not to connect the appliance to the flues used by non-electrical devices. (E.g.: Heater flue).
- Simultaneous and smooth operation of the Range Hood and another device that require air is only possible when a low pressure of 4 Pa (0.04 mbar) is reached, and thus the reabsorption of the gas is avoided. This can only be achieved by means of air coming from uncovered openings (door, window, ventilation openings or other technical measures). Pay utmost attention to provide sufficient air flow. A flue that provides air ingress/egress is not enough for this purpose.
- This appliance can be used by the children who are at the age of 8 or over and by the people who have limited physical, sensory or mental capacity or who do not have knowledge and experience, as long as they are supervised with regard to safe use of the product or they are instructed accordingly and understand the risks of using the product. Children should not play with the appliance.
- **CAUTION:** Accessible parts may heat up when used with a cooking device.

1.1.3 Children's safety

- Packaging materials are dangerous to children. Keep packaging materials in a safe place out of reach of children.
- Electrical appliances are dangerous to children. Keep children away from the product. Do not allow children to play with the appliance.
- **WARNING:** Failure to fix the screws in accordance with the instructions provided in the manual may lead to electrical hazards.

1.2 Intended use

- This appliance is intended for domestic use. It is not suitable for commercial use and it must not be used out of its intended use.
- The manufacturer shall not be liable for any damage caused by improper use or handling.

1

Important safety and environmental instructions

1.3 Compliance with WEEE Directive and disposing of the waste product



This product complies with EU WEEE Directive (2012/19/EU). This product bears a classification symbol for waste electrical and electronic equipment (WEEE).

This product has been manufactured with high quality parts and materials which can be reused and are suitable for recycling. Do not dispose of the waste product with normal domestic and other wastes at the end of its service life. Take it to the collection center for the recycling of electrical and electronic equipment. Please consult your local authorities to learn about these collection centers.

1.4 Compliance with RoHS Directive:

The product you have purchased complies with EU RoHS Directive (2011/65/EU). It does not contain harmful and prohibited materials specified in the Directive.

1.5 Package information



Package of the product is made of recyclable materials in accordance with our National Legislation. Do not dispose of the packaging materials together with the domestic or other wastes. Take them to the packaging material collection points designated by the local authorities.

2 Characteristics

2.1 Technical Specifications

	BRH60TW	BRH90TW
Width	600 mm	900 mm
Depth	306 mm	306 mm
Height	230 mm	230 mm
Supply voltage	220 - 240 V, 50 Hz	220 - 240 V ~, 50 Hz
Control	3 positions (Slide Switch)	3 positions (Slide Switch)
Suction power	430 m ³ /h	430 m ³ /h
Motor power	105 W	105 W
Lamp power	2 x 3W LED	2 x 3W LED
Total power	111 W	111 W
Net weight	7 kg	8,9 kg
Gross weight	8,7 kg	11,1 kg

Markings on the product or the values stated in other documents supplied with the product are values obtained under laboratory conditions as per relevant standards. These values may vary according to the usage of the product and ambient conditions.

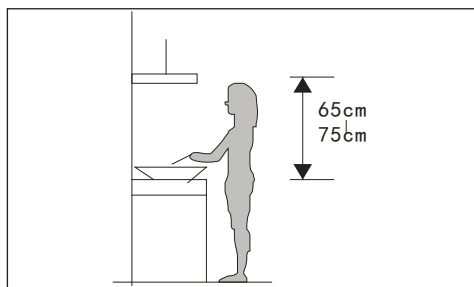
3 Installation Instructions

- The exhaust air must not be discharged into a flue which is used for exhausting fumes from other appliances burning gas or other fuels. (Not applicable for appliances which only discharge air back into the room)
- The minimum distance between the supporting surface for the cooking vessels on the hob and the lowest part of the range Range Hood: When the range Range Hood is located above a gas appliance, this distance shall be 65cm. If the instructions for installation for the gas hob specify a greater distance, this must be taken into account. (The distance of 65 cm can be reduced for non combustible parts of range Range Hoods and parts operating at safety extra low voltage provided these parts do not give access to live parts. Distance may be reduced to 60 cm to align with the AGA code.)
- Regulations concerning the discharge of air have to be fulfilled



WARNING: Failure to install the screws or fixing device in accordance with the instructions may result in electrical hazards

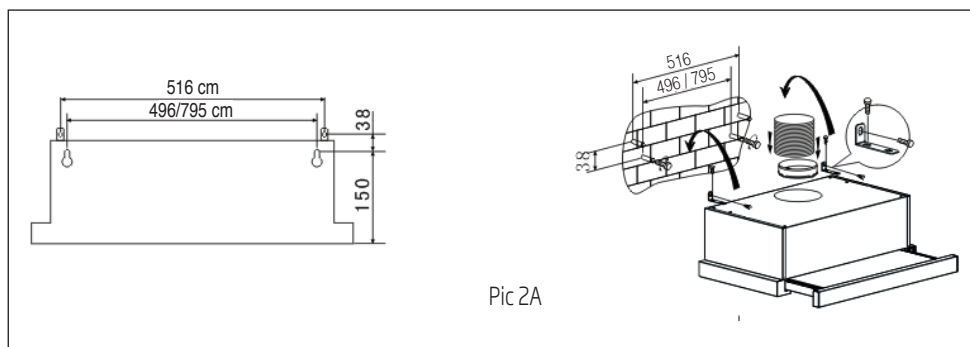
- The cooker Range Hoods should be placed at a distance of 65-75 cm from the cooking surface for best effect. (See Pic 1)



Pic 1

Way one: (See Pic 2A)

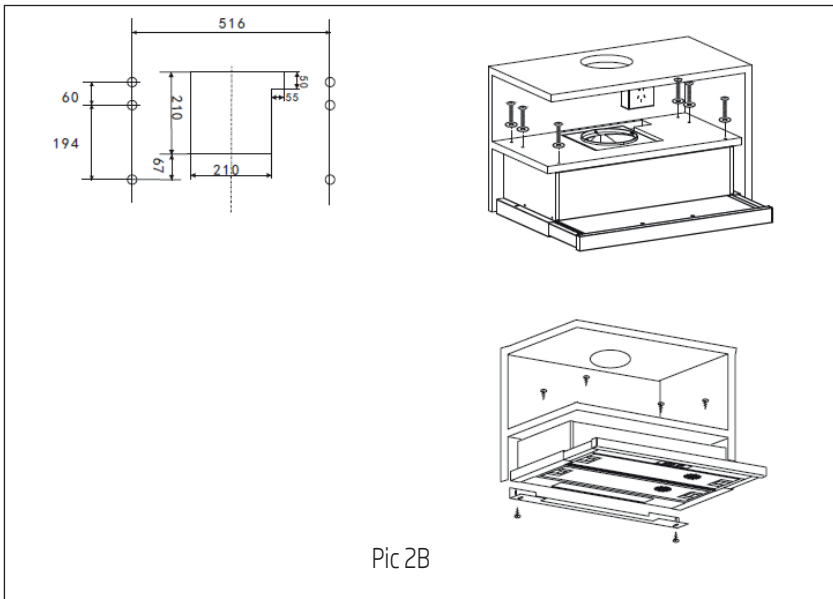
- To install onto the wall drill 2 holes of $\varnothing 8\text{mm}$ on a suitable place according with the centre distance of hole in the back of the cooker Range Hood.
- Insert the wall plugs into the holes.
- Insert the screws (ST4x30mm) into the wall plugs and tight the screws.
- Put up the cooker Range Hood onto the screws (ST4x30mm).
- Fix outlet on the Range Hood, remove the Aluminum Filter then fix the screws (ST4x30mm).
- Put the one air outlet and extensible pipe onto the cooker Range Hood. (the extensible pipe is optional not supplied)



Pic 2A

3 Installation Instructions

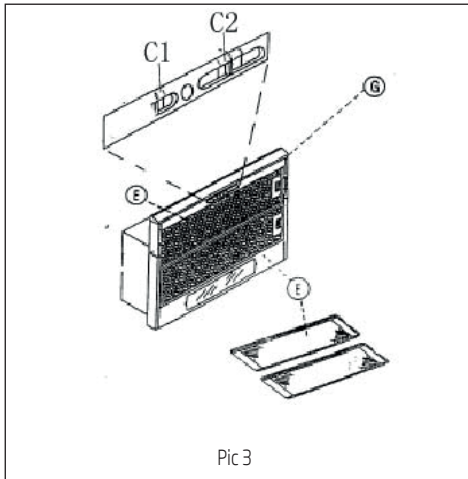
- Drill 6 holes of 4mm diameter at the bottom of the hanging cupboard
- Put the air outlet on the cooker Range Hood, then install the cooker Range Hood on the bottom of the cupboard, tighten the Range Hood with enclosed 6 screws (M4x35mm) and 6 screws ($\Phi 4 \times 20 \times 1$).
- Install the adjusted board on the bottom of the Range Hood in order to keep out the gap between Range Hood back and cupboard. Fix adjustment board with enclosed 2 screws (ST3x12mm).



4 Operation

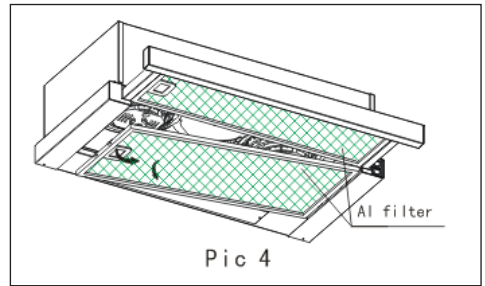
Connect the plug into the power.

- Slide the switch C2 from '0' to position '1' for low speed.
- Slide the switch C2 from '1' to position '2' for mid speed.
- Slide the switch C2 from '2' to position '3' for high speed.
- Switch off the fan by sliding the switch 'C2' from position '1' to '0'.
- Slide the switch C1 from '0' to '1' to turn on the lights. Slide the switch C1 from '1' to '0' to turn off the lights.

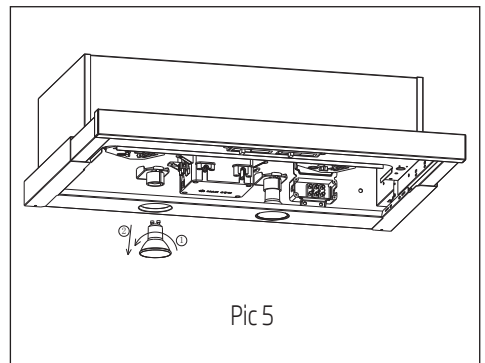


5 Use and Maintenance

- It is recommended to operate the appliance prior to cooking.
- There shall be adequate ventilation of the room when the cooker Range Hood is used at the same time as appliances burning gas or other fuels(not applicable to appliances that only discharge the air back into the room).
- It is recommended to leave the appliance in operation for 15 minutes after cooking is terminated in order to completely eliminate cooking vapours and odours.
- If the appliance is not used, please turn off.
- Don't have flame under the cooker Range Hood.
- Don't use or stop use if the appliance is damaged especially the supply cord and the case.
- If the supply cord is damaged, it must be replaced by qualified electrician in order to avoid a hazard.
- Don't immerse the appliance in liquid.
- The exhaust air must not be discharge into a flue which is used for exhausting fumes from appliance burning gas or other fuels.
- Regulations concerning the discharge of air have to be fulfilled.
- The details concerning the method and frequency of cleaning.
- In order to prevent fire hazard, it is recommended to clean the filter every of 2 months by carrying out the followings:
 - Unplug before cleaning, then remove the filters from the cooker Range Hood and wash them in a solution of water and neutral liquid detergent, leaving to soak.
 - Rinse thoroughly with warm water and leave to dry.
 - The filters may also be washed in the dishwasher.
- The aluminum panels may alter in colour after several washes. This is not cause for customer complaint nor replacement of panels.



- Clean the surface of the cooker Range Hood regularly using cloth moistened with methylated spirits or non-abrasive liquid detergent (Note: DO NOT attempt to clean the motor or other internal components/parts).
- Replace filters approximately every 4 months.
- There is a fire risk if cleaning is not carried out in accordance with the instruction.
- Replace the lamp pls see pic 5.

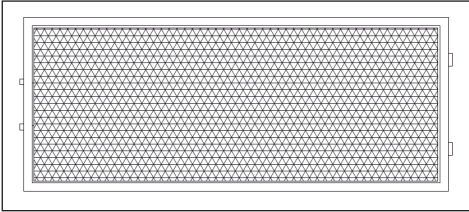


- Switch the unit off and pull out the plug first.
- Wait until the light bulb is cooled down before replacement.
- Take out the aluminium filter and screw out the bulb from the inside of the cooker hood.
- Replace with same type of bulb.

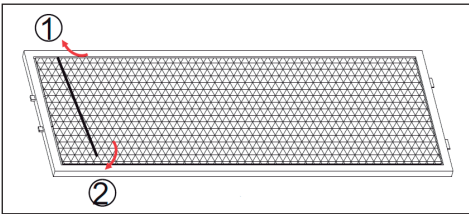
5 Use and Maintenance

5.1 Carbon filter

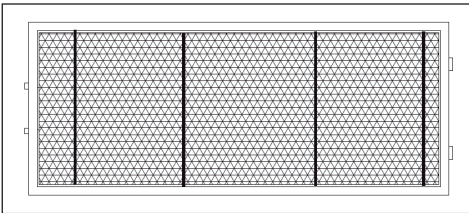
1. Put the charcoal filter foam on the back of the outer aluminium cassette filter.



2. Use an iron wire to insert in the side of aluminium filter and press the charcoal filter foam.



3. Use other three iron wires in the same method to press the charcoal filter foam flat. (4 pcs iron wires for BRH60TW), (5 pcs iron wires for BRH90TW)



4. The same method is used to install the charcoal filter foam for inner aluminium filter with same quantity of iron wires.



When the activated carbon filter installed, the suction power will be lowered.

6 Trouble shooting

Problem	Possible cause	Solution
The extractor fan ceases to function.	The kitchen hood feed cable is not connected to the network. There is no electrical current in the network.	Connect feed cable to the network. Check that the network has electrical current.
Insufficient suction power.	Did not set to the right speed and/or air outlet being blocked.	If the kitchen hood is set up for recirculation, check that the charcoal filter is still effective. If the kitchen hood is set up for extraction, check that the ducting and outlets are not blocked. The kitchen is adequately vented to allow the entry of fresh air.
Hood has switched off during operation.	The safety cut-out device has been tripped.	Turn off the hood and then wait for the device to reset. If the hood has been installed below the heights indicated in the installation instructions, the motor will cut-out frequently which may damage the hood.
The lamps do not light up.	The lamps are burnt out. The lamps are loose.	Change the lamps. Tighten the lamps.
Oil leakage.	One-way valve and air ventilation entrance not tightly sealed. Leakage from the connection of U-shaped section and cover.	Seal with glue on the one-way valve. Seal with soap or paint on U-shaped section.
Hood shakes during operation.	Filter is damaged. The body or motor tightly hung.	Replace the filter as a damaged filter causes shaking. Lock the motor tightly or fix the body tightly, respectively.



Beko Manufacturers Guarantee

Congratulations on purchasing a quality Beko product. Beko automatically provide you with a 2 year Manufacturers Guarantee, covering parts and labour for servicing within the geographical limits of Australia and New Zealand.

General Terms and Conditions

For Australian Consumers

This guarantee is an extra benefit and does not affect your legal rights. Our goods come with guarantees that cannot be excluded under the Australian Consumer Law. You are entitled to a replacement or refund for a major failure and for compensation for any other reasonably foreseeable loss or damage. You are also entitled to have the goods repaired or replaced if the goods fail to be of acceptable quality and the failure does not amount to a major failure.

For New Zealand Consumers

This guarantee is an extra benefit and does not affect your legal rights. Nothing in this guarantee purports to modify or exclude the conditions, guarantees and undertakings, and other legal rights, under the New Zealand Consumer Guarantees Act and other laws, except in those circumstances contemplated by section 43(2) of the New Zealand Consumer Guarantees Act.

Beko Guarantee

The Beko Manufacturers' Guarantee provides additional protection for your Beko Product, and it identifies a preferred approach to resolving product claims which will allow for a quick and simple process for all parties, subject to our terms and conditions below.

To enable us to assist you in the most expedient way please contact us by phoning the Toll free number (relative to your country of residence) as listed below. Please ensure you refer to your user manual and in particular the section headed "**Recommended**

Solutions for the problems" before phoning.

The commencement date of this guarantee starts on the day of purchase and proof of purchase must be supplied to the Beko Service Centre prior to commencement of any guarantee work.

Terms and Conditions

Beko Australia and New Zealand Pty Ltd guarantees to the original purchaser to repair, or at its option replace, without charge to the owner for any part which is not of 'Acceptable quality' within two years of date of purchase.

"No Lemon Guarantee" * if the product fails more than 2 times during the Guarantee period due to the same type failure caused by the same part, we will automatically replace the product with an equivalent product free of charge.

Food Spoilage*

If your product is a fridge or freezer, we will reimburse you for food which due to a valid fault as per our guarantee is spoilt; reimburse you as per the benefits below:

Up to 200 Litre	\$100.00
>200 Litre - 400 Litre	\$200.00
>400 Litre - 600 Litre	\$300.00
>600 litre	\$350.00

* Subject to a valid claim under the terms and conditions of this Guarantee

To be eligible for this Guarantee the product must be purchased from an Authorised Reseller in Australia or New Zealand.

Effective:- 06/07/2015

What is not covered under this Guarantee

1. Any service calls in which the problem is found not to be caused or related to any defect in the Product. In this instance, the cost of the service call will be charged to you. Examples (but not limited too) of no product fault listed below:
 - a. Correcting the installation, e.g. leveling of product, adjustment of drain
Crossed or kinked hoses, leakage of hoses if incorrectly fitted, removal of transit bolts (front loading washers), noises due to water hammer and/or power supplies.
 - b. Replacing fuses or correcting house power wiring or house plumbing issues
 - c. Failure due to incorrect set up or requiring instructions normally covered in user manual.
 - d. Blocked pumps, removal of foreign objects/substances from dishwashers, washing Machine and the like. e.g. socks, bra wires, food scraps, dirt etc.
 - e. Normal noise or vibration
 - f. Infestation of pests, insects or vermin

2. This Guarantee does not cover damage caused by:
 - a. Misuse or abuse of the Beko Product
 - b. Accidental damage of any kind
 - c. Rust and Corrosion where the product is located within a corrosive environment
 - d. Discoloration of burners or trivets on gas cooktops or chrome surrounds
 - e. Incorrect operation or not following the operation instructions as stated in the user manual.
 - f. Improper installation
 - g. Failure to clean or improper cleaning
 - h. Use of incorrect non – compliant electrical or gas connections
 - i. External sources including but not limited to electrical interference, power surges or voltage fluctuations.
 - j. Any loss caused by civil commotion
 - k. Any loss caused from extreme events of nature including but not limited to, flood, cyclone, severe storm and earthquake
 - l. Use of non-genuine/authorised parts
 - m. Any repair or other work carried out on the Beko product other than by an authorised Beko Service Personnel.

3. This Guarantee does not cover costs associated with replacing and servicing of consumable parts. E.g. lamps & bulbs, filters

This Guarantee has been designed for Products used in normal domestic environment. Our products are not designed for commercial use. Any commercial use may affect this Product's Guarantee. Service under this Manufacturer's Guarantee is provided by the Beko Australia and New Zealand Authorised Repairer.

The Guarantee is provided by Beko Australia and New Zealand Pty Ltd (ABN: 49 152 055 162) of 55 Blanck Street, Ormeau, QLD Australia 4208, P O Box 354 Ormeau QLD Australia 4208.

In Australia if you need assistance.... Toll Free 1300 282 356

Email: Beko.care@Beko.com

In New Zealand if you need assistance.... Toll Free 0800 69 2356

Email: Beko.care@Beko.com

Effective:- 06/07/2015

