

BFC60VMX1

60cm Stainless Steel Vitroceramic Upright Cooker



Multidimension Cooking



Durable Oven Door



Catalytic Panels



Flexible Pull Out Shelf System



Easy to Remove Side Racks

Main Features

Oven feature:	Multifunctional Cooking
Gross Volume:	82 Litres
Net Volume:	72 Litres
Detachable Side Racks:	5 Shelf Levels
Standard Telescopic Shelving:	1 Level Fully Extendable
Display Timer:	LCD
Key Lock:	Yes
Multidimensional Cooking:	Yes
Splashback:	Yes
Cooling Fan:	Yes
Max. Temperature:	270°C
Total Power Consumption:	8.2 kW
Fuse:	40 A

Design

Colour:	Stainless Steel
Door Activated Illumination:	1 x Round (Rear)
Layers of Door Glass:	4
Inner Door Type:	Full Glass (removable)
Bottom Compartment Type:	Metal Drawer

Cooktop Zones

Hob Type:	4 Vitroceramic
Rear Left Zone:	1.2 kW (Ø140mm)
Rear Right Zone:	1.2 kW (Ø180mm)
Front Left Zone:	0.7/1.7 kW (Ø120/Ø180 mm) Duo
Front Right Zone:	1.2kW (Ø140mm)

Ean Code:	8690842147760
Manufacturers Warranty:	2 Years + 3 Years by Registration

Functions

Number of Functions	8
	Conventional Cooking
	Fan Assisted Cooking
	Bottom Heating
	Fan Heating
	Electric Grill
	Low Grill with Fan
	Defrost Function for Oven
	3D Cooking

Cleaning

Catalytic Liner on Back Wall:	Yes
Catalytic Liner on Side Wall:	Yes

Accessories

Cooking Tray (Standard):	1
Cooking Tray (Deep):	1
Wire Rack Insert:	1
Shelves:	2

Dimensions & Weights

Installation Dimensions:	see diagram page 2
Unpacked Height:	896 mm (excl. splashback)
Unpacked Width:	593 mm
Unpacked Depth:	605 mm (excl. knobs & handle)
Unpacked Weight:	55 kg
Packaged Height:	1025 mm
Packaged Width:	660 mm
Packaged Depth:	700 mm
Packaged Weight:	57 kg

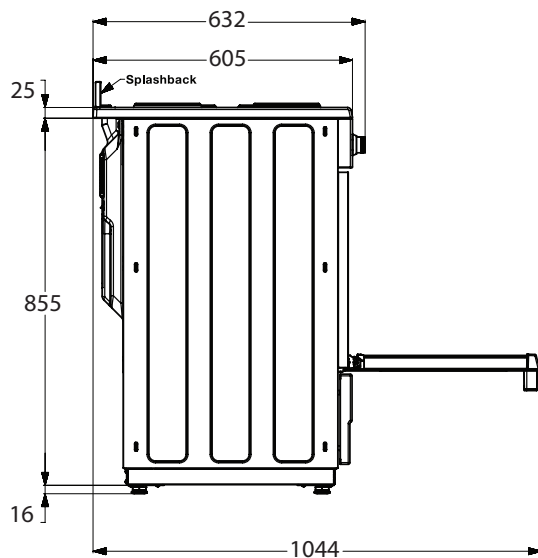
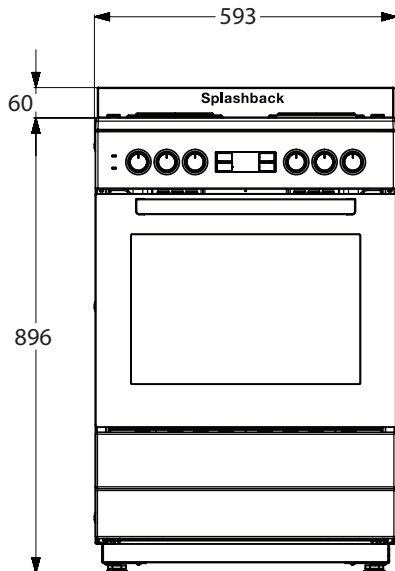


beko

Official partner of the *everyday*

BFC60VMX1

60cm Stainless Steel Vitroceramic Upright Cooker



(values in mm)



beko

Official partner of the *everyday*