

**BB06852SDX****85 L Multifunction Aeroperfect™ 60 cm Built-in Oven with Steam Assisted Cooking****Main Cavity Gross Volume**  
85 L**Number of Functions**  
15**Oven Feature**  
Aeroperfect™**Cleaning Feature**  
Steam Cleaning**Main Features**

Oven feature:	Aeroperfect™ Technology Steam Assisted Cooking
Gross Volume:	85 Litres
Net Volume:	72 Litres
Detachable Side Racks:	5 Levels
Standard Telescopic Shelving:	1 Levels Full Extension (level 3)
Control Type:	LED Display, Touch Control
Cooling Fan:	Yes
Pre-Heat Booster Function:	Yes
Key Lock:	Yes
Max. Temperature:	280°C
Total Power Consumption:	3.4 kW
Fuse:	min. 16 A

**Design**

Colour:	Black Glass, Dark Stainless Steel
Illumination:	1 x Round (Top)
Layers of Door Glass:	3
Inner Door Type:	Full Glass (removable)
Soft Close Door:	Yes

**Cleaning**

Steam Cleaning Function:	Yes
Catalytic Liners on Back Wall:	Yes
Easy Clean Inner Door Glass:	Yes

**Accessories**

Standard Telescopic Shelving:	1 Levels Full Extension (level 3)
Cooking Tray (Standard):	1
Cooking Tray (Deep):	1
Tray Rack (Standard):	1
Wire Shelf for Side Racks:	2

**Functions**

Number of Functions	15
Top and Bottom Heating	Steam Assisted Cooking
Fan Assisted Top & Bottom	Fan Heating
Bottom Heating	3D Cooking
Grill with Fan	Full Grill
Eco Fan Heating	Low Grill
Pizza Function	Low Temperature Cooking
Warm Keeping	Defrost Function
Steam Cleaning	

**Dimensions & Weights**

Built-in dimensions (cabinet):	See diagram page 2
Height:	590 mm
Width:	560 mm
Depth:	550 mm
Built-in dimensions (under bench):	See diagram page 2
Height:	600 mm
Width:	560 mm
Depth:	550 mm
Unpacked Weight:	36.6 kg
Packaged Height:	655 mm
Packaged Width:	660 mm
Packaged Depth:	660 mm
Packaged Weight:	41 kg

Sku:	7779320216
Ean Code:	8690842424199
Manufacturers Warranty:	2 Years + 3 Years by Registration
Launch Date:	October 2021

# BB06852SDX

## 85 L Multifunction Aeroperfect™ 60 cm Built-in Oven Steam Assisted Cooking



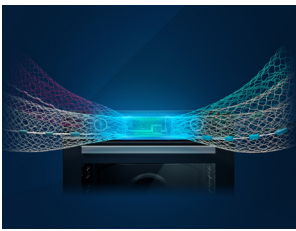
**Aeroperfect™ Technology** - Bake perfect cupcakes, roast a delicious Sunday dinner or use the grill to make a hearty but healthy breakfast. Aeroperfect™ technology provides uniform hot air distribution throughout the oven and minimises temperature fluctuation, ensuring even and precise cooking every time.



**Steam Assisted Cooking** - Home-made pastries should be better, but getting that perfectly flaky crust is a challenge. Our Steam Assisted Cooking function helps you cook delicious pastries and bread to be crispy on the outside and soft and fluffy on the inside.



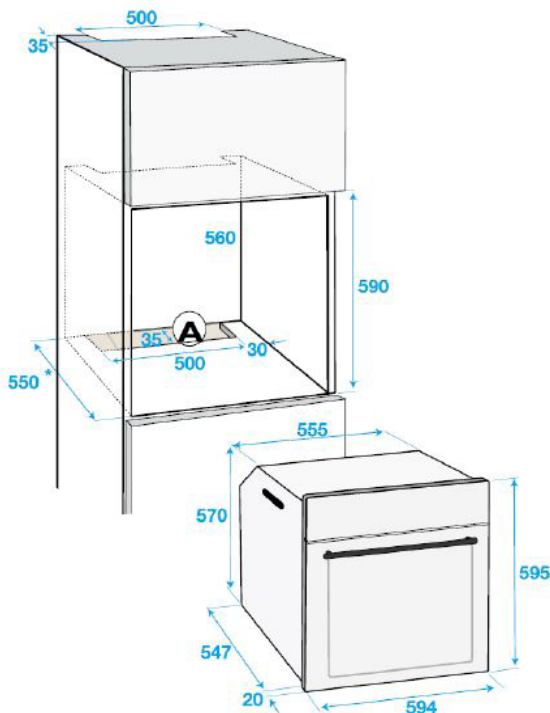
**Large Capacity** - We understand how busy your home life can get and how important it is to be able to cook more food in one go. Our large capacity ovens come in a huge 85 litres gross capacity, so you can cook everything you need for your family & friends.



**Recycled Net** - In the production of these ovens, in the parts of door décor plastic, display cover 5% fishing net waste & 65% industrial thread waste are used. And the inner display cover's 50% is made with industrial thread waste. Beko used 71 tons\* of recycled fishnets and industrial thread waste in 2019 & 2020, transforming them into the new materials that go into our RecycledNet™ ovens.

\*Parent company production in 2019 & 2020

### Cabinet Dimensions



### Under Counter Dimensions

