

# BB06851PDX 85 L Multifunction 60 cm Built-in Oven with Pyro



**Main Cavity  
Gross Volume**  
85 L

**Number of  
Functions**  
9

**Oven Feature**  
Multifunction

**Cleaning  
Feature**  
Pyro Self  
Cleaning

## Main Features

Oven feature:	Multifunctional Cooking
Gross Volume:	85 Litres
Net Volume:	75 Litres
Detachable Side Racks:	5 Levels
Control Type:	Digital Touch Button Display/Knob
Grill Type:	Electric
Cooling Fan:	Yes
Max. Temperature:	295°C
Total Power Consumption:	2.6 kW
Fuse:	16 A

## Design

Colour:	Black Glass, Dark Stainless Steel
Illumination:	1 x Round (Top)
Layers of Door Glass:	3
Inner Door Type:	Full Glass (removable)

## Cleaning

Pyro Self Cleaning:	Yes
---------------------	-----

## Accessories

Standard Telescopic Shelving:	1 Level (Standard)
Cooking Tray (Standard):	1
Cooking Tray (Pastry):	1
Tray Rack (Standard):	1
Wire Shelf for Side Racks:	2

## Functions

Number of Functions	9
Conventional Cooking	Bottom Heating
Fan Assisted Top/Bottom	Eco Fan Heating
3D Function	Full Grill
Fan Heating	Interior Light
Pyro Cleaning	

## Other Functions

Steam Add Cooking

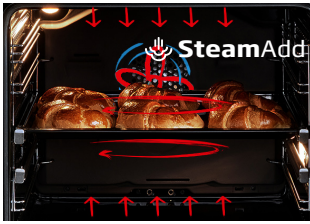
## Dimensions & Weights

Product external dimensions:	595 (H) x 594 (W) x 567 (D) mm
Built-in dimensions (cabinet):	See Diagram Page 2
Height:	590 mm
Width:	560 mm
Depth:	550 mm
Built-in dimensions (under bench):	See Diagram Page 2
Height:	600 mm
Width:	560 mm
Depth:	550 mm
Unpacked Weight:	32.7 kg
Packaged Height:	655 mm
Packaged Width:	660 mm
Packaged Depth:	660 mm
Packaged Weight:	35.0 kg

SKU:	7724086727
Ean Code:	8690842424212
Manufacturers Warranty:	2 Years + 3 Years by Registration
Launch Date:	April 2021

# BB06851PDX

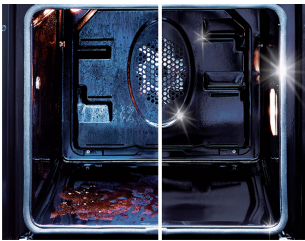
## 85 L Multifunction 60 cm Built-In Oven with Pyro



**Multifunctional Cooking** - Bake perfect cupcakes, roast a delicious Sunday dinner or use the grill to make a hearty but healthy breakfast. Our multi-function oven provides you with the ultimate in cooking flexibility by combining a fan and conventional oven, a grill and a host of different cooking functions including SteamAdd to ensure pastries are fluffier and meat is juicier.

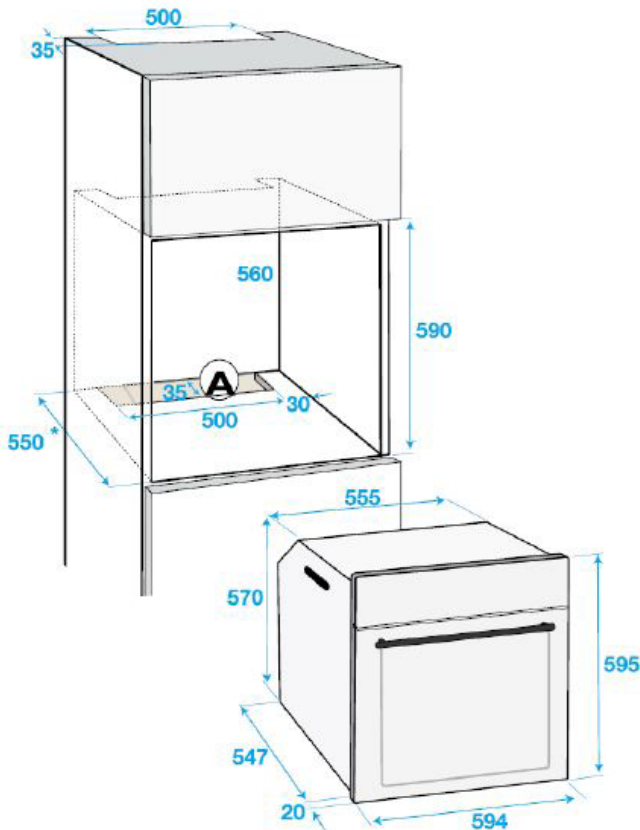


**Large Capacity** - We understand how busy your home life can get and how important it is to be able to cook more food in one go. Our large capacity ovens come in a huge 85 litres gross capacity, so you can cook everything you need for your family & friends.



**Pyrolytic Self Cleaning** - Save time in the kitchen with our ovens that clean themselves at the touch of a button. The oven heats up to a super-hot 480°C, burning away dirt and grease, and then all you have to do is use a damp cloth to wipe clean.

Cabinet Dimensions



Under Counter Dimensions

