

CD6SG1 GAS COOKTOP 600MM



Features

- Stainless steel
- Cast iron trivets
- Flame failure safety to all burners
- Electric ignition
- One piece stainless steel hob
- Front position control knobs

Gas Burner Output

- 1 x triple wok burner 14 Mj/h NG 12.75 Mj/h LPG
- 2 x semi rapid burner 6 Mj/h NG 6 Mj/h LPG
- 1 x auxiliary burner 4.5 Mj/h NG 4.3 Mj/h LPG

Natural Gas: 30.5Mj/h

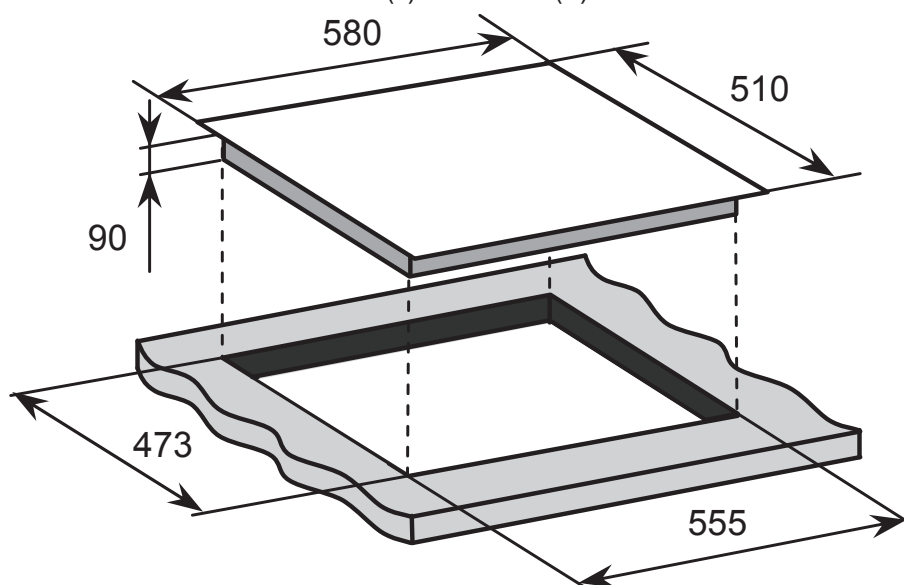
Propane Gas LPG : 29.5Mj/h

Power: 220 - 240 volt/50Hz 10amps

Dimensions & Installation

Product Dimensions: 580mm (L) x 510mm (D) x 90mm* (H) *(incl. 28.5mm front frame)

Cutout Dimensions: 555mm (L) X 473mm (D)



Dimensions are a guide only refer to the instruction manual and website for full instructions

warranty - customer service

Warranty

2 years Parts and Labour

Customer Service

Our Nationwide Service Team can be contacted on our Toll Free Customer Service Number 1800 805 300 or by logging on to <http://customersupport.hapl.com.au/>

HOME APPLIANCES

20 Carlotta Street
Artarmon NSW 2064
T: 02 9958 3111
F: 02 9958 3555
E: info@hapl.com.au

www.arcappliances.com.au