

# MODEL AUM90



## 90CM CONCEALED UNDERMOUNT RANGEHOOD



24 MONTH WARRANTY



90CM



LED LIGHTS



PUSH BUTTON



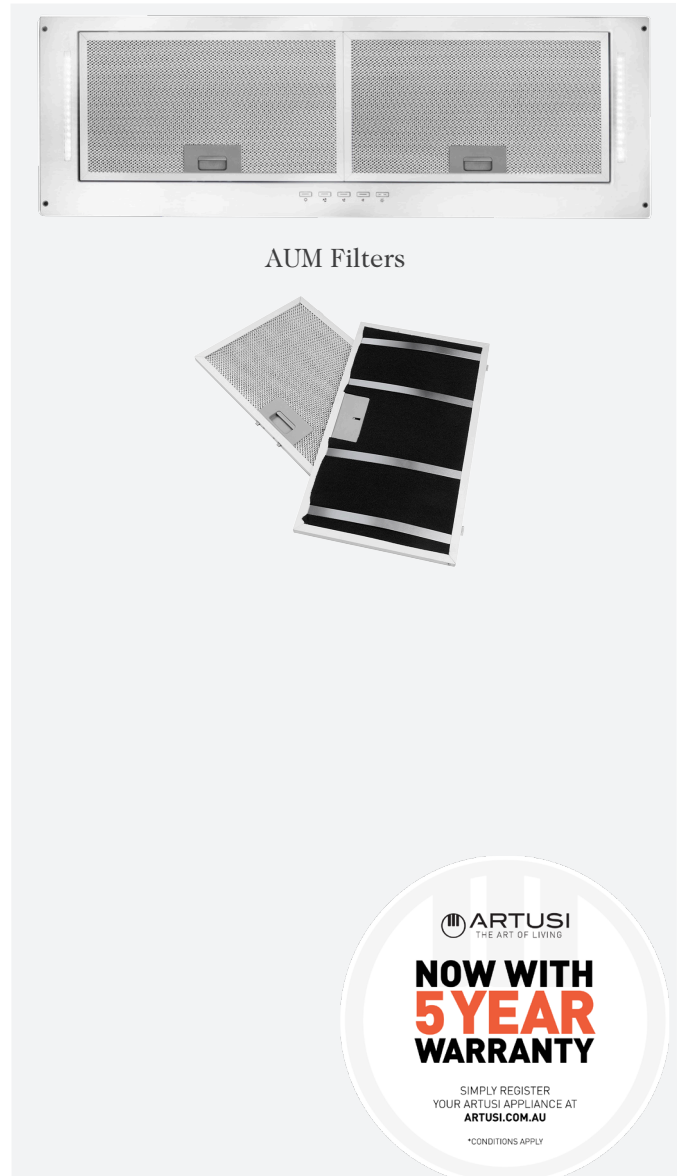
10AMP POWER CONNECTION

## PRODUCT INFORMATION

### FEATURES

- Stainless steel
- aluminium filters
- carbon filter included
- 3 speeds
- push-button control
- 750m<sup>3</sup>/hr airflow
- 2 x 1.5W LED lights
- 39.5 dBA (power level 1)
- 56.5 dBA (power level 3)
- Ø150mm ducting

This unit comes standard with a charcoal filter mesh integrated with the aluminium filters for use in installations where it is used in recirculating mode. If the unit is installed in ducted mode the black charcoal foam sheet should be removed from the filter. The charcoal filters cannot be cleaned or recycled and must be replaced etc. Replacements are available from [spares@eurolinx.com.au](mailto:spares@eurolinx.com.au).



EAN 9347777000484

AR21102020

### DISCLAIMER

Eurolinx PTY LTD, is continually seeking ways to improve the design specifications, aesthetics and production techniques of its products. As a result alterations to our products and designs take place continually. Whilst every effort is made to produce information and literature that is up to date, this brochure should not be regarded as an infallible guide to the current specifications, nor does it constitute an offer for the sale of any particular product. Product dimensions indicated in our literature is indicative only. Actual product only should be used to define dimension cut outs. Distributors, and retailers are not agents of Eurolinx and are not authorized to bind Eurolinx by any express or implied undertaking or representation.

**FOLLOW US ON:** [instagram.com/artusi\\_appliances](https://www.instagram.com/artusi_appliances)

[www.linkedin.com/company/eurolinx-pty-ltd-t-a-llve/](https://www.linkedin.com/company/eurolinx-pty-ltd-t-a-llve/)

Australia National Telephone Number 1300 (694 583) New Zealand Telephone Number 64 3 344 5913  
 Artusi showroom hours: Tuesday to Friday - 9am-5pm, Saturday - 10am-4pm, Sunday and Monday - closed  
 \* Melbourne showroom hours: Tuesday to Saturday - 10am-4pm

[artusi.com.au](http://artusi.com.au)

**NSW & ACT (Head Office)**  
 48-50 Moore Street  
 Leichhardt  
 F 02 8569 4699

**QLD**  
 1/42 Cavendish Road  
 Coorparoo  
 F 07 3397 0850

**WA & NT**  
 Unit 10/55 Howe Street  
 Osborne Park  
 F 08 9201 9188

**New Zealand**  
 PO Box 11,160  
 Sockburn Christchurch  
 F 03 344 5906

# MODEL AUM90



## 90CM CONCEALED UNDERMOUNT RANGEHOOD



24 MONTH WARRANTY



90CM



LED LIGHTS

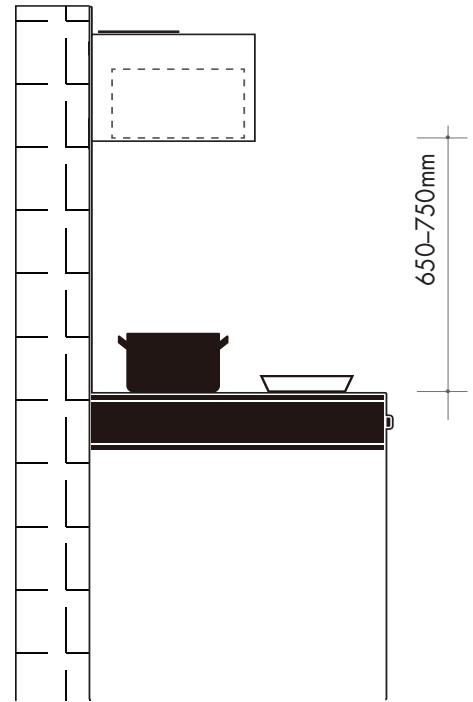
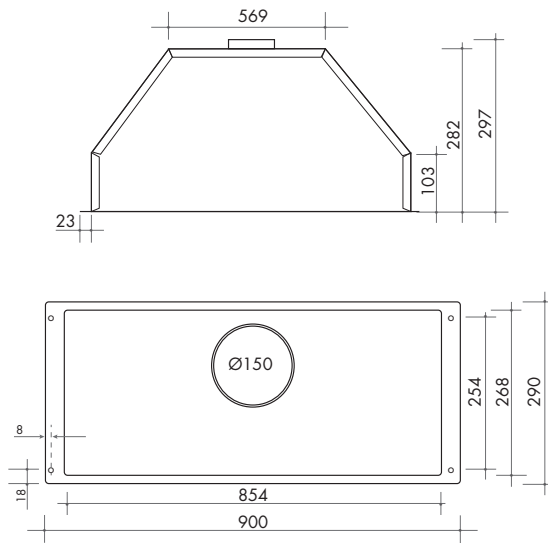


PUSH BUTTON



10AMP POWER CONNECTION

### TECHNICAL DIAGRAM



	AIRFLOW (m <sup>3</sup> /hr)	NOISE (dB)	PRESSURE (Pa)	POWER OUTLET (W)
LOW	308	39.5	242	90
MEDIUM	414	46.6	297	110
HIGH	619	56.5	380	189

NB: drawings are not to scale — they are to be used for detailed installation instructions, please refer to user guide.

**EAN 9347777000484**

AR21102020

#### DISCLAIMER

Eurolinx PTY LTD, is continually seeking ways to improve the design specifications, aesthetics and production techniques of its products. As a result alterations to our products and designs take place continually. Whilst every effort is made to produce information and literature that is up to date, this brochure should not be regarded as an infallible guide to the current specifications, nor does it constitute an offer for the sale of any particular product. Product dimensions indicated in our literature is indicative only. Actual product only should be used to define dimension cut outs. Distributors, and retailers are not agents of Eurolinx and are not authorized to bind Eurolinx by any express or implied undertaking or representation.

AUM90 90cm concealed undermount rangehood  
10 AMP electrical connection, 3-pin plug and cord  
150W motor

**FOLLOW US ON:** [instagram.com/artusi\\_appliances](https://www.instagram.com/artusi_appliances)

[www.linkedin.com/company/eurolinx-pty-ltd-t-a-lve/](https://www.linkedin.com/company/eurolinx-pty-ltd-t-a-lve/)

Australia National Telephone Number 1300 (694 583) New Zealand Telephone Number 64 3 344 5913  
Artusi showroom hours: Tuesday to Friday - 9am-5pm, Saturday - 10am-4pm, Sunday and Monday - closed  
\* Melbourne showroom hours: Tuesday to Saturday - 10am-4pm

[artusi.com.au](http://artusi.com.au)

**NSW & ACT (Head Office)**  
48-50 Moore Street  
Leichhardt  
F 02 8569 4699

**QLD**  
1/42 Cavendish Road  
Coorparoo  
F 07 3397 0850

**WA & NT**  
Unit 10/55 Howe Street  
Osborne Park  
F 08 9201 9188

**New Zealand**  
PO Box 11,160  
Sockburn Christchurch  
F 03 344 5906