



APPLIANCES FOR LIVING

**AUM60, AUM75, AUM90,
AUM60NS, AUM90NS
AUM60B, AUM90B
ODEDATION MANIIAI**

 **ARTUSI**

Congratulations, you are now the proud owner of an ARTUSI cooking appliance. Thank you for purchasing ARTUSI and welcome to the ARTUSI Family.

This instruction manual has been specially created to inform you of the full range of features your ARTUSI appliance has to offer and serves as an introduction to getting the very best out of your ARTUSI appliance.

We present detailed information on each of the features your ARTUSI appliance consists of. Once you have read this section you will be able to choose the most appropriate settings for your appliance when cooking different types of food.

We ask you to read the instructions in this booklet very carefully as this will allow you to get the best results from using your appliance. KEEP THE DOCUMENTATION OF THIS PRODUCT FOR FUTURE REFERENCE.

TO REGISTER YOUR PRODUCT WITH ARTUSI, PLEASE FILL OUT THE WARRANTY CARD AT THE END OF THIS BOOKLET AND POST IT TO: **REPLY PAID 83617**
LEICHHARDT NSW 2040

Dear Artusi Customer, please read this user manual carefully before using the product and, keep it permanently at your disposal.

Note: This user manual is prepared for more than one model. Some of the features specified in this Manual may not be available on your appliance.

All our appliances are only for domestic use, not for commercial use. Products marked with (*) are optional.

“THIS APPLIANCE SHALL BE INSTALLED IN ACCORDANCE WITH THE REGULATIONS FORCE AND ONLY USED IN A WELL VENTILATED SPACE. READ THE INSTRUCTIONS BEFORE INSTALLING OR USING THIS APPLIANCE”

“Conforms with the WEEE Regulations.”

IMPORTANT SAFETY INFORMATION

****Read the complete manual carefully before installation****

Warnings:

TO REDUCE THE RISK OF FIRE, ELECTRICAL SHOCK OR PERSONAL INJURY, PLEASE OBSERVE THE FOLLOWING:

1. Installation and electrical work must be done by a qualified person in accordance with all applicable codes and standards
2. If the supply cord is damaged, it must be replaced by the manufacturer, its service agent or a similarly qualified person to avoid a hazard. Any modifications that may be required to the electrical system for the installation of the range hood must only be made by qualified electricians.
3. Before servicing or cleaning unit, switch power off at the service panel. Lock panel to prevent power from being switched on accidentally.
4. Use this unit only in the manner intended by the manufacturer.
5. Sufficient air is needed for combustion and exhausting of gases through the chimney of fuel burning equipment to prevent back drafting. Follow the heating equipment manufacturer's guidelines and safety standards, and the local code authorities.
6. When cutting or drilling into wall or ceiling, be carefully to do not damage existing electrical wiring and other hidden utilities.
7. Ducted fans must always be vented to the outdoors.
8. To reduce the risk of fire, use only metal ductwork.
9. This unit must be grounded.

TO REDUCE THE RISK OF A RANGE TOP GREASE FIRE:

1. Never leave surface units unattended at high settings. Boil-overs cause smoke and greasy spillovers that may ignite. Heat oils slowly on low or medium settings.
2. Always turn hood ON when cooking at high heat.
3. Clean ventilating fans frequently. Grease should not be allowed to accumulate on fan or filter.
4. Use proper pan size. Always use cookware appropriate for the size of the surface element.



WARNING



TO REDUCE THE RISK OF INJURY TO PERSONS IN THE EVENT OF A RANGE TOP GREASE FIRE, OBSERVE THE FOLLOWING:

1. SMOTHER FLAMES with a close-fitting lid, cookie sheet or metal tray, and then turn off the burner. If the flames do not go out immediately, evacuate and call the fire department.
2. NEVER PICK UP A FLAMING PAN. – You may be burned.
3. DO NOT USE WATER, including wet dishcloths or towels – a violent steam explosion will result.
4. Use an extinguisher ONLY if:
You know you have a Class ABC extinguisher and you already know how to operate it.
The fire is small and contained in the area where it started.
The fire department is being called.
You can fight the fire with your back to an exit.

CAUTION

1. To reduce the risk of fire and to properly exhaust air, be sure to duct air outside. Do not vent exhaust air into spaces within walls or ceiling or into attics, crawl spaces or garages.
2. Take care when using cleaning agents or detergents.
3. **Avoid using food products that produce flames under the range hood.**
4. The range hood must only be used for the exhaust of cooking fumes in home kitchens. The manufacturer disclaims all liability for any other use of the appliance.
5. Two installers are recommended because of the large size and weight of this hood.
6. Use with approved cord-connection kit only.
7. Please read specification label on product for further information and requirements.

INSTALLATION INSTRUCTIONS

Before You Start...

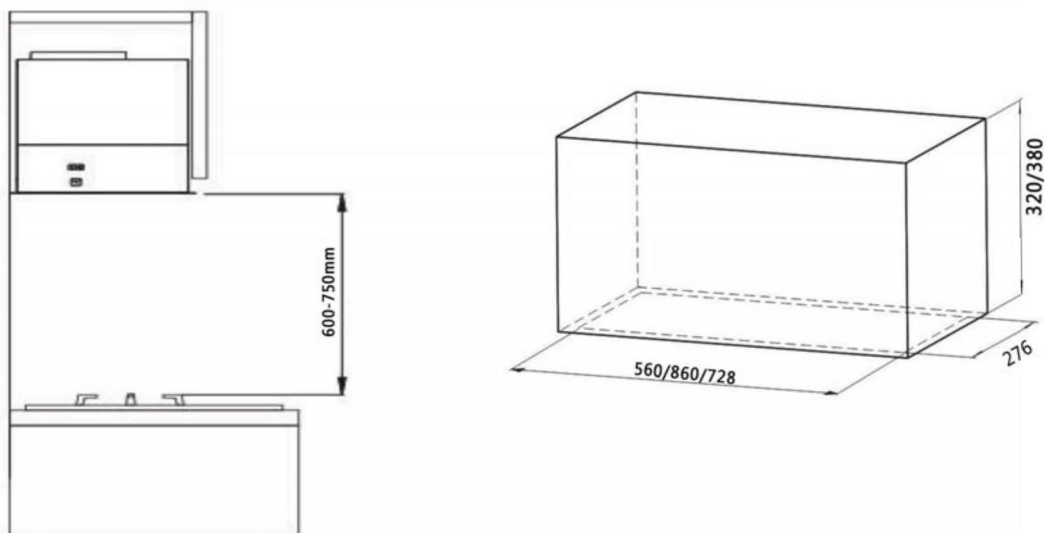
1. Read this manual carefully and completely.
2. The range hoods conform to related appliances standards. Please check your local building codes for any additional requirements.
3. The appliance has been manufactured as class I, therefore ground connection is necessary. The range hood must be installed so that the plug is easily accessible.

Unpacking

Remove the packaging with the product in place. Cut off the packing ribbons and carefully cut open the packaging (do not cut too deeply), remove the packaging. Check that the product is free from transport damage. Any damage shall be reported immediately to the carrier or seller. Damage, faults and missing parts must be reported immediately to the seller

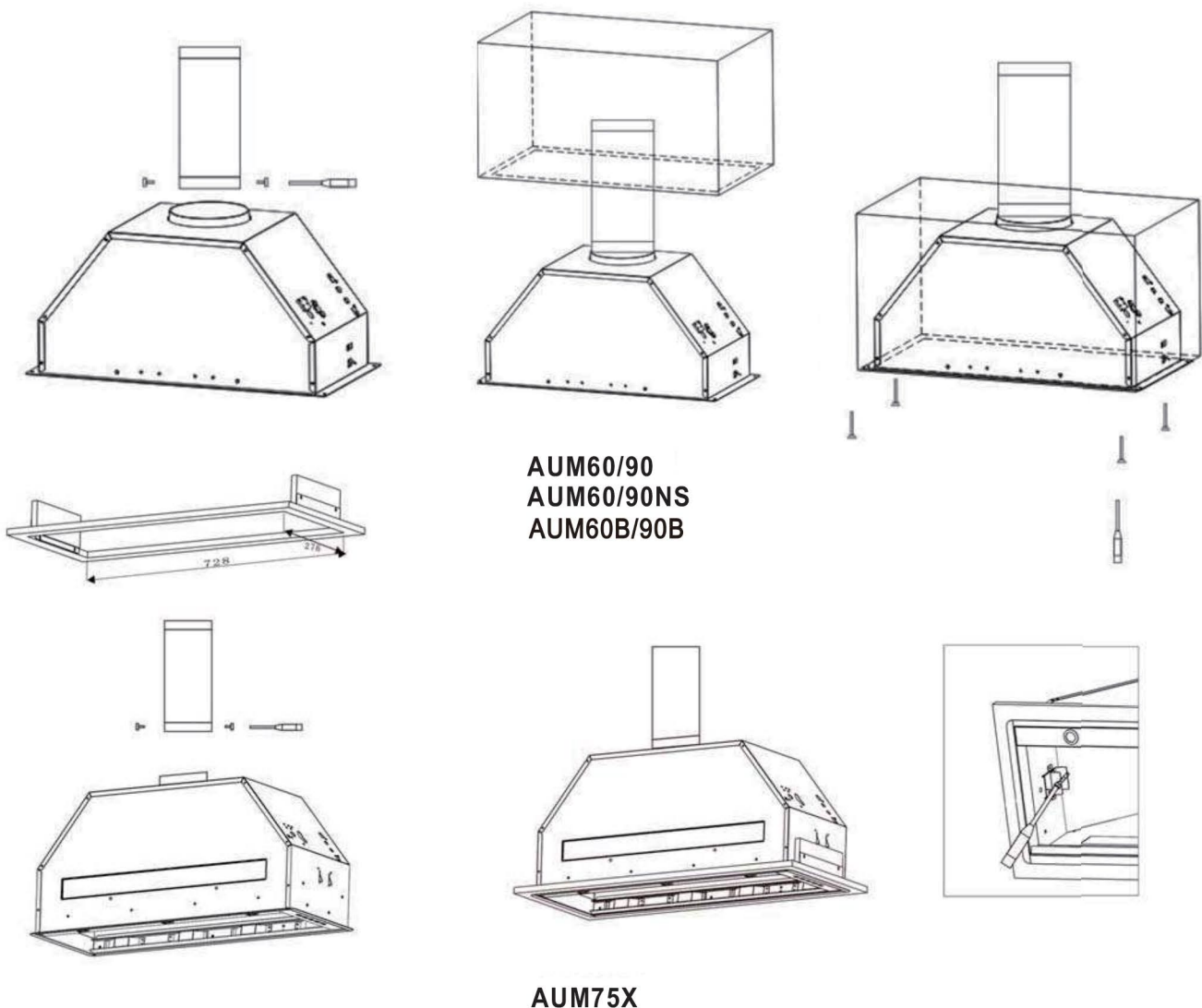
Installation preparation

1. The range hood should be mounted at a distance of 600mm from the cooking surface for safety & optimum performance (If the instructions for installation of the gas hob specify a greater distance, this has to be taken into account.)
2. Make sure the inner cabinet size appropriate for installing the range hood.



Fixing to the ceiling cabinet

1. Before mounting the hood, plug in and test all functions for proper operation.
2. Removed the filters from the bottom of the hood to pre-vent damage during the installation.
3. Connected duct tube (if included with the range hood) to the top of the range hood using duct tape on all seals.
4. With assistance, hold the hood temporary in position ensuring the bottom is above the minimum clearance for the cooking surface. Mark on the cabinet the holes for the four mounting screws.
5. Drill the holes at the distances indicated.
6. Mount the hood on the cabinet screws and adjust for appropriate position. When the hood has been adjusted, secure unit by tightening screws.



REMEMBER!

- The distance between the top of the hob and the lowest part of the cooker hood must be at least 600mm.**
- If a two-part connection tube is used, the lower section must sit outside the upper section.**
- Do not connect the cooker hood exhaust to a duct used to circulate hot air or vent steam from another appliance.**
- Always use protective gloves when installing the appliance!**

USE AND CARE INSTRUCTIONS

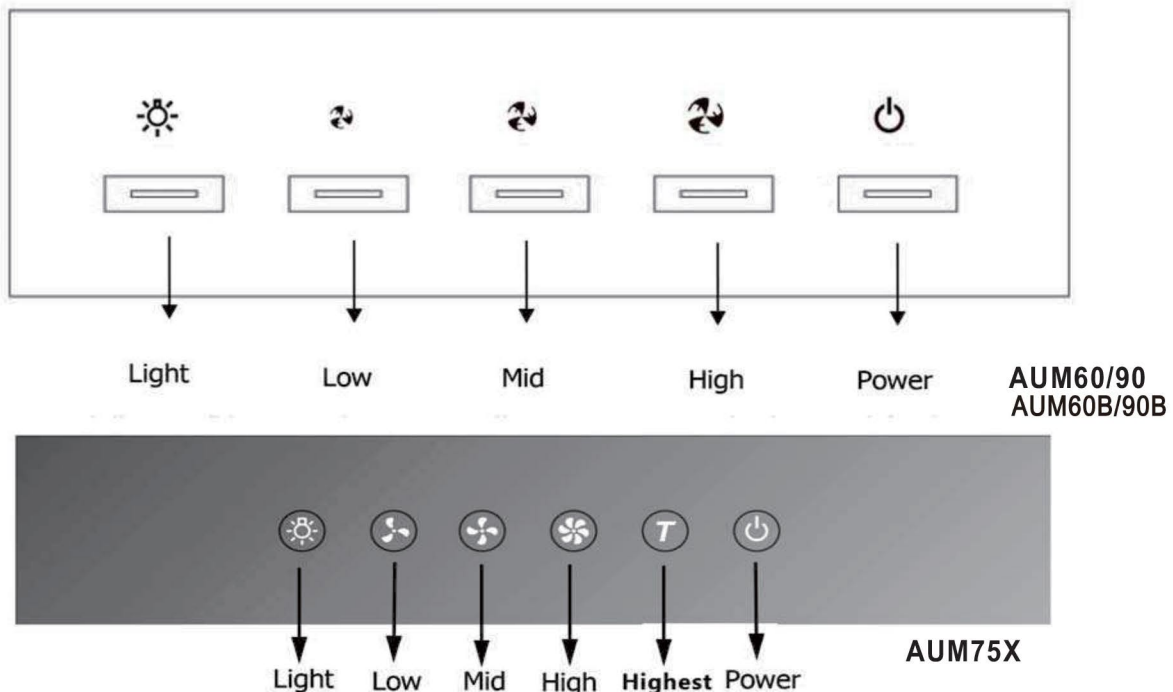
Operations

1. For optimum performance in removing cooking odors, it is recommended that you turn on your range hood prior to cooking and you leave it operating for 15 min-utes after cooking.
2. Clean the surfaces of the range hood regularly using a non-abrasive detergent.
3. The anti-grease filters capture the grease particles sus-pended in the air. They will accumulate grease and dirt depending on the frequency of the use of your range/cook top.
4. In order to prevent a fire hazard, it is recommended that you clean the filters at least every 2 months

- WARNINGS:** Do not attempt to remove the fil-ters while the Range Hood is operating.
- Disconnect the electrical plug prior to any maintenance.
- This appliance is not intended for use by young children or infirm persons without supervision.
- There should be adequate ventilation in the room when the Range Hood is used at the same time as other fuel burning appliances.

DESCRIPTION OF THE SWITCH

Electric switch



- Push "Power" button, the motor will start running at high speed (Indicating lights in "Power" and "High" buttons are on).
- Push "Light" button, the lights will be on (Indicating light in "Light" button is on).
- Push "Low" button, the motor will run at low speed (Indicating lights in "Power" and "Low" buttons are on).
- Push "Mid" button, the motor will run at middle speed (Indicating lights in "Power" and "Mid" buttons are on).
- Push "High" button, the motor will run at high speed (Indicating lights in "Power" and "High" buttons are on).
- Push "Highest" button, the motor will run at high speed (Indicating lights in "Power" and "Highest " buttons are on).
- Push "Power" button will stop the motor running-at whichever speed.

AUM60/90NS

The lights and motor work at the same time when plug in the power.

CARE AND CLEANING

General

Regular maintenance is required to ensure that the cooker hood functions properly. This is especially true of the grease and charcoal filters.

Clean the fan and other surfaces of the cooker hood regularly with a cloth dipped in denatured alcohol or a non-abrasive liquid cleaner.

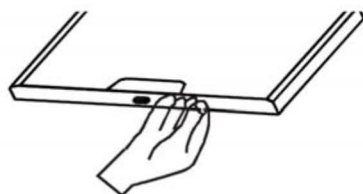
The charcoal filter cleans the circulating air in the room. Such filters cannot be cleaned or recycled and must be replaced at least every four months. The speed at which the charcoal filter becomes saturated depends on how often the fan is used, the type of food that is cooked and how often the grease filter is cleaned.

To prevent the risk of fire and to ensure that the cooker hood functions properly, the grease filter must always be cleaned as instructed below when the display indicates the need or at least every two months.

Cleaning the grease filter

Remove the filter from the cooker hood and clean it in a solution of water and neutral cleaning liquid. Leave the filter to soak in the solution for a while.

- Rinse thoroughly with hot water and leave the filter to dry.
- The filter can also be cleaned in a dishwasher. The color of the grease filter may change after a few washes. This is normal.



NB:

If you clean the grease filter in the dishwasher: load only the grease filter and no other items as food particles from dishes can fasten in the filter.

- DO NOT let dirt build up on the hood***
- DO NOT use steel wool or steel brushes to clean the hood***
- DO NOT leave salt solutions, disinfectants, bleaches or cleaning*** compounds on the hood for any length of time as they may damage the stainless steel. Rinse after use with clean water and wipe dry with a clean cloth.

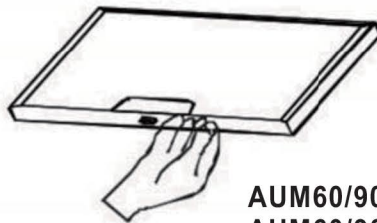
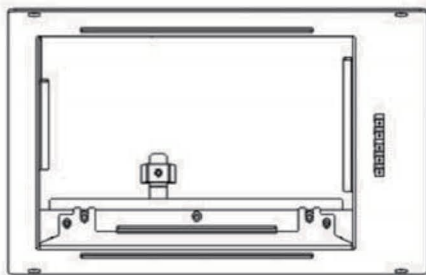
Replacing the LED lights

Depending on your model of hood, there are two possible types of lighting, halogen and LED. The illumination is designed for use during cooking and not for prolonged general illumination of your kitchen. Prolonged use of the lights may reduce the life time of the LED lights.

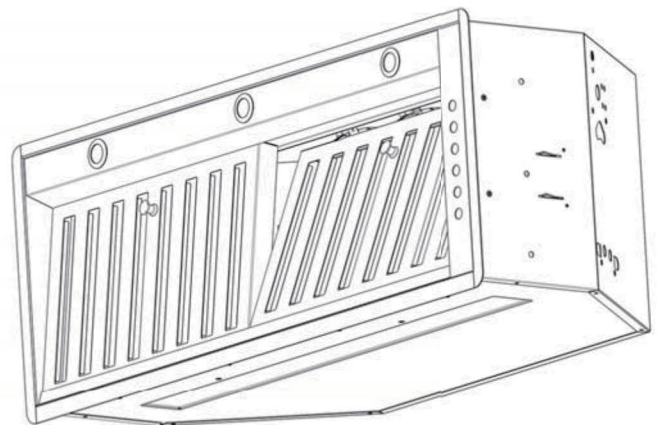
WARNING: Do not touch or change lights while the hood is operating.

Use only the same LED lights as the original specification. Re-placement lights are available through the dealers.

1. Take off the filters from hood.

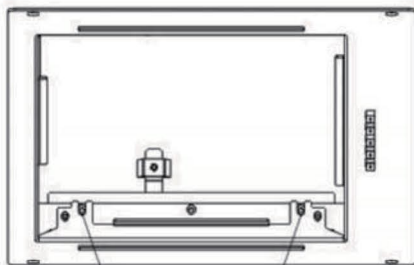


AUM60/90
AUM60/90NS
AUM60B/90B



AUM75X

2. Take off the two screws and replace the LED lights by reversing the steps.



Take off two screws

NB:

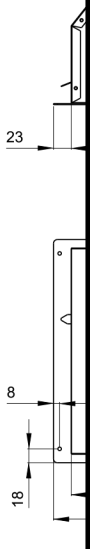
The light is only meant for use during cooking and not for illuminating the surroundings for longer periods. If the light is used for longer periods, this will considerably shorten the burn time of the lights.

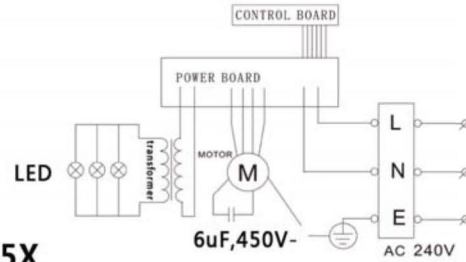
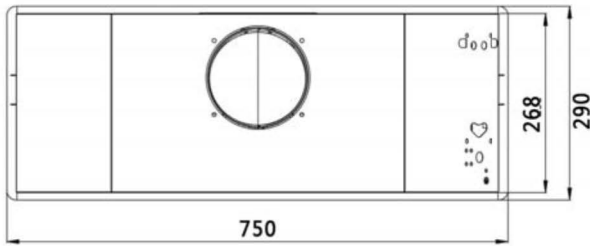
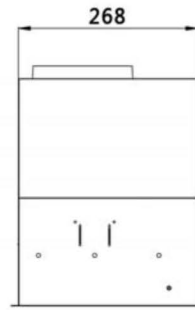
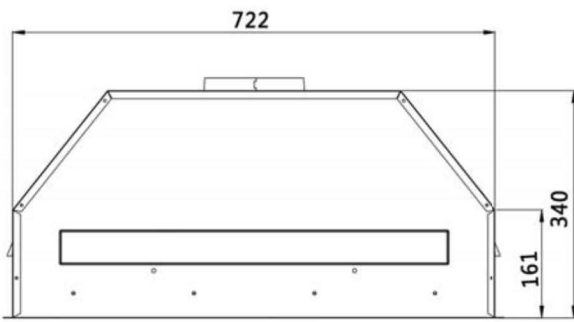
Recycling

This appliance complies with European Community directive 2002/96/EC, Waste Electrical and Electronic Equipment (WEEE). By ensuring that this product is recycled responsibly, the user helps prevent possible negative impact on the environment.

NB:

Dispose of this product responsibly. Irresponsible disposal can result in negative environmental impact or personal injury.





AUM75X

Trouble Shooting Guide

Problem	Possible Reason	Solution
Hood doesn't turn on.	No electrical supply.	Check the plug is connect-ed. Check the plug is connect-ed.
	Power cord is damaged	Contact technician service
Poor Airflow	Aluminum grease filters clogged	Clean the filters and replace when dry.
	Charcoal filters clogged. Re-circulating mode only.	Replace the charcoal filters.
Hood is vibrating	Hood is not secured in place	Check the installation of hood.Tighten mounting screws.
Motor running but no air flow	Butterfly valve jammed.	Contact technician service
Motor stops after a few minutes	High temperature safety device activated.	The kitchen is not sufficient-ly ventilated.
	The hood is installed too near the cooking surface.	The hood must be at least 61cm (24") from the stove
Strong cooking smell.	Fan speed too low	Use one of the higher set-tings.
	Charcoal filters not installed.	n re-circulating mode, char-coal filters must be installed.
Oil dripping onto stove.	Aluminum grease filter satu-rated.	Wash the aluminum grease filters
Whirring sound	Something in contact with fan blade.	Contact technician service
Lights are working but fan isn't		Contact technician service
Fan is working but lights are not		Contact technician service

GUARANTEE AND SERVICE!

Before booking a service call, read the Trouble Shooting Guide above , for more information on guarantee and service conditions, please contact local dealer.



Worldwide Appliances Pty Limited

A.B.N. 45868077422

Distributed by Eurolinx Pty Ltd

Office:

48-50 Moore Street, Leichhardt N.S.W 2040

Post:

Locked Bag 3000, Annandale, N.S.W 2038

P: 1300 694 583

WARRANTY REGISTRATION

Your ongoing satisfaction with your artusi product is important to us. We ask

Dishwashers - Freestanding, Fully Integrated, Semi Integrated and built-in. All Wine coolers. All Dryers. Freestanding Cookers - Gas and Electric Models in 50cm, 54cm and 60cm Widths
Portable Appliances* - Benchtop Models and Portable Gas Models

2. What is not Covered by the Warranty.

The Warranty does not apply if an artusi product is defective by a factor other than a defect arising in the manufacture of the artusi product, including but not limited to:

(a) damage through misuse (including failure to maintain, service or use with proper care), neglect, accident or ordinary wear and tear (including deterioration of parts and accessories and glass breakage);

4. Time for Claim under the Warranty

You must make any claim under this Warranty within twenty eight (28) days after the occurrence of an event which gives rise to a claim pursuant to the Warranty, by booking a service call on the telephone number below.

5. Proof of Purchase

Customers must retain proof of purchase in order to be eligible to make a warranty claim in respect of an artusi product.

6. Claiming under the Warranty

Customers will bear the cost of claiming under this Warranty unless Worldwide Appliances determines the expenses are reasonable, in which case the customer must claim those expenses by providing written evidence of each expense to Worldwide Appliances at the address on the Warranty Registration Card.

7. Statutory Rights

(a) These terms and conditions do not affect your statutory rights.

(b) The limitations on the Warranty set out in this document do not exclude or limit the application of the consumer guarantees set out in the Act or any other equivalent or corresponding legislation in the relevant jurisdiction where to do so would:

(i) contravene the law of the relevant jurisdiction; or

(ii) cause any part of the Warranty to be void.

(c) Worldwide Appliances excludes indirect or consequential loss of any kind (including, without limitation, loss of use of the artusi product) and (other than expressly provided for in these terms and conditions) subject to all terms, conditions and warranties implied by custom, the general law, the Act or other statute.

(d) The liability of Worldwide Appliances to you

for a breach of any express or non-excludable implied term, condition or warranty is limited at the option of Worldwide Appliances to:

(i) replacing or repairing the defective part of the artusi product;

(ii) paying the cost of replacing or repairing the defective part of the artusi product;

(iii) replacing the artusi product; or

(iv) paying the cost of replacing the artusi product.

(e) Our goods come with guarantees that cannot be excluded under the Australian Consumer Law. You are entitled to a replacement or refund for a major failure and for compensation for any other reasonably foreseeable loss or damage. You are also entitled to have the goods repaired or replaced if the goods fail to be of acceptable quality and the failure does not amount to a major failure.

8. Defects

Any part of an artusi product deemed to be defective and replaced by Worldwide Appliances is the property of Worldwide Appliances. Worldwide Appliances reserves the right to inspect and test artusi products in order to determine the extent of any defect and the validity of a claim under the Warranty.

All warranty service calls must be booked via the customer care department. The team can be contacted on 1 300 85 64 11 option 1 or customercare@eurolinx.com.au

01082016



Warranty Card tear off

WARRANTY REGISTRATION CARD
01052016

Please complete and send to ARTUSI at: REPLY PAID 83617
LEICHHARDT NSW 2040

Last Name:		First Name:
Address:		
State:	Postcode:	Email:
Home Phone:		Mobile:
Purchase Date: / /		(Please attach proof of purchase to validate warranty)

MODEL NUMBER	SERIAL NUMBER <small>(if you cannot locate the serial number please call ARTUSI on 1300 856 411)</small>
1	
2	
3	
4	

01082016

