

90CM FREESTANDING COOKER

MODEL AFGR935CR



MADE
IN EUROPE



24 MONTH
WARRANTY



90CM



BELL
TIMER



KNOB
CONTROL



GAS
BURNERS



WOK
BURNER



FLAME FAILURE
DEVICE



INTEGRATED
IGNITION



COOKING
FUNCTIONS



COOKING
FUNCTION



65L OVEN
CAPACITY



31L OVEN
CAPACITY



TRIPLE
GLAZING



DOUBLE
GLAZING

Main Oven Oven & Grill Both Ovens Grill Oven & Grill Tall Oven



PRODUCT INFORMATION

OVEN FEATURES

- Cream
- 3 door electric oven with gas hob
- analogue clock & timer
- decorative black splash back
- 40–240°C thermostat (all ovens)
- easy-to-clean inner door
- cavity cooling fan (main oven)
- left side opening door (main oven)
- right side opening door (tall oven)

FUNCTIONS

- main oven: 6 multi-function cooking modes: fan assist, top + bottom element, top element, bottom element, grill, fan grill
- tall oven: fan + rear heating element + light for cleaning
- grill: electric static grill, 1400W grill power

SAFETY

- triple-glazed glass door (grill + main oven)
- double glazed glass door (secondary tall cavity oven)

CAPACITY & INTERIOR

- easy clean enamel interior
- 1 x cavity light 15-25W in each compartment
- Main Oven:
 - cavity capacity- 59.7 litres USE-ABLE
 - cavity size: 45.5W x 41D x 32H cm
 - 4 shelf positions
- Tall Oven:
 - cavity capacity- 70 litres USE-ABLE
 - cavity size: 27W x 43D x 61H cm

DISCLAIMER

Eurolinx PTY LTD, is continually seeking ways to improve the design specifications, aesthetics and production techniques of its products. As a result alterations to our products and designs take place continually. Whilst every effort is made to produce information and literature that is up to date, this brochure should not be regarded as an infallible guide to the current specifications, nor does it constitute an offer for the sale of any particular product. Product dimensions indicated in our literature is indicative only. Actual product only should be used to define dimension cut outs. Distributors, and retailers are not agents of Eurolinx and are not authorized to bind Eurolinx by any express or implied undertaking or representation.

- Grill:
 - Cavity capacity- 32 litres USE-ABLE
 - Cavity size: 45.5W x 41D x 17.5H cm
 - 3 shelf positions

ACCESSORIES

- Main oven: deep baking tray & grill insert, 1x wire oven rack & 1x telescopic rack
- Tall oven: deep baking tray, 2 x wire racks & 1 x telescopic rack
- Grill: 1 x grill insert

COOKTOP FEATURES

- black cooking surface
- centre WOK placement
- single-piece pressed hob for easy cleaning
- deep pressed hob

BURNERS

- 5 gas burners: auxiliary, x 2 semi-rapid, rapid & Wok
- cast-iron trivets, burner caps & WOK cradle
- Total gas consumption: 40.8 Mj/h

SAFETY

- flame failure safety device fitted to each burner
- automatic electronic ignition



EAN 9347777005045

AR210323

FOLLOW US ON:  [/artusi_kitchen_laundry_outdoor](https://www.instagram.com/artusi_kitchen_laundry_outdoor)

Australia National Telephone Number 1300 MYILVE (694 583) New Zealand Telephone Number 0508 458 369
ILVE showrooms are open daily from 9am-5pm and Saturdays 10am-4pm

[artusi.com.au](https://www.artusi.com.au)

NSW & ACT (Head Office)
48-50 Moore Street
Leichhardt
F 02 8569 4699

Victoria
2r/131 Church Street
Hawthorn

QLD
1/42 Cavendish Road
Coorparoo

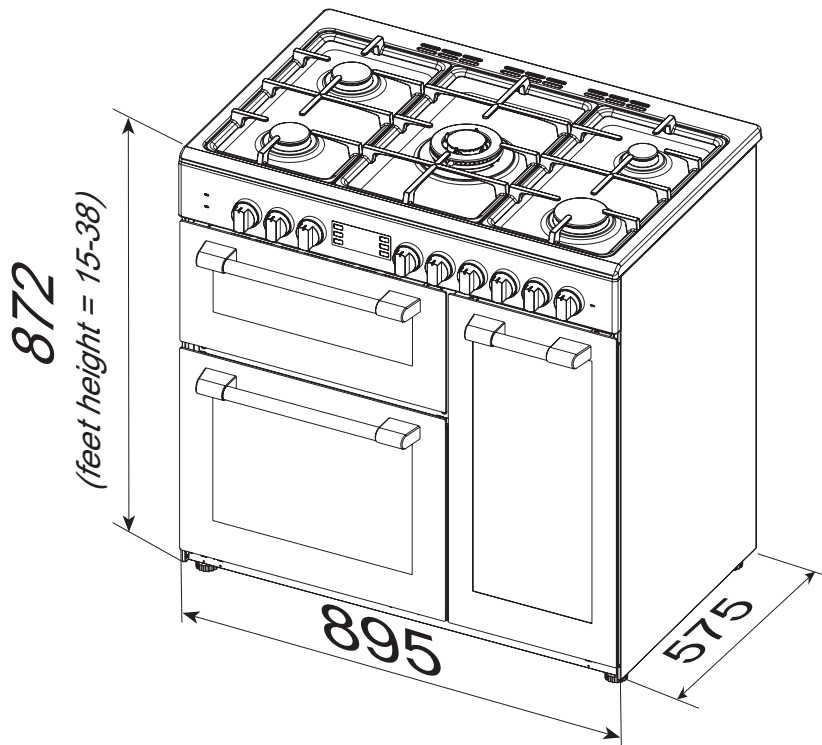
WA & NT
Unit 10/55 Howe Street
Osborne Park

New Zealand
PO Box 11,160
Sockburn Christchurch

90CM FREESTANDING COOKER

MODEL AFGR935CR

TECHNICAL DIAGRAM



NB: drawings are not to scale — they are to be used for detailed installation instructions, please refer to user guide.

EAN 9347777005045

AR210323

DISCLAIMER

Eurolinx PTY LTD, is continually seeking ways to improve the design specifications, aesthetics and production techniques of its products. As a result alterations to our products and designs take place continually. Whilst every effort is made to produce information and literature that is up to date, this brochure should not be regarded as an infallible guide to the current specifications, nor does it constitute an offer for the sale of any particular product. Product dimensions indicated in our literature is indicative only. Actual product only should be used to define dimension cut outs. Distributors, and retailers are not agents of Eurolinx and are not authorized to bind Eurolinx by any express or implied undertaking or representation.

AFGR935CR 90cm Freestanding Cooker
Dimensions: 900 wide x 600 deep x 900
high
Terminal box

FOLLOW US ON:  [/artusi_kitchen_laundry_outdoor](https://www.instagram.com/artusi_kitchen_laundry_outdoor)

Australia National Telephone Number 1300 MYILVE (694 583) New Zealand Telephone Number 0508 458 369
ILVE showrooms are open daily from 9am-5pm and Saturdays 10am-4pm

artusi.com.au

NSW & ACT (Head Office)
48-50 Moore Street
Leichhardt
F 02 8569 4699

Victoria
2r/131 Church Street
Hawthorn

QLD
1/42 Cavendish Road
Coorparoo

WA & NT
Unit 10/55 Howe Street
Osborne Park

New Zealand
PO Box 11,160
Sockburn Christchurch