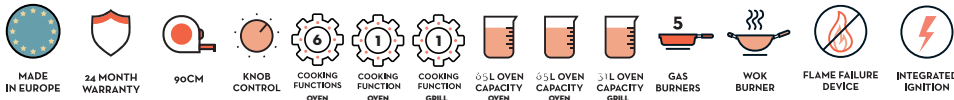


MODEL AFGR935B

ARTUSI

THE ART OF LIVING

90CM FREESTANDING COOKER



PRODUCT INFORMATION

GRILL

- electric static grill
- 1400W grill power
- cavity capacity- 32 litres USE-ABLE
- cavity size: 45.5W x 41D x 17.5H cm
- triple glazed glass door
- 3 shelf positions
- 1 x grill insert

SECONDARY OVEN (TALL CAVITY)

- fan + rear heating element + light for cleaning
- right side opening door
- cavity capacity- 70 litres USE-ABLE
- cavity size: 27W x 43D x 61H cm
- double glazed glass door
- 10 shelf positions
- deep baking tray, 2 x wire racks & 1 x telescopic rack

MAIN OVEN

- 6 multi-function cooking modes: fan assist, top + bottom element, top element, bottom element, grill, fan grill
- left side opening door
- cavity capacity- 59.7 litres USE-ABLE
- cavity size: 45.5W x 41D x 32H cm
- easy-to-clean inner door
- triple glazed glass door
- 4 shelf positions
- cavity cooling fan
- deep baking tray & grill insert, 1x wire oven rack & 1x telescopic rack

OVERALL FEATURES

- 3 Door Electric Oven with Gas Hob
- available colour: matt black
- easy clean enamel interior
- analogue clock & timer
- 1 x cavity light 15-25W in each compartment
- decorative black splash back
- 40-240°C thermostat (all ovens)



HOB

- 5 gas burners: auxiliary, x 2 semi-rapid, rapid & Wok
- cast-iron trivets, burner caps & WOK cradle
- black cooking surface
- centre WOK placement
- single-piece pressed hob for easy cleaning
- deep pressed hob
- automatic electronic ignition
- flame failure safety device fitted to each burner
- Total gas consumption: 40.8 Mj/h

EAN 9347777003669

AR21092020

DISCLAIMER

Eurolinx PTY LTD, is continually seeking ways to improve the design specifications, aesthetics and production techniques of its products. As a result alterations to our products and designs take place continually. Whilst every effort is made to produce information and literature that is up to date, this brochure should not be regarded as an infallible guide to the current specifications, nor does it constitute an offer for the sale of any particular product. Product dimensions indicated in our literature is indicative only. Actual product only should be used to define dimension cut outs. Distributors, and retailers are not agents of Eurolinx and are not authorized to bind Eurolinx by any express or implied undertaking or representation.

FOLLOW US ON: [instagram.com/artusi_appliances](https://www.instagram.com/artusi_appliances) www.linkedin.com/company/eurolinx-pty-ltd-t-a-lve/

Australia National Telephone Number 1300 (694 583) New Zealand Telephone Number 64 3 344 5913
 Artusi showroom hours: Tuesday to Friday - 9am-5pm, Saturday - 10am-4pm, Sunday and Monday - closed
 * Melbourne showroom hours: Tuesday to Saturday - 10am-4pm

[artusi.com.au](https://www.artusi.com.au)

NSW & ACT (Head Office)
 48-50 Moore Street
 Leichhardt
 F 02 8569 4699

VIC & SA
 1211 Toorak Road
 Camberwell
 F 03 9809 2155

QLD
 1/42 Cavendish Road
 Coorparoo
 F 07 3397 0850

WA & NT
 Unit 10/55 Howe Street
 Osborne Park
 F 08 9201 9188

New Zealand
 PO Box 11.160
 Sockburn Christchurch
 F 03 344 5906

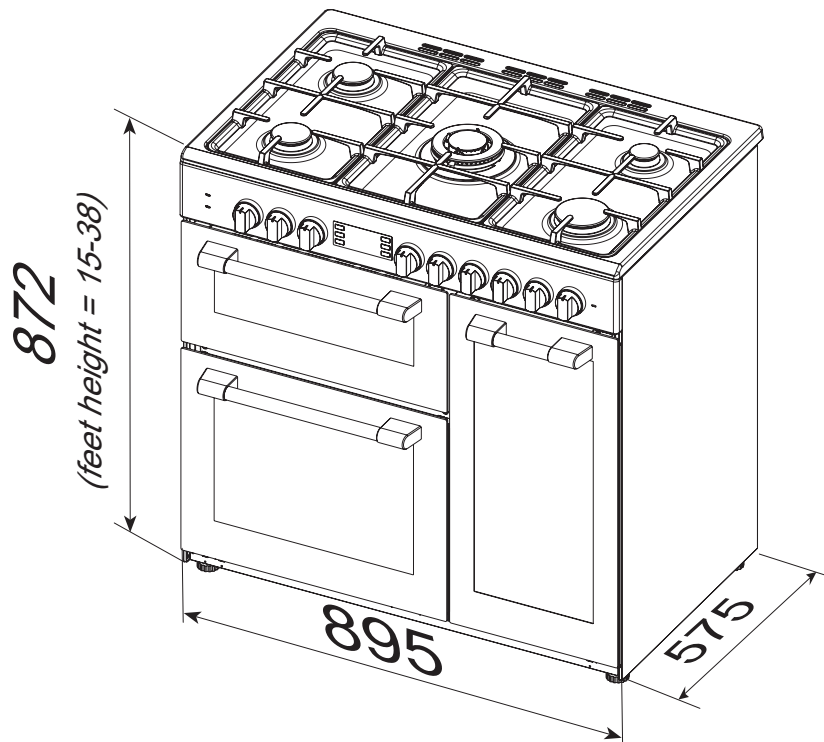
MODEL AFGR935B



90CM FREESTANDING COOKER



TECHNICAL DIAGRAM



NB: drawings are not to scale — they are to be used for detailed installation instructions, please refer to user guide.

EAN 9347777003669

AR21092020

DISCLAIMER

Eurolinx PTY LTD, is continually seeking ways to improve the design specifications, aesthetics and production techniques of its products. As a result alterations to our products and designs take place continually. Whilst every effort is made to produce information and literature that is up to date, this brochure should not be regarded as an infallible guide to the current specifications, nor does it constitute an offer for the sale of any particular product. Product dimensions indicated in our literature is indicative only. Actual product only should be used to define dimension cut outs. Distributors, and retailers are not agents of Eurolinx and are not authorized to bind Eurolinx by any express or implied undertaking or representation.

AFGR935B 90cm Freestanding Cooker
Dimensions: 900 wide x 600 deep x 900 high
Terminal box

FOLLOW US ON:  [instagram.com/artusi_appliances](https://www.instagram.com/artusi_appliances)

 www.linkedin.com/company/eurolinx-pty-ltd-t-a-lve/

Australia National Telephone Number 1300 (694 583) New Zealand Telephone Number 64 3 344 5913
Artusi showroom hours: Tuesday to Friday - 9am-5pm, Saturday - 10am-4pm, Sunday and Monday - closed
* Melbourne showroom hours: Tuesday to Saturday - 10am-4pm

[artusi.com.au](https://www.artusi.com.au)

NSW & ACT (Head Office)
48-50 Moore Street
Leichhardt
F 02 8569 4699

VIC & SA
1211 Toorak Road
Camberwell
F 03 9809 2155

QLD
1/42 Cavendish Road
Coorparoo
F 07 3397 0850

WA & NT
Unit 10/55 Howe Street
Osborne Park
F 08 9201 9188

New Zealand
PO Box 11,160
Sockburn Christchurch
F 03 344 5906