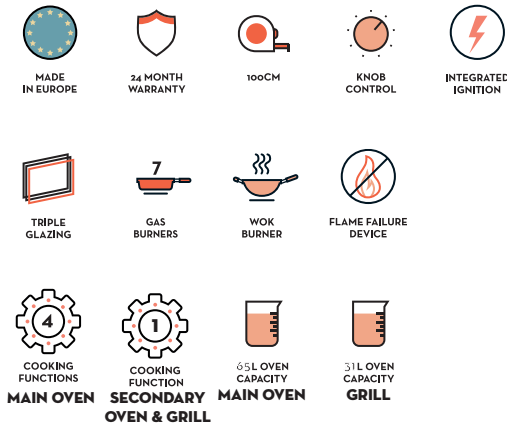


100CM FREESTANDING COOKER

ARTUSI
THE ART OF LIVING

MODEL AFGRI047B



PRODUCT INFORMATION

OVEN FEATURES

- Gloss Black
- 3 door electric oven with warming door & gas hob
- analogue clock & minute timer
- decorative black splash back
- easy-to-clean inner door

SAFETY

- triple-glazed glass doors

CAVITY 2 (LEFT SIDE, MAIN OVEN)

- thermostat 50–240°C
- left side opening door
- 4 shelf positions
- 4 cooking functions- defrost, top only, bottom only, bottom + top heating elements with fan
- internal cavity size: 46.5W x 32H x 41D cm
- 1 x baking tray & grill inset, 1 x chrome-wire rack, 1 x telescopic rack

CAVITY 1 (LEFT SIDE, GRILL)

- thermostat 40–240°C
- 1400W grill
- 3 shelf positions
- internal cavity size: 46.5W x 17H x 41D cm
- 1 x chrome-wire shelf

CAVITY 3 (RIGHT SIDE, SECONDARY OVEN)

- 1 cooking function- fan forced
- thermostat 40–240°C
- 4 shelf positions
- internal cavity size: 36.5W x 31.5H x 41D cm
- 1 x baking tray & grill inset, 1 x chrome-wire rack

DISCLAIMER

Eurolinx PTY LTD, is continually seeking ways to improve the design specifications, aesthetics and production techniques of its products. As a result alterations to our products and designs take place continually. Whilst every effort is made to produce information and literature that is up to date, this brochure should not be regarded as an infallible guide to the current specifications, nor does it constitute an offer for the sale of any particular product. Product dimensions indicated in our literature is indicative only. Actual product only should be used to define dimension cut outs. Distributors, and retailers are not agents of Eurolinx and are not authorized to bind Eurolinx by any express or implied undertaking or representation.

COOKTOP FEATURES

- black cooking surface
- cast-iron trivets, burner caps & WOK cradle

BURNERS

- 7 gas burners:
 - 1 x WOK
 - 2 x rapid
 - 2 x semi-rapid
 - 2 x auxiliary
- Total: NG 58.6 Mj/h

SAFETY

- flame failure safety device fitted to each burner
- automatic electronic ignition

STORAGE COMPARTMENT

- 3 shelf positions
- internal cavity size: 36.5W x 18H x 41D cm



AR16092022

EAN 9347777004987

FOLLOW US ON:  [artusi_kitchen_laundry_outdoor](https://www.instagram.com/artusi_kitchen_laundry_outdoor)

Australia National Telephone Number 1300 MYILVE (694 583) New Zealand Telephone Number 0508 458 369
ILVE showrooms are open daily from 9am-5pm and Saturdays 10am-4pm

[artusi.com.au](https://www.artusi.com.au)

NSW & ACT (Head Office)
48-50 Moore Street
Leichhardt
F 02 8569 4699

Victoria
2r/131 Church Street
Hawthorn

QLD
1/42 Cavendish Road
Coorparoo

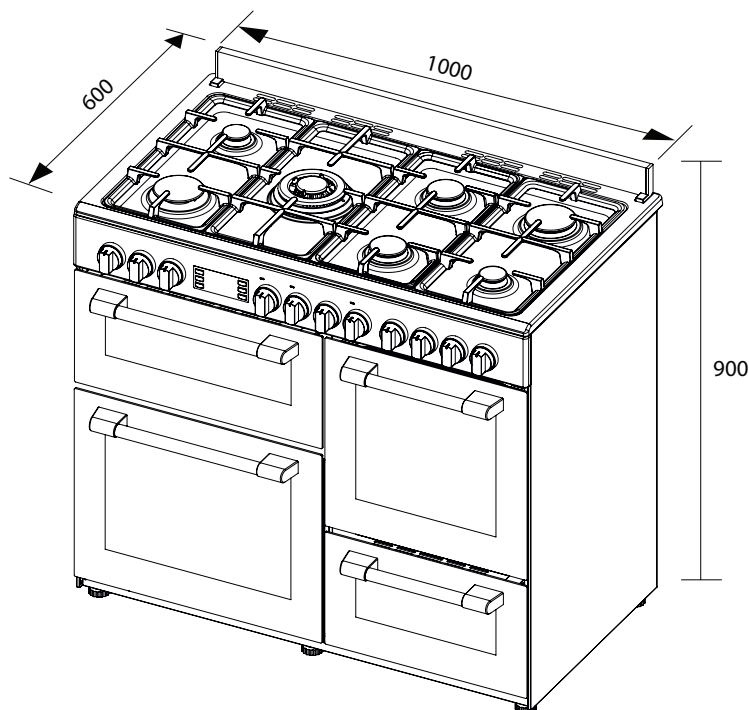
WA & NT
Unit 10/55 Howe Street
Osborne Park

New Zealand
PO Box 11,160
Sockburn Christchurch

100CM FREESTANDING COOKER

MODEL AFGR1047B

TECHNICAL DIAGRAM



NB: drawings are not to scale — they are to be used for detailed installation instructions, please refer to user guide.

EAN 9347777004987

AR16092022

DISCLAIMER

Eurolinx PTY LTD, is continually seeking ways to improve the design specifications, aesthetics and production techniques of its products. As a result alterations to our products and designs take place continually. Whilst every effort is made to produce information and literature that is up to date, this brochure should not be regarded as an infallible guide to the current specifications, nor does it constitute an offer for the sale of any particular product. Product dimensions indicated in our literature is indicative only. Actual product only should be used to define dimension cut outs. Distributors, and retailers are not agents of Eurolinx and are not authorized to bind Eurolinx by any express or implied undertaking or representation.

AFGR1047B 100cm Freestanding Cooker
Dimensions: 1000w x 600d x 900h mm
Terminal box

FOLLOW US ON:  [.artusi_kitchen_laundry_outdoor](https://www.instagram.com/artusi_kitchen_laundry_outdoor)

Australia National Telephone Number 1300 MYILVE (694 583) New Zealand Telephone Number 0508 458 369
ILVE showrooms are open daily from 9am-5pm and Saturdays 10am-4pm

artusi.com.au

NSW & ACT (Head Office)
48-50 Moore Street
Leichhardt
F 02 8569 4699

Victoria
2r/131 Church Street
Hawthorn

QLD
1/42 Cavendish Road
Coorparoo

WA & NT
Unit 10/55 Howe Street
Osborne Park

New Zealand
PO Box 11.160
Sockburn Christchurch