

MODEL ADWSI601X



SEMI-INTEGRATED DISHWASHER

24 MONTH
WARRANTYPLACE
SETTINGS6 WASH
PROGRAMSPUSH
BUTTONCHILD
LOCK10AMP POWER
CONNECTION

PRODUCT INFORMATION

FEATURES

- door panel supplied and fitted by builder
- stainless steel control panel
- 12 place settings
- 6 wash programs
- push-button functions: Power, Programs, Function, Delay, Child lock, Start/Pause
- 49 dBA
- electronic controls
- flowmeter water sensor
- antiflood device
- delay start 3/6/9/12 hours
- height-adjustable top basket
- rinse aid indicator
- natural drying + Extra drying
- child lock
- VDE inlet hose
- hot (max 90°C) or cold water connection
- inlet hose: 1800mm
- outlet hose: 1400mm

NB: kickplate included



PROGRAM	TYPE	DURATION (min)
Intensive	for heaviest soiled loads, eg pots, pans, casserole dishes, and dried-on food	170
Heavy	for heavily soiled loads, eg pots, plates, glasses and lightly soiled pans	160
Normal	for normally soiled loads, eg plates, glasses, bowls and normally soiled pans	170
Glass	for lightly soiled loads such as glasses, crystal and fine china	125
90 Min.	for lightly soiled crockery and glass	90
Rapid	a shorter wash for lightly soiled loads that do not need drying	30

EAN 9347777001399

AR090819

DISCLAIMER

Eurolinx PTY LTD, is continually seeking ways to improve the design specifications, aesthetics and production techniques of its products. As a result alterations to our products and designs take place continually. Whilst every effort is made to produce information and literature that is up to date, this brochure should not be regarded as an infallible guide to the current specifications, nor does it constitute an offer for the sale of any particular product. Product dimensions indicated in our literature is indicative only. Actual product only should be used to define dimension cut outs. Distributors, and retailers are not agents of Eurolinx and are not authorized to bind Eurolinx by any express or implied undertaking or representation.

FOLLOW US ON: [instagram.com/artusi_appliances](https://www.instagram.com/artusi_appliances)

www.linkedin.com/company/eurolinx-pty-ltd-t-a-llve/

Australia National Telephone Number 1300 (694 583) New Zealand Telephone Number 64 3 344 5913
 Artusi showroom hours: Tuesday to Friday - 9am-5pm, Saturday - 10am-4pm, Sunday and Monday - closed
 * Melbourne showroom hours: Tuesday to Saturday - 10am-4pm

artusi.com.au

NSW & ACT (Head Office)
 48-50 Moore Street
 Leichhardt
 F 02 8569 4699

VIC & SA
 1211 Toorak Road
 Camberwell
 F 03 9809 2155

QLD
 1/42 Cavendish Road
 Coorparoo
 F 07 3397 0850

WA & NT
 Unit 10/55 Howe Street
 Osborne Park
 F 08 9201 9188

New Zealand
 PO Box 11,160
 Sockburn Christchurch
 F 03 344 5906

MODEL ADWSI601X



SEMI-INTEGRATED DISHWASHER



24 MONTH WARRANTY



PLACE SETTINGS



6 WASH PROGRAMS



PUSH BUTTON

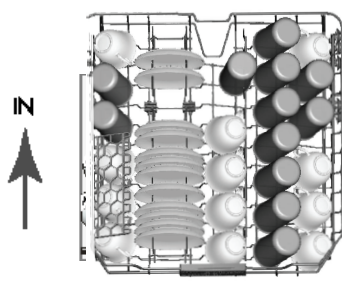
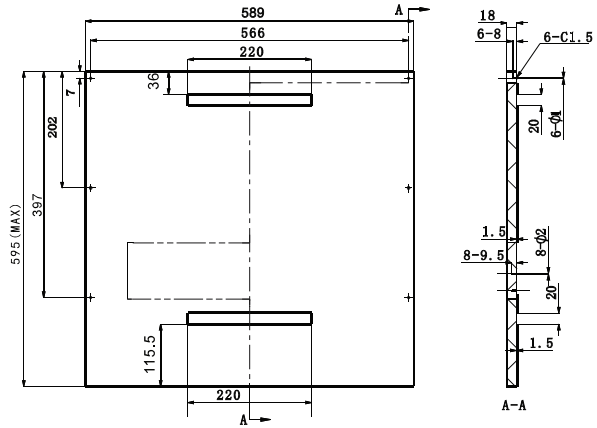
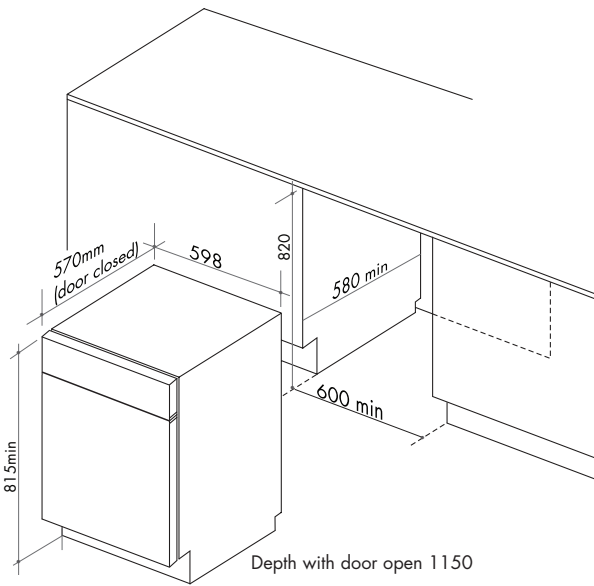


CHILD LOCK

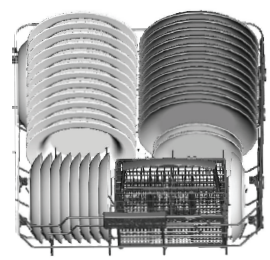


10AMP POWER CONNECTION

TECHNICAL DIAGRAM



The upper basket is designed to hold more delicate and lighter dishware such as glasses, coffee and tea cups and saucers, as well as small plates and bowls and shallow pans (provided they are not too soiled).



It is suggested that large items, and items that are most difficult to clean, are placed in the lower basket — eg pots, pans, lids, serving dishes etc. It is preferable to place serving dishes and lids on the side of the racks to avoid blocking rotation of the top spray arm.

NB: drawings are not to scale — they are to be used for detailed installation instructions, please refer to user guide.

EAN 9347777001399

ADWSI601X semi-integrated dishwasher
 Size 598Wx550Dx815H
 10 AMP GPO; standard 3-pin plug and cord 240V

AR090819

DISCLAIMER

Eurolinx PTY LTD, is continually seeking ways to improve the design specifications, aesthetics and production techniques of its products. As a result alterations to our products and designs take place continually. Whilst every effort is made to produce information and literature that is up to date, this brochure should not be regarded as an infallible guide to the current specifications, nor does it constitute an offer for the sale of any particular product. Product dimensions indicated in our literature is indicative only. Actual product only should be used to define dimension cut outs. Distributors, and retailers are not agents of Eurolinx and are not authorized to bind Eurolinx by any express or implied undertaking or representation.

FOLLOW US ON: [instagram.com/artusi_appliances](https://www.instagram.com/artusi_appliances) www.linkedin.com/company/eurolinx-pty-ltd-t-a-lve/

Australia National Telephone Number 1300 (694 583) New Zealand Telephone Number 64 3 344 5913
 Artusi showroom hours: Tuesday to Friday - 9am-5pm, Saturday - 10am-4pm, Sunday and Monday - closed
 * Melbourne showroom hours: Tuesday to Saturday - 10am-4pm

artusi.com.au

NSW & ACT (Head Office) 48-50 Moore Street Leichhardt F 02 8569 4699	VIC & SA 1211 Toorak Road Camberwell F 03 9809 2155	QLD 1/42 Cavendish Road Coorparoo F 07 3397 0850	WA & NT Unit 10/55 Howe Street Osborne Park F 08 9201 9188	New Zealand PO Box 11,160 Sockburn Christchurch F 03 344 5906
--	---	--	--	---