

FULLY INTEGRATED DISHWASHER



MODEL ADWFI6O3



MADE IN EUROPE



24 MONTH WARRANTY



60CM



PLACE SETTINGS



8 WASH PROGRAMS



ECO WASH



TOUCH CONTROL



LOW NOISE



DELAY TIMER



10AMP POWER CONNECTION



PRODUCT INFORMATION

CAPACITY

- 15 place setting

FEATURES

- Power saving mode
- Metal filter
- Stainless steel tub
- 5 wash temperatures
- Touch control operation
- Concealed heat element
- 'super active' drying system
- Asynchronous circulation pump
- Display panel featuring remaining time and time delay settings
- Adjustable upper basket
- Program selection button
- Delay timer up to 19 hours
- Foldable racks on lower basket
- x 2 removable cutlery basket
- Half load wash option
- Wash tablet option
- Rinse aid indicator
- End of wash buzzer
- Noise level: 45db/A
- Made in Turkey

PROGRAMS

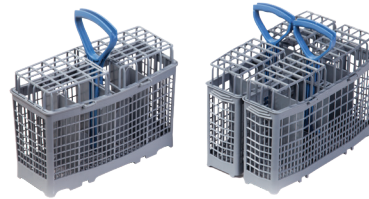
- 8 wash programs: ECO, Intensive 65°C / Auto, Hygiene 70°C, Super 50', Easy Care 60°C, Delicate 40°C, Quick 30', Mini 14'

CONTROL PANEL

- On/off touch button
- Programme touch button
- Delay touch button
- Extra Rinse touch button
- Half Load touch button
- Extra Dry touch button

SAFETY

- Overflow and leakage protection



EAN 9347777004499

AR21032022

DISCLAIMER

Eurolinx PTY LTD, is continually seeking ways to improve the design specifications, aesthetics and production techniques of its products. As a result alterations to our products and designs take place continually. Whilst every effort is made to produce information and literature that is up to date, this brochure should not be regarded as an infallible guide to the current specifications, nor does it constitute an offer for the sale of any particular product. Product dimensions indicated in our literature is indicative only. Actual product only should be used to define dimension cut outs. Distributors, and retailers are not agents of Eurolinx and are not authorized to bind Eurolinx by any express or implied undertaking or representation.

FOLLOW US ON:



instagram.com/artusi_appliances



www.linkedin.com/company/eurolinx-pty-ltd-t-a-ilve/

Australia National Telephone Number 1300 (694 583) New Zealand Telephone Number 64 3 344 5913

Artusi showroom hours: Tuesday to Friday - 9am-5pm, Saturday - 10am-4pm, Sunday and Monday - closed

* Melbourne showroom hours: Tuesday to Saturday - 10am-4pm

artusi.com.au

NSW & ACT (Head Office)

48-50 Moore Street
Leichhardt
F 02 8569 4699

QLD

1/42 Cavendish Road
Coorparoo
F 07 3397 0850

WA & NT

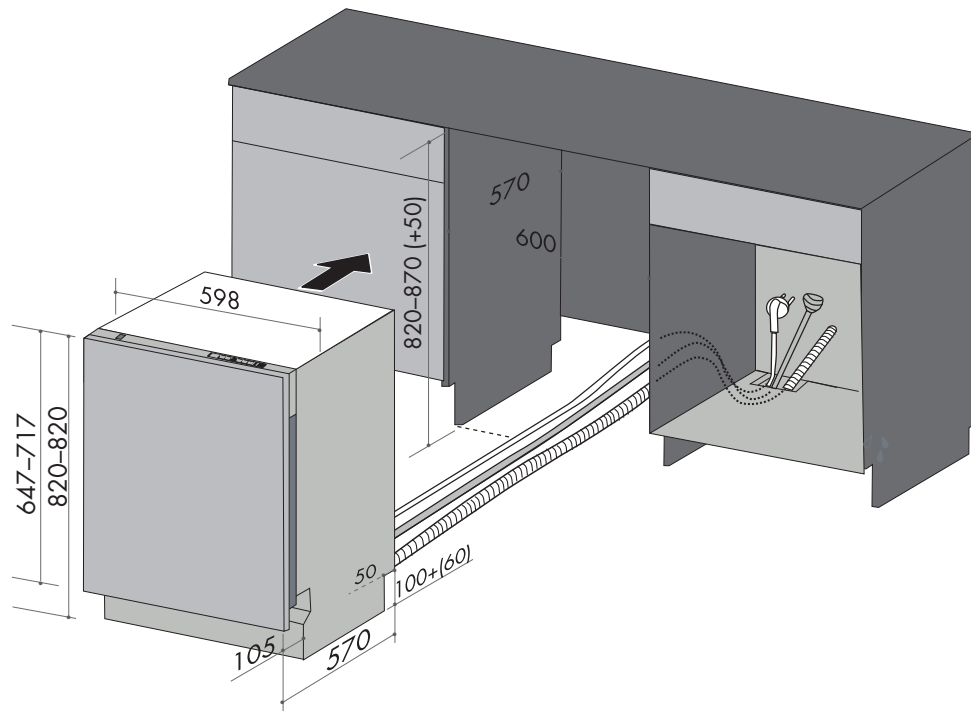
Unit 10/55 Howe Street
Osborne Park
F 08 9201 9188

New Zealand

PO Box 11.160
Sockburn Christchurch
F 03 344 5906

MODEL ADWFI603

TECHNICAL DIAGRAM



NB: drawings are not to scale — they are to be used for detailed installation instructions, please refer to user guide.

EAN 9347777004499

AR21032022

DISCLAIMER

Eurolinx PTY LTD, is continually seeking ways to improve the design specifications, aesthetics and production techniques of its products. As a result alterations to our products and designs take place continually. Whilst every effort is made to produce information and literature that is up to date, this brochure should not be regarded as an infallible guide to the current specifications, nor does it constitute an offer for the sale of any particular product. Product dimensions indicated in our literature is indicative only. Actual product only should be used to define dimension cut outs. Distributors, and retailers are not agents of Eurolinx and are not authorized to bind Eurolinx by any express or implied undertaking or representation.

ADWFI603 Fully integrated dishwasher
Size: H820mm(+50mm adjustable) x W598mm x D550mm
Power cord length: 1.65m
Water hose 145mm, drain hose 180mm
10AMP plug & lead, 180cm power cord

FOLLOW US ON:  [instagram.com/artusi_appliances](https://www.instagram.com/artusi_appliances)

 www.linkedin.com/company/eurolinx-pty-ltd-t-a-lve/

Australia National Telephone Number 1300 (694 583) New Zealand Telephone Number 64 3 344 5913
Artusi showroom hours: Tuesday to Friday - 9am-5pm, Saturday - 10am-4pm, Sunday and Monday - closed
* Melbourne showroom hours: Tuesday to Saturday - 10am-4pm

[artusi.com.au](https://www.artusi.com.au)

NSW & ACT (Head Office)
48-50 Moore Street
Leichhardt
F 02 8569 4699

QLD
1/42 Cavendish Road
Coorparoo
F 07 3397 0850

WA & NT
Unit 10/55 Howe Street
Osborne Park
F 08 9201 9188

New Zealand
PO Box 11,160
Sockburn Christchurch
F 03 344 5906