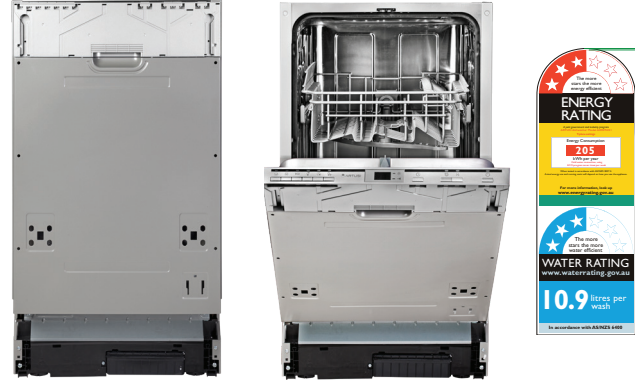
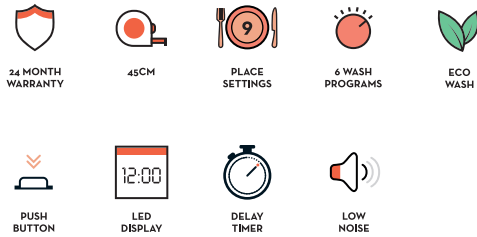


# 45CM FULLY INTEGRATED DISHWASHER

MODEL ADWFI451

 **ARTUSI**  
THE ART OF LIVING



## PRODUCT INFORMATION

### CAPACITY

- 9 place setting

### FEATURES

- Electronic control
- foldable racks on upper shelf
- LED display
- natural drying system
- extra drying
- Flowmeter water sensor
- Pull out adjustable upper basket
- Flip dispenser
- anti-flood device
- Slidable dispenser
- 1-24 H delay start
- grey basket
- 49 dBA

### PROGRAMS

- 6 wash programs: intensive, heavy, ECO, glass, rapid, 90 min.

### CONTROL PANEL

- push button functions: power, programs, delay, extra drying, half load option
- Rinse aid indicator

### TECHNICAL INFORMATION

- VDE hose
- Size: 448W x 550D x 815H mm
- packaged dimension: 485W x 635 D 884H mm
- Panel size: 439W x 720H mm
- Max. Door panel weight: 2.5 - 6 kg



**EAN 9347777004734**

AR13042022

### DISCLAIMER

Eurolinx PTY LTD, is continually seeking ways to improve the design specifications, aesthetics and production techniques of its products. As a result alterations to our products and designs take place continually. Whilst every effort is made to produce information and literature that is up to date, this brochure should not be regarded as an infallible guide to the current specifications, nor does it constitute an offer for the sale of any particular product. Product dimensions indicated in our literature is indicative only. Actual product only should be used to define dimension cut outs. Distributors, and retailers are not agents of Eurolinx and are not authorized to bind Eurolinx by any express or implied undertaking or representation.

**FOLLOW US ON:**  [instagram.com/artusi\\_appliances](https://www.instagram.com/artusi_appliances)

 [www.linkedin.com/company/eurolinx-pty-ltd-t-a-llve/](https://www.linkedin.com/company/eurolinx-pty-ltd-t-a-llve/)

Australia National Telephone Number 1300 (694 583) New Zealand Telephone Number 64 3 344 5913  
Artusi showroom hours: Tuesday to Friday - 9am-5pm, Saturday - 10am-4pm, Sunday and Monday - closed  
\* Melbourne showroom hours: Tuesday to Saturday - 10am-4pm

[artusi.com.au](https://www.artusi.com.au)

**NSW & ACT (Head Office)**  
48-50 Moore Street  
Leichhardt  
F 02 8569 4699

**QLD**  
1/42 Cavendish Road  
Coorparoo  
F 07 3397 0850

**WA & NT**  
Unit 10/55 Howe Street  
Osborne Park  
F 08 9201 9188

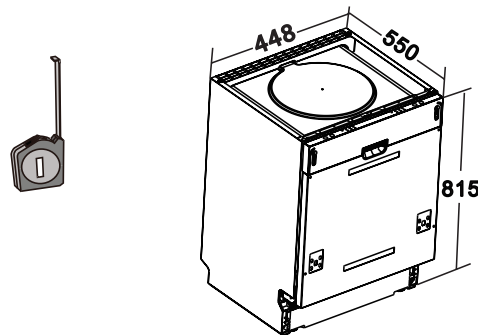
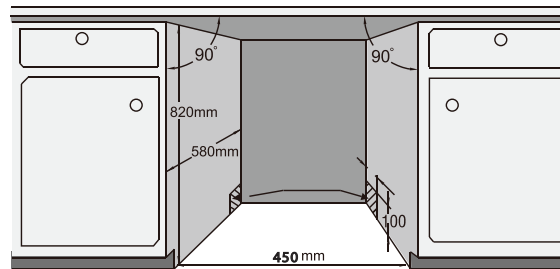
**New Zealand**  
PO Box 11,160  
Sockburn Christchurch  
F 03 344 5906

# 45CM FULLY INTEGRATED DISHWASHER

MODEL ADWFI451

 **ARTUSI**  
THE ART OF LIVING

## TECHNICAL DIAGRAM



NB: drawings are not to scale — they are to be used for detailed installation instructions, please refer to user guide.

**EAN 9347777004734**

AR13042022

### DISCLAIMER

Eurolinx PTY LTD, is continually seeking ways to improve the design specifications, aesthetics and production techniques of its products. As a result alterations to our products and designs take place continually. Whilst every effort is made to produce information and literature that is up to date, this brochure should not be regarded as an infallible guide to the current specifications, nor does it constitute an offer for the sale of any particular product. Product dimensions indicated in our literature is indicative only. Actual product only should be used to define dimension cut outs. Distributors, and retailers are not agents of Eurolinx and are not authorized to bind Eurolinx by any express or implied undertaking or representation.

ADWFI451 45cm fully integrated dishwasher  
Size: 448W x 550D (1150D door open) x 815H mm  
packaged dimension: 485W x 635 D 884H mm  
Panel size: 439W x 720H mm  
10AMP, 1m power cord

**FOLLOW US ON:**  [instagram.com/artusi\\_appliances](https://www.instagram.com/artusi_appliances)

 [www.linkedin.com/company/eurolinx-pty-ltd-t-a-lve/](https://www.linkedin.com/company/eurolinx-pty-ltd-t-a-lve/)

Australia National Telephone Number 1300 (694 583) New Zealand Telephone Number 64 3 344 5913  
Artusi showroom hours: Tuesday to Friday - 9am-5pm, Saturday - 10am-4pm, Sunday and Monday - closed  
\* Melbourne showroom hours: Tuesday to Saturday - 10am-4pm

[artusi.com.au](https://www.artusi.com.au)

**NSW & ACT (Head Office)**  
48-50 Moore Street  
Leichhardt  
F 02 8569 4699

**QLD**  
1/42 Cavendish Road  
Coorparoo  
F 07 3397 0850

**WA & NT**  
Unit 10/55 Howe Street  
Osborne Park  
F 08 9201 9188

**New Zealand**  
PO Box 11,160  
Sockburn Christchurch  
F 03 344 5906