

MODEL ADW7003W



FREESTANDING DISHWASHER

MADE
IN EUROPE24 MONTH
WARRANTYPLACE
SETTINGS9 WASH
PROGRAMS10AMP POWER
CONNECTION

PRODUCT INFORMATION

FEATURES

- 15 place setting
- 9 wash programs- Pre-wash, Mini 14', Quick 30', Eco, Super 50', Dual Pro Wash, Super 50', Hygiene, Auto Delicate, Auto Intensive
- Temperatures (°C)- Auto-30°-40°-50°-60°-70°
- Electronic Control type
- Hidden heating element
- Turbidity sensor
- Turbo Drying system
- Overflow, leakage protection & heater protection
- Circulation pump- Asynchronous
- Start/Pause button, DISPLAY (delay start, remaining time), Delay timer option- (1 through to 24hr)
- Program selection button
- Half load option
- Rinse-aid indicator, washing cycle indicators end of cycle indicator
- Adjustable upper basket when empty
- Noise Level (dB(A))- 47
- Energy Star rating- 3.5
- Water Star rating- 4.5
- Extra Hygiene option
- Extra Dry option
- 3rd basket
- Upper basket
- Tablet option
- Metal Filter



Program	Cycle Selection	Duration (min)
Pre-wash	Very short cycle (with no detergent) for rinsing and re-dampening the items while waiting for a wash expected in the following 2 days	15
Mini 14'	Fast programme intended for recently used dishes which are lightly soiled. Suitable for 4 place settings.	14
Quick 30'	Quick wash programme for lightly soiled dishes.	30
Eco	Standard programme for dishes which are used daily but are not heavily soiled.	138
Dual Pro Wash	For both lightly soiled delicate glassware and heavily soiled crockery at the same time.	113
Super 50'	A faster programme for dishes which are used daily but are not heavily soiled.	50
Hygiene	For heavily soiled dishes which require hygienic washing.	123
Auto Delicate	Automatic programme for delicate dishes which are not heavily soiled.	64-92
Auto Intensive	Automatic programme for heavily soiled dishes.	111-179

EAN 9347777003201

AR180719

DISCLAIMER

Eurolinx PTY LTD, is continually seeking ways to improve the design specifications, aesthetics and production techniques of its products. As a result alterations to our products and designs take place continually. Whilst every effort is made to produce information and literature that is up to date, this brochure should not be regarded as an infallible guide to the current specifications, nor does it constitute an offer for the sale of any particular product. Product dimensions indicated in our literature is indicative only. Actual product only should be used to define dimension cut outs. Distributors, and retailers are not agents of Eurolinx and are not authorized to bind Eurolinx by any express or implied undertaking or representation.

FOLLOW US ON: [instagram.com/artusi_appliances](https://www.instagram.com/artusi_appliances)

www.linkedin.com/company/eurolinx-pty-ltd-t-a-llve/

Australia National Telephone Number 1300 (694 583) New Zealand Telephone Number 64 3 344 5913
 Artusi showroom hours: Tuesday to Friday - 9am-5pm, Saturday - 10am-4pm, Sunday and Monday - closed
 * Melbourne showroom hours: Tuesday to Saturday - 10am-4pm

artusi.com.au

NSW & ACT (Head Office)
 48-50 Moore Street
 Leichhardt
 F 02 8569 4699

VIC & SA
 1211 Toorak Road
 Camberwell
 F 03 9809 2155

QLD
 1/42 Cavendish Road
 Coorparoo
 F 07 3397 0850

WA & NT
 Unit 10/55 Howe Street
 Osborne Park
 F 08 9201 9188

New Zealand
 PO Box 11,160
 Sockburn Christchurch
 F 03 344 5906

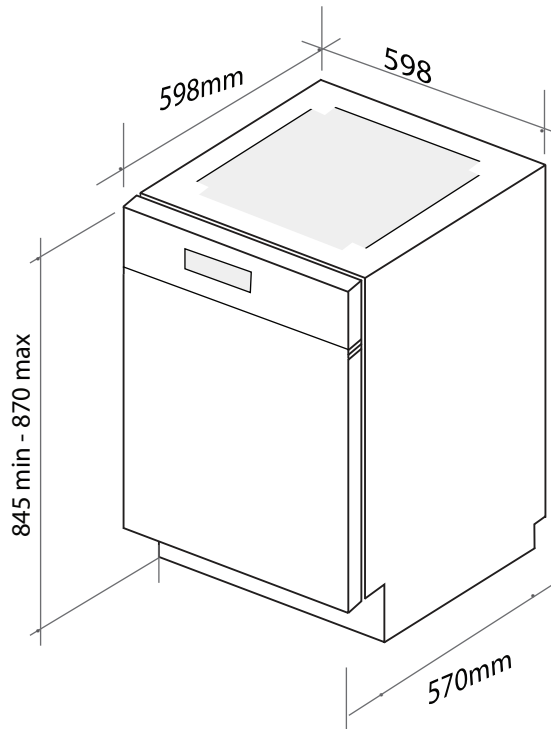
MODEL ADW7003W



FREESTANDING DISHWASHER

MADE
IN EUROPE24 MONTH
WARRANTYPLACE
SETTINGS9 WASH
PROGRAMS10AMP POWER
CONNECTION

TECHNICAL DIAGRAM



Note: For built-in installation, please remove the lid of the appliances. Refer to the installation manual

NB: drawings are not to scale — they are to be used for detailed installation instructions, please refer to user guide.

EAN 9347777003201

AR180719

DISCLAIMER

Eurolinx PTY LTD, is continually seeking ways to improve the design specifications, aesthetics and production techniques of its products. As a result alterations to our products and designs take place continually. Whilst every effort is made to produce information and literature that is up to date, this brochure should not be regarded as an infallible guide to the current specifications, nor does it constitute an offer for the sale of any particular product. Product dimensions indicated in our literature is indicative only. Actual product only should be used to define dimension cut outs. Distributors, and retailers are not agents of Eurolinx and are not authorized to bind Eurolinx by any express or implied undertaking or representation.

ADW7003W Freestanding Dishwasher
Built-in height without plastic lid 82cm
Power cord 175mm
Drain hose 180mm, Water hose 150mm
10 AMP plug & lead

FOLLOW US ON:  [instagram.com/artusi_appliances](https://www.instagram.com/artusi_appliances)

 www.linkedin.com/company/eurolinx-pty-ltd-t-a-lve/

Australia National Telephone Number 1300 (694 583) New Zealand Telephone Number 64 3 344 5913
Artusi showroom hours: Tuesday to Friday - 9am-5pm, Saturday - 10am-4pm, Sunday and Monday - closed
* Melbourne showroom hours: Tuesday to Saturday - 10am-4pm

[artusi.com.au](https://www.artusi.com.au)

NSW & ACT (Head Office)
48-50 Moore Street
Leichhardt
F 02 8569 4699

VIC & SA
1211 Toorak Road
Camberwell
F 03 9809 2155

QLD
1/42 Cavendish Road
Coorparoo
F 07 3397 0850

WA & NT
Unit 10/55 Howe Street
Osborne Park
F 08 9201 9188

New Zealand
PO Box 11.160
Sockburn Christchurch
F 03 344 5906