

# MODEL ADW5002X



## FREESTANDING DISHWASHER

MADE  
IN EUROPE24 MONTH  
WARRANTYPLACE  
SETTINGS4 WASH  
PROGRAMSLOW  
NOISE10AMP POWER  
CONNECTION

## PRODUCT INFORMATION

### FEATURES

- 15 place settings
- Stainless steel door
- Grey control panel
- Plastic grey lid
- Metal filter
- Stainless steel tub
- 4 wash programs (Quick 30, ECO, Super 50, Intensive)
- 3 wash temperatures
- Concealed heat element
- 'mini active' drying system
- Overflow and leakage protection
- Asynchronous circulation pump
- Start/Pause button
- Program selection knob
- Foldable racks on lower basket
- Removable cutlery basket
- Delay timer 3, 6, 9 hours
- Half load wash option
- Rinse aid indicator
- Washing cycle indicator
- Adjustable upper basket
- Noise level: 49db/A
- Energy rating 3 star
- Water rating 4 star
- Made in Turkey



Program	Cycle Selection	Duration (min)
Quick	Quick wash programme for lightly soiled dishes.	30
Eco	Standard programme for dishes which are used daily but are not heavily soiled.	143
Super 50'	A faster programme for dishes which are used daily but are not heavily soiled.	50
Intensive	For heaviest soiled dishes	117

EAN 9347777002884

AR301019

### DISCLAIMER

Eurolinx PTY LTD, is continually seeking ways to improve the design specifications, aesthetics and production techniques of its products. As a result alterations to our products and designs take place continually. Whilst every effort is made to produce information and literature that is up to date, this brochure should not be regarded as an infallible guide to the current specifications, nor does it constitute an offer for the sale of any particular product. Product dimensions indicated in our literature is indicative only. Actual product only should be used to define dimension cut outs. Distributors, and retailers are not agents of Eurolinx and are not authorized to bind Eurolinx by any express or implied undertaking or representation.

**FOLLOW US ON:** [instagram.com/artusi\\_appliances](https://www.instagram.com/artusi_appliances)

[www.linkedin.com/company/eurolinx-pty-ltd-t-a-llve/](https://www.linkedin.com/company/eurolinx-pty-ltd-t-a-llve/)

Australia National Telephone Number 1300 (694 583) New Zealand Telephone Number 64 3 344 5913  
 Artusi showroom hours: Tuesday to Friday - 9am-5pm, Saturday - 10am-4pm, Sunday and Monday - closed  
 \* Melbourne showroom hours: Tuesday to Saturday - 10am-4pm

[artusi.com.au](http://artusi.com.au)

**NSW & ACT (Head Office)**  
 48-50 Moore Street  
 Leichhardt  
 F 02 8569 4699

**VIC & SA**  
 1211 Toorak Road  
 Camberwell  
 F 03 9809 2155

**QLD**  
 1/42 Cavendish Road  
 Coorparoo  
 F 07 3397 0850

**WA & NT**  
 Unit 10/55 Howe Street  
 Osborne Park  
 F 08 9201 9188

**New Zealand**  
 PO Box 11,160  
 Sockburn Christchurch  
 F 03 344 5906

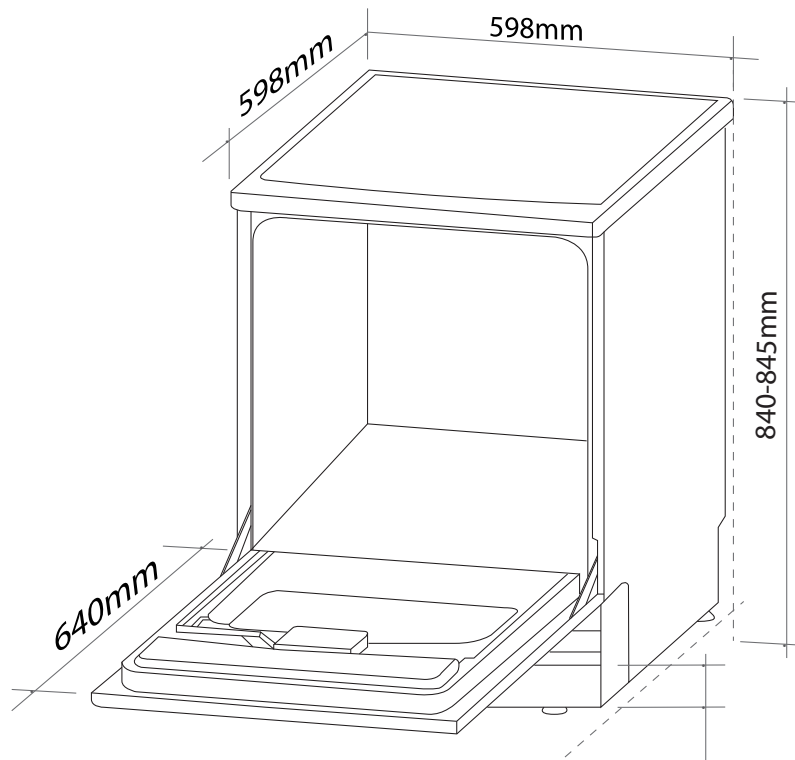
# MODEL ADW5002X



FREESTANDING DISHWASHER

MADE  
IN EUROPE24 MONTH  
WARRANTYPLACE  
SETTINGS4 WASH  
PROGRAMSLOW  
NOISE10AMP POWER  
CONNECTION

## TECHNICAL DIAGRAM



NB: drawings are not to scale — they are to be used for detailed installation instructions, please refer to user guide.

**EAN 9347777002884**

AR301019

### DISCLAIMER

Eurolinx PTY LTD, is continually seeking ways to improve the design specifications, aesthetics and production techniques of its products. As a result alterations to our products and designs take place continually. Whilst every effort is made to produce information and literature that is up to date, this brochure should not be regarded as an infallible guide to the current specifications, nor does it constitute an offer for the sale of any particular product. Product dimensions indicated in our literature is indicative only. Actual product only should be used to define dimension cut outs. Distributors, and retailers are not agents of Eurolinx and are not authorized to bind Eurolinx by any express or implied undertaking or representation.

ADW5002X Dishwasher

Size: 850mm high x 598mm wide x 598mm deep

Power cord length: 165m

10 AMP plug &amp; lead

Drainhose 180mm water in 145mm

**FOLLOW US ON:**  [instagram.com/artusi\\_appliances](https://www.instagram.com/artusi_appliances)

 [www.linkedin.com/company/eurolinx-pty-ltd-t-a-lve/](https://www.linkedin.com/company/eurolinx-pty-ltd-t-a-lve/)

Australia National Telephone Number 1300 (694 583) New Zealand Telephone Number 64 3 344 5913  
Artusi showroom hours: Tuesday to Friday - 9am-5pm, Saturday - 10am-4pm, Sunday and Monday - closed  
\* Melbourne showroom hours: Tuesday to Saturday - 10am-4pm

[artusi.com.au](https://www.artusi.com.au)

**NSW & ACT (Head Office)**  
48-50 Moore Street  
Leichhardt  
F 02 8569 4699

**VIC & SA**  
1211 Toorak Road  
Camberwell  
F 03 9809 2155

**QLD**  
1/42 Cavendish Road  
Coorparoo  
F 07 3397 0850

**WA & NT**  
Unit 10/55 Howe Street  
Osborne Park  
F 08 9201 9188

**New Zealand**  
PO Box 11,160  
Sockburn Christchurch  
F 03 344 5906