

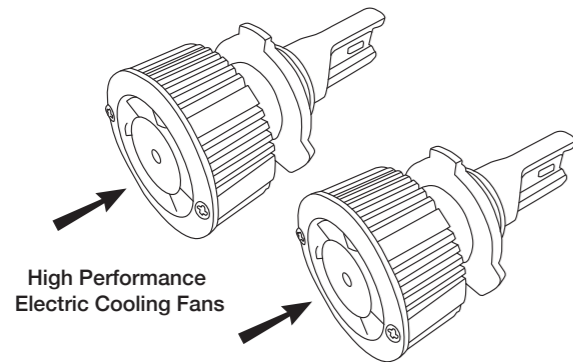
ML-57848_V3 10 x 14 cm Quadfold

FOURING ITEMS
TYPES

LED FOG LIGHT

WP ITM. LM57848, LM57849, LM57850,
LM57852, LM57853, LM58258

Care & Use Instructions



Important, retain for future reference:
Read carefully

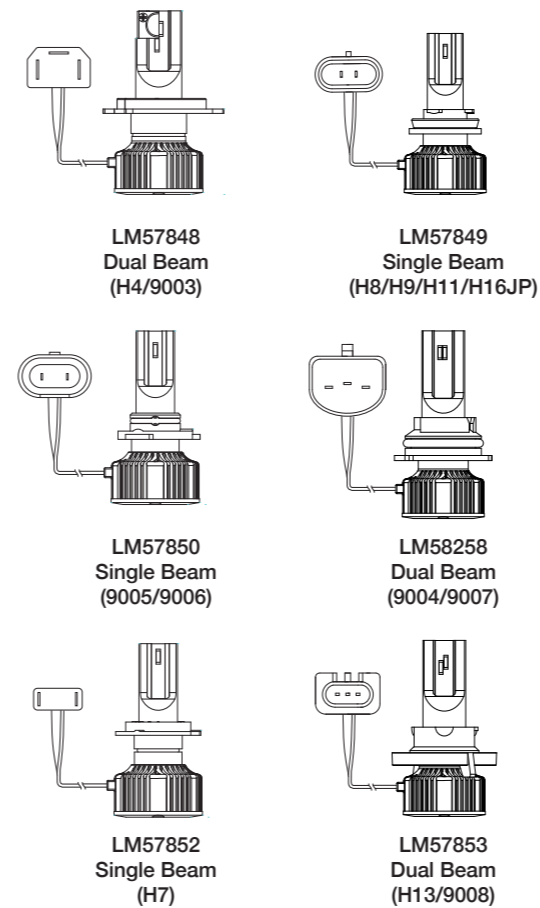
Package Includes

- 2 x Ultra Bright Fog Light LEDs
- 4 x Cable Ties
- 1 x Installation Guide
- For LM57850 only:
- 2 x 9006 Mounting Rings
- 2 x 9005 Mounting Rings (Pre-installed)

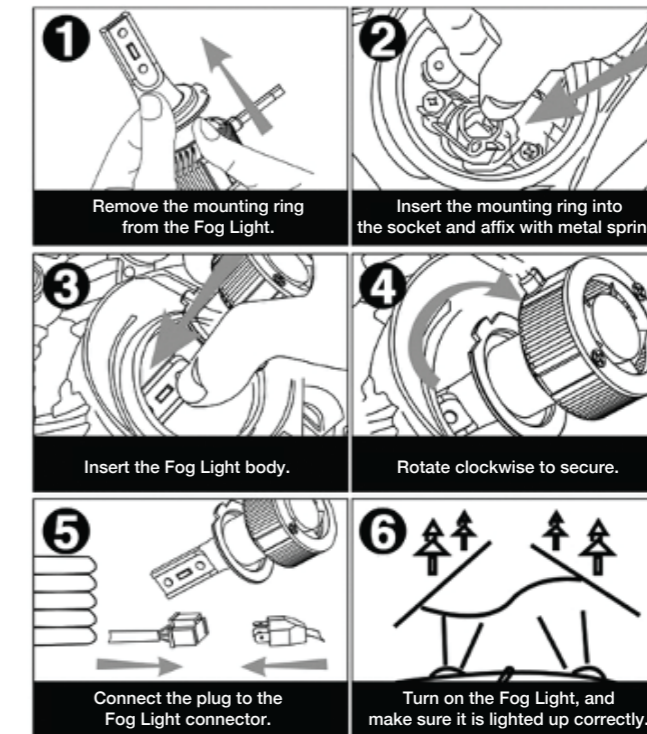
Specifications

- Operation voltage: 12V/ 24V
- Operation temperature: -40°F to 194°F (-40 °C to 90 °C)
- Current: 2A@12V / 1A@24V +/- 10%
- Color temperature: 6,500 K ± 510 K
- Lumen (Maximum):
Dual Beam: High - 1,200 LM ± 15%
Low - 1,200 LM ± 15%
- Single Beam: 1,800 LM ± 15%
- Cable length with plug: 3.9 inch (10cm)

Product Overview



Installation



NOTE: Perform Step 1 and 2 only on LM57848 (H4) and LM57852 (H7).

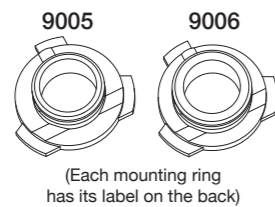
Installation Steps by Fog Light Type

Review vehicle's owners manual or service manual to reference how to access your light bulbs.

The interchange of the 9005 / 9006 mounting ring for LM57850:

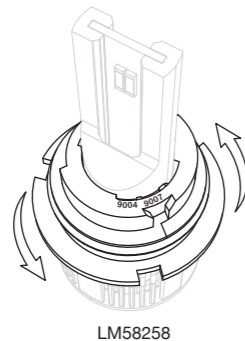
The interchange needs to be done using a screw driver.

- Remove the 9005 blue rubber ring.
- Unscrew and pull out the 9005 mounting ring.
- Insert the 9006 mounting ring and tighten the screw.
- Insert the 9006 blue rubber ring.



Converting mounting ring from 9007 to 9004 for LM58258:

- Mounting ring is pre-installed as 9007.
- Rotate the mounting ring counter clockwise to convert it into 9004 mounting ring.



9004/9005/9006/9007/9012/H8/H9/H11/H13/H16JP

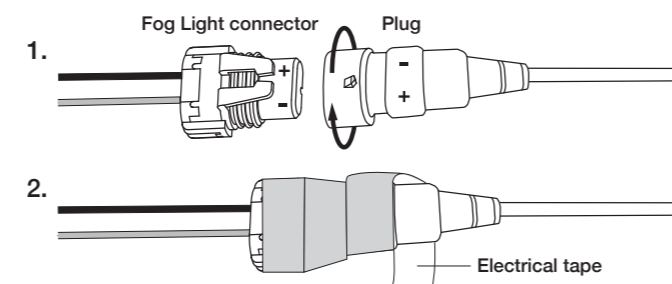
1. Remove the headlight dust cover.
2. Insert the Fog Light body.
3. Rotate clockwise to secure.
4. Connect the plug to the Fog Light connector.
5. Put the dust cover back.
6. Turn on the Fog Light, and make sure it is lighted and the direction of the beam is correct.

H4/H7

1. Remove the headlight dust cover.
2. Pull out the mounting ring from the Fog Light.
3. Insert the mounting ring into the socket and fix it with the metal spring.
4. Insert the Fog Light body into the socket.
5. Rotate clockwise to secure.
6. Connect the plug to the Fog Light connector.
7. Put the dust cover back.
8. Turn on the Fog Light, and make sure it is lighted and the direction of the beam is correct.

NOTE: There are some cases when the LM57849 (H8/H9/H11/H16JP), LM57850 (9005/9006) and LM57852 (H7) Fog Lights will not turn on after plugging in. It is because they may not be universal for every make/model of vehicle. Often times the positive and negative terminals are in the opposite side. When you come across this situation, please follow these steps:

1. Flip the plug half way around and plug into the Fog Light connector. Turn on the headlights and check if the light is on.
2. Put a cable tie, or a piece of electrical tape to hold the connector securely, since the notch is no longer locked onto the clips.



Notes:

- Some vehicles require the engine to be started for operation of all beams. If the LED light does not turn-on then rotate plug and try again.
- The headlight dust covers of some vehicles may not be put back successfully after the Fog Lights are installed. Look for the correct third party dust covers as a replacement.
- This Fog Light fits exclusively to 12V-24V vehicle input.
- When fetching and installing the Fog Lights, DO NOT touch the LED chips with your fingers to avoid injury.
- Try to not block or obstruct air flow of cooling fan.
- Before installing, please make sure the Fog Lights are free from damage, fracture and no impurities on the LED chip.
- For additional installation and product information, visit typesauto.com.

Warnings:

- Caution! If you get an error code, or lights are flickering, use a decoder to complete the installation. Decoder is sold separately.
- Considering the high intensity of light, DO NOT stare at the light when it is switched on.
- The surface of the LED will reach very high temperature when it is turned on. DO NOT touch the surface directly to avoid severe burns.
- Before changing the original Fog Lights, make sure it is turned off and cooled.
- Keep LED chips of the Fog Lights free of dust, oil.
- Do not install or use product if it, in any way, impairs the safe operation of your vehicle.

- Check your state or provincial laws before installing. Vehicle owner must comply with all applicable laws.
- This product is intended solely for Off-road / Fog light purposes.
- Manufacturer and Seller assume no liability for installation or use, which are solely the responsibility of the purchaser.
- This product is not DOT approved and is designed and intended for Off-road/Fog light uses only.
- Do not install or use product if it, in any way, impairs the safe operation of your vehicle. Not for use in extreme temperature.
- The manufacturer and seller are not responsible or liable for consequential, incidental, or indirect damages, whether to person or property, resulting from the installation or improper use of this product.

FOURING ITEMS
TYPES
A Horizon Brands Company
2975 Red Hill Ave., Ste. 100, Costa Mesa, CA 92626
1.866.294.9244 | info@typesauto.com
©2021 Type S. All rights reserved.
www.typesauto.com

CONNECT WITH US @TypeSAuto

Made in China

ML-57848_V3