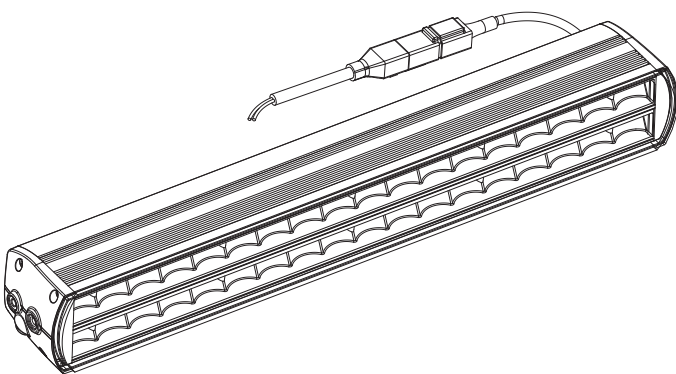


TERRA PRO Ultra™

20" DOUBLE ROW LED LIGHT BAR

WP ITM. LM58302

Care & Use Instructions



**Important, retain for future reference:
Read carefully**

WARNINGS

IMPORTANT SAFETY INSTRUCTIONS

1. SAVE THESE INSTRUCTIONS– This manual contains important safety and operating instructions.
2. Before using this product, read all instructions and cautionary markings.
3. Do not expose the connector to rain, moisture, or snow.
4. Use of an attachment not recommended or sold by the manufacturer may result in a risk of fire, electric shock, or injury to persons.
5. Do not operate with damaged light bar or connector replace it immediately.
6. Do not operate light bar if it has received a sharp blow, been dropped, or otherwise damaged in any way; take it to a qualified serviceperson.
7. Do not disassemble light bar; take it to a qualified serviceperson when service or repair is required. Incorrect reassembly may result in a risk of electric shock or fire.
8. To reduce risk of electric shock, unplug light bar before attempting any maintenance or cleaning. Turning off controls will not reduce this risk.

CAUTIONS

Check your state or provincial laws before installing. Vehicle owner must comply with all applicable laws. This product is intended solely for off road purposes. Manufacturer and Seller assume no liability for installation or use, which are solely the responsibility of the purchaser. This product is not DOT approved and is designed and intended for off road uses only.

1. Do not install or use product if it, in any way, impairs the safe operation of your vehicle.
2. Follow manufacturer's instructions to ensure the product is properly and safely installed.

3. Check your state or provincial laws before installing. Vehicle owner must comply with all applicable laws.
4. This product is intended solely for off road purposes. Manufacturer and Seller assume no liability for installation or use, which are solely the responsibility of the purchaser.
5. This product is not DOT approved and is designed and intended for off road uses only.
6. The Manufacturer and Seller are not responsible or liable for consequential, incidental, or indirect damages, whether to person or property, resulting from the installation or improper use of this product.

⚠ WARNING: This product can expose you to chemicals including DEHP and DINP, which are known to the State of California to cause cancer and birth defects or other reproductive harm. For more information go to www.P65Warnings.ca.gov.

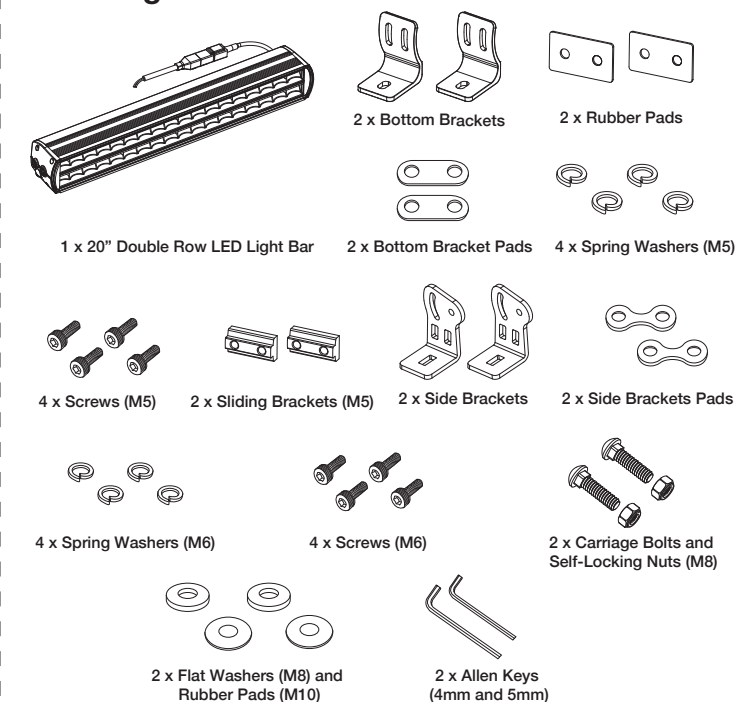
Specifications

Working Voltage:	DC 12-24V
LED Power:	180W
Color Temperature:	6,000K Super White
Maximum Amperage Draw:	12.5A (12V) / 5.9A (24V)
Raw Lumens:	16,400 LM
Effective Lumens:	8,000 LM
Housing IP Rating:	IP68
Beam Type:	Combo Beam

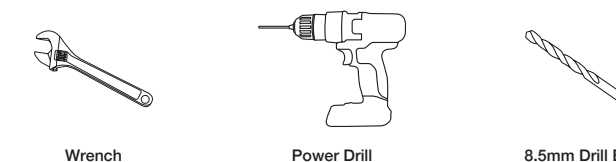
Wire Connection

- Black wire (-) negative, ground connection.
- Red wire (+) positive, Flood Light.
- Fuse light at power source.
- Use 12 gage wire.

Package Includes

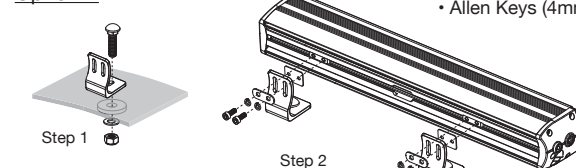


TOOLS NEEDED (NOT INCLUDED)

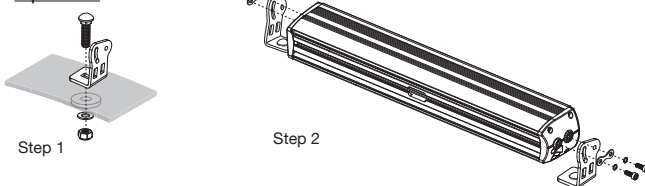


Mounting Lights

Option A



Option B



- Tools Required:
- Power Drill and 8.5mm Drill Bit (not included)
 - Wrench (not included)
 - Allen Keys (4mm or 5mm)

1. Choose a suitable mounting location for the Light Bar. Make sure the location is strong enough to hold the Light Bar. Mark two holes for the brackets for a precise installation. Make sure nothing beneath will be damaged after the holes are drilled. Drill the holes with a 8.5mm Drill Bit. Attach the Bottom Brackets or Side Brackets to the mounting location and secure with Carriage Bolts, Self-Locking Screws, M10 Rubber Pads and M8 Flat Washers. Tighten the Carriage Bolts with a wrench.
2. Option A: Attach the Light Bar to the Bottom Brackets and secure with Rubber Pads, Bottom Brackets Pads, M5 Spring Washers, M5 Screws and tighten with the 4mm Allen Key provided.
Option B: Attach the Light Bar to the Side Brackets and secure with Side Brackets Pads, M6 Spring Washers, M6 Screws and tighten with the 5mm Allen Key provided.
3. Adjust the Light Bar's beam angle by loosening the Screws. Be sure not to over-tighten the screws after the adjustment.

Warning:

1. Work under the specified voltage (DC12-24V).
2. This light becomes hot under continuous use. Don't remove or touch the casing for at least 30 minutes after turning the lamp off.
3. Keep heat-sink clean and exposed to maintain air flow.

Warranty

TYPE S LIMITED WARRANTY

Type S warrants, to the original purchaser, that its products are free from defects in material and workmanship for 1 year from the date of original purchase. Where permitted by law, Type S's liability shall be limited to that set forth in this limited express warranty. This limited express warranty shall be the exclusive remedy of the purchaser and Type S makes no other warranty of any kind aside from the limited express warranty stated above.

NOTE: Warranty only applies for North American customers of purchases made in North America.

CONDITIONS OF WARRANTY

- If during the 1 year warranty period your new product is found to be defective, Type S will repair such defect, or replace the product, without charge for parts or labor subject to the following conditions:
1. All repairs must be performed by Type S.
 2. All warranty claims must be accompanied by a copy of the sales receipt or bill of sale.
 3. The equipment must not have been altered or damaged through negligence, accident, improper operation, or failure to follow the product instructions for installation, use, or care.
 4. The replacement of parts is excluded from the warranty when replacement is necessary due to normal wear and tear.
 5. Repair or replacement parts supplied by Type S under this warranty are protected only for the unexpired portion of the original warranty.
 6. This is a "repair or replace" warranty only, and does not cover the costs incurred for the installation, removal or reinstallation of the product, or damage to any mobile phone, electronic device or vehicle.

OWNER'S RESPONSIBILITIES:

Type S will make every effort to provide warranty service within a reasonable period of time. SHOULD YOU HAVE ANY QUESTIONS ABOUT SERVICE RECEIVED OR IF YOU WOULD LIKE ASSISTANCE IN OBTAINING SERVICE, PLEASE CALL TOLL FREE 1.866.294.9244 DURING REGULAR BUSINESS HOURS, MONDAY THROUGH FRIDAY 8:00 AM TO 5:00 PM (Pacific Standard Time). For customer service and technical support, please call us at 1.866.294.9244 or email us at info@typesauto.com. If at that time it is determined that a replacement unit is needed, the support representative will issue a Return Authorization and instruct on how to get a new unit. Type S

makes no other warranty of any kind aside from the limited express warranty stated herein.

DISCLAIMER OF WARRANTIES, INCLUDING WARRANTY OF MERCHANTABILITY AND WARRANTY OF FITNESS FOR PARTICULAR PURPOSE: EXCEPT AS SPECIFICALLY SET FORTH HEREIN, NO WARRANTY OR REPRESENTATION, EXPRESS OR IMPLIED, IS MADE AS TO THE LIGHT BAR. TYPE S AND/OR ITS AFFILIATES EXPRESSLY DISCLAIMS, WITHOUT LIMITATION, ANY STATUTORY WARRANTIES AND ALL IMPLIED WARRANTIES, INCLUDING ANY IMPLIED WARRANTY OF MERCHANTABILITY OR FITNESS FOR A PARTICULAR PURPOSE.

Type S and/or its affiliates are not responsible for a user's intended or actual use of the Light Bar. In no event shall Type S and/or its affiliates have any liability for any losses (whether direct or indirect, in contract, tort or otherwise) incurred in connection with the Light Bar, including but not limited to damaged property, personal injury and/or loss of life. Neither shall Type S and/or its affiliates have any liability for any decision, action taken based on relying on the stability or performance of the Light Bar. Type S and/or its affiliates, the manufacturer, distributor and seller shall not be liable for any injury, loss or damage, incidental or consequential, arising out of the use or intended use of the product.

Terra Pro Ultra™ 20" Double Row LED Light Bar
LM58302
Responsible Party:
TYPE S
2975 Red Hill Ave., Ste. 100, Costa Mesa,
CA 92626, U.S.A.
Tel: 1.866.294.9244