

TOURING ITEMS  
**TYPES**

S1

**720P Dashcam**

WP ITM. BT533079  
Care & Use Instructions



**Important, retain for future reference:  
Read carefully**

# TABLE OF CONTENTS

1. Introduction .....	3
2. Package Contents .....	4
3. Product Specifications .....	5
4. Product Dimension .....	5
5. Product Overview .....	6
6. Installation .....	7
7. Initial Setup.....	8
8. Button Configuration.....	9
9. Camera Status & LED Indicators.....	10
10. Recording Time.....	10
11. Technical Specifications.....	11
12. Safety Information .....	12
13. Maintenance & Warranty .....	14
14. General Information .....	17

## 1. INTRODUCTION

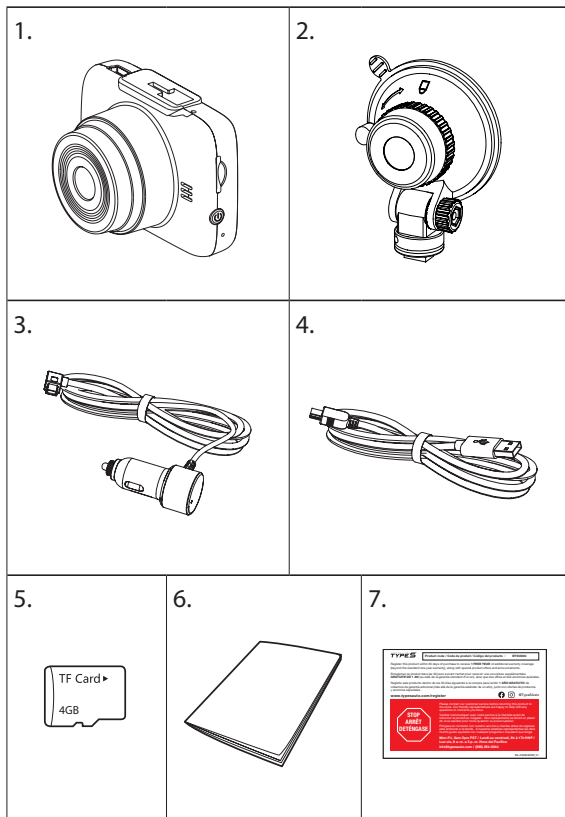
Please read all of the installation instructions carefully before installing the product. Improper installation will void the manufacturer's warranty. The installation instructions do not apply to all types of vehicles, and are written as guidelines to assist in installing the system.

Consult an experienced technician if you are not comfortable installing the product. You can also contact TYPE S at **866.294.9244** to speak to one of our installation specialists if you have any specific questions regarding this product.

**BEFORE using the Dashcam, please read the safety information provided in this user manual. ALWAYS use the product as outlined in this user manual.**

Please make sure to read and understand all local laws and regulations regarding cameras and their use in a vehicle. Laws vary by state.

## 2. PACKAGE CONTENTS

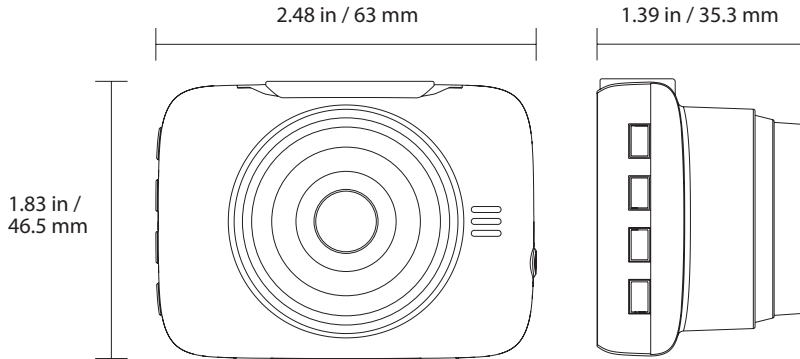


1. 1 x 720P Dashcam
2. 1 x Suction Cup Mount
3. 1 x 12 / 24V DC Power Adapter
4. 1 x 3.28' / 1m USB-A to Mini USB File Transfer Cable
5. 1 x 4GB MicroSD Card (Pre-installed)
6. 1 x Instruction Manual
7. 1 x Warranty Card

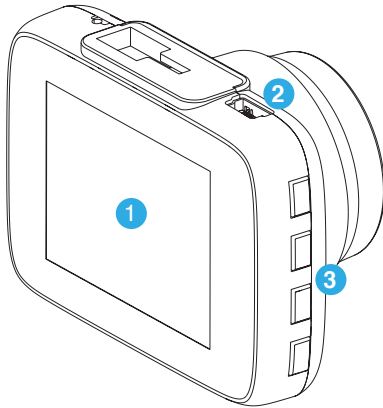
### 3. PRODUCT SPECIFICATIONS

<b>Screen:</b>	2" IPS
<b>Resolution:</b>	720P / 30FPS
<b>Frequency:</b>	2.4 GHz
<b>Operating Voltage:</b>	DC 12V / 24V - Cigarette Lighter Adapter (CLA)
<b>Operating Temperature:</b>	14°F~140°F (-10°C~60°C)
<b>Viewing Angle:</b>	110° Diagonal
<b>Image Sensor:</b>	1MP
<b>Battery Capacity:</b>	180mAh

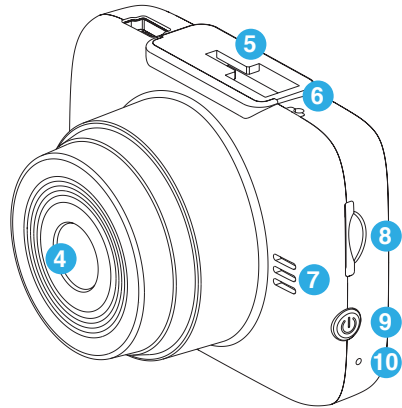
### 4. PRODUCT DIMENSION



## 5. PRODUCT OVERVIEW



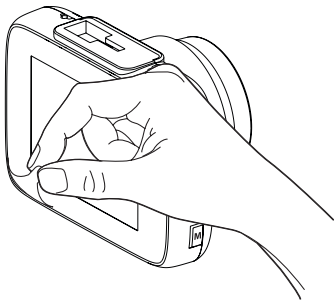
1. Display Screen
2. Mini USB Power Input
3. Function Buttons
4. Camera Lens
5. Mounting Socket



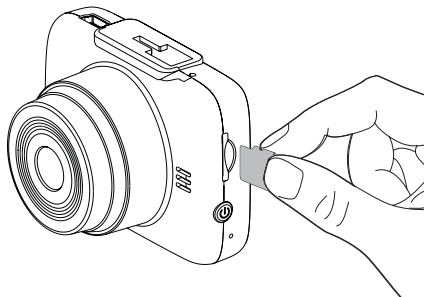
6. Power Reset Hole
7. Speaker
8. MicroSD Card Slot
9. Power Button
10. Microphone

## 6. INSTALLATION

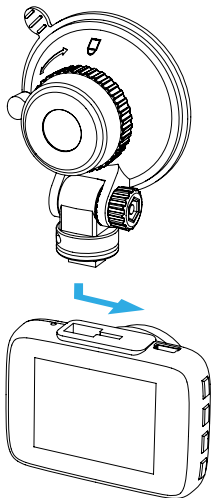
- 1 Peel off the protective film from the display screen.



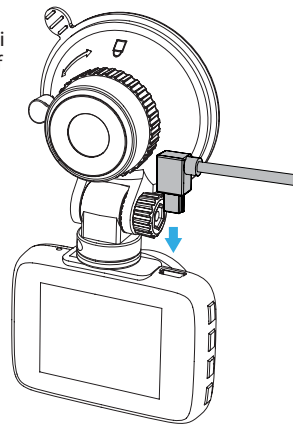
- 2 Insert the MicroSD card into the slot if it's not already in there.



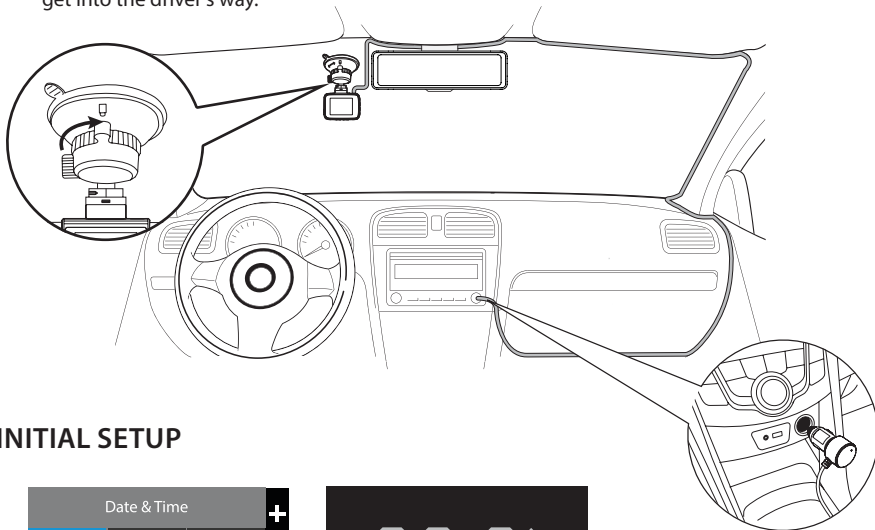
- 3 Attach the windshield mount onto the Dashcam.



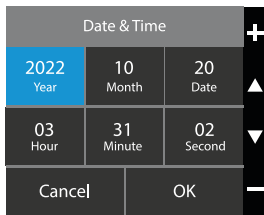
- 4 Plug the power cable into the Mini USB power port of the Dashcam.



- 5 Attach the Dashcam onto your windshield. Utilize the knobs on the mount to tighten the suction cup.
- 6 Route the power cable to your cigarette lighter outlet (12/24V DC outlet) and hide the cable in the headliner and pillars. We recommend going through the passenger side so the cable doesn't get into the driver's way.



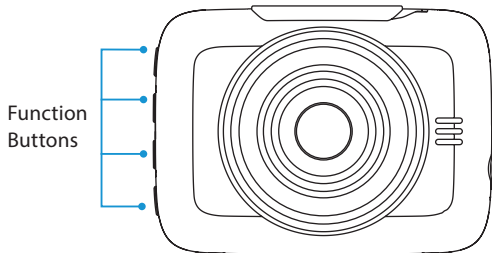
## 7. INITIAL SETUP



Set date & time. The time stamps that appear on the digital clock and all future recordings will follow this setting.



## 8. BUTTON CONFIGURATION



Apply configuration and settings to the Dashcam using the power button and 4 function buttons. Refer to the screen display below for the buttons and their corresponding functions in different modes.

- ⏻ Power Button
  - Master On/Off (press and hold for 3 sec)
  - Wake up from Screen Save (press once)



- ☰ Settings Menu (press once)
- 🔒 Lock/Unlock Video (press once)
- 🎤 Toggle Microphone On/Off (press once)
- Record Video (press once)



- ☰ Settings Menu (press once)
- ↩ Back to Video Mode (press once)
- Snapshot (press once)

**NOTE:** For more information about Dashcam operation please refer to the e-manual on [www.typesauto.com](http://www.typesauto.com).

## 9. CAMERA STATUS & LED INDICATORS

<b>Power / Mode Status</b>	<b>LED Indicators</b>
<b>Power On</b> Dashcam powers ON when the engine is turned on. To manually power ON, press and hold the power button for more than 3 seconds .	Red and Blue LED lights stay on when Dashcam is powering on.
<b>Recording</b>	Blue LED light flashes while Red LED light stays on.
<b>Recording Stopped</b>	Red and Blue LED lights stay on.

## 10. RECORDING TIME

<b>Memory Card Capacity</b>	<b>Total Recording Time (VGA)</b>	<b>Total Recording Time (HD)</b>	<b>Total Recording Time (FHD)</b>
<b>4GB</b>	47 minutes	37 minutes	31 minutes
<b>8GB</b>	94 minutes	75 minutes	63 minutes
<b>16GB</b>	180 minutes	150 minutes	125 minutes
<b>32GB</b>	360 minutes	290 minutes	250 minutes
<b>64GB</b>	750 minutes	600 minutes	500 minutes
<b>128GB</b>	1400 minutes	1100 minutes	900 minutes

**Note:** If you use your own MicroSD card please insert it into the Dashcam and format it before first use.

## 11. TECHNICAL SPECIFICATIONS

### Memory Management

Mode	Resolution	1 Minute Video Size	Loop Period (4GB SD Card)
VGA	640 X 480	80MB	$3778 / 80 = 47$ Minutes
HD	1280 X 720	100MB	$3778 / 100 = 37$ Minutes
FHD	1920 X 1080	120MB	$3778 / 120 = 31$ Minutes

Memory Card Capacity	System Reserve	Event , Video & Photo
4GB	0.2GB	3.7GB
8GB	0.2GB	7.2GB
16GB	0.2GB	14.7GB
32GB	0.2GB	28.8GB
64GB	0.2GB	58.8GB
128GB	0.2GB	109.8GB

## 12. SAFETY INFORMATION

### IMPORTANT SAFETY INSTRUCTIONS

1. SAVE THESE INSTRUCTIONS– This manual contains important safety and operating instructions of 12V/24V Car charger for Model BT533079.
2. Before using the product, read all instructions and cautionary markings.
3. Do not expose car charger to rain, moisture, or snow.
4. Use of an attachment not recommended or sold by the product manufacturer may result in a risk of fire, electric shock, or injury to persons.
5. To reduce risk of damage to cigarette lighter connector and cord, pull by cigarette lighter connector rather than cord when disconnecting car charger.
6. Make sure the cord is located so that it will not be stepped on, tripped over, or otherwise subjected to damage or stress.
7. Do not operate the car charger with a damaged cord or cigarette lighter connector – replace the damaged items with new factory replacement items immediately.
8. Do not operate the car charger if it has received a sharp blow, been dropped, or otherwise damaged in any way; take it to a qualified serviceperson.
9. Do not disassemble the car charger; take it to a qualified serviceperson when service or repair is required. Incorrect reassembly may result in a risk of electric shock or fire.
10. To reduce risk of electric shock, unplug the charger before attempting any maintenance or cleaning. Turning off controls will not reduce this risk.

**WARNING:** A failure to read and follow these warnings and instructions may result in a serious accident, including damaged property or a serious injury, including loss of life.

- The Dashcam is designed as an aid to the driver in detecting large stationary objects to help avoid damaging the vehicle. However, you, the driver, must use it safely and properly. Use of the Dashcam is not a substitute for safe, proper and legal driving.
- Never depend on the Dashcam entirely when driving and backing up. The image on the screen is different from actual conditions. Objects viewed in the Dashcam display screen differ from actual distance because a wide-angle lens is used.
- The area displayed by the Dashcam is limited. The Dashcam does not display objects that are out of the Dashcam's field of view. The area displayed on the screen may vary according to vehicle orientation or road conditions.
- Be sure to check the Dashcam's position and mounting angle before each use.

- Do not strike the Dashcam. It is a precision instrument. Otherwise, it may malfunction or cause damage resulting in a fire or an electric shock.
- This product will only provide images of items that are within the field of view of the Dashcam. Thus, it is imperative that the Dashcam should be kept clean and unobstructed.
- Adhere to all applicable traffic laws and motor vehicle regulations applicable to the device.
- Consult local laws and regulations for any restrictions on installation or use.
- Never allow children to play with the device. Small parts may be a choking hazard.
- There is a plastic cover over the Dashcam. Do not scratch the cover when cleaning dirt or snow from the cover.
- If the temperature changes rapidly, the system may not operate normally.
- If you replace the tires, the area displayed on the monitor may change and you may need to adjust the camera.
- When strong light directly enters a Dashcam, objects may not be displayed clearly.
- The screen may flicker under fluorescent light.
- The colors of objects on the Dashcam may differ from those of the actual object.
- Do not use alcohol or thinner to clean the Dashcam. This will cause discoloration. To clean the Dashcam, wipe with a clean cloth dampened with mild cleaner diluted with water and then wipe with a dry cloth.

### **SAFETY AROUND AND BEHIND OTHER VEHICLES**

Many preventable injuries and deaths occur in driveways or parking lots when drivers do not see children, pets, or others near their vehicles. Here are a few safety tips that will help you to avoid a back-over accident:

- Walk completely around your vehicle before getting in. Check for kids, toys, and pets before entering the vehicle and starting the engine.
- Know where children are. Have children stand in a place where they are in full view.
- Be aware of young children. Young children are small and hard to see.
- Parents, caregivers and all adults need to be vigilant in supervising children, especially when children are in the yard, driveway or parking lot playing near parked cars.
- Roll down your window so you will be able to hear what is happening outside your vehicle.
- Owners of SUVs, trucks, and vans need to take extra care to avoid hitting or running over a child.
- Teach children to move away from a vehicle whenever it is started.

## 13. MAINTENANCE & WARRANTY

### CLEANING

- If dirt, lint, or just is on the Dashcam, the display screen may not clearly display objects. Rinse with water and wipe with a dry cloth.
- Do not use alcohol, benzene or thinner to clean the Dashcam. This will cause discoloration. To clean the Dashcam, wipe with a clean cloth dampened with mild cleaner diluted with water and then wipe with a dry cloth.

### WARRANTY

#### • TYPE S

##### LIMITED WARRANTY

TYPE S warrants, to the original purchaser, that its products are free from defects in material and workmanship for 1 year from the date of original purchase. Where permitted by law, TYPE S liability shall be limited to that set forth in this limited express warranty. This limited express warranty shall be the exclusive remedy of the purchaser and TYPE S makes no other warranty of any kind aside from the limited express warranty stated above.

**Note:** Warranty only applies for North American customers of purchases made in North America.

### CONDITIONS OF WARRANTY

If during the 1 year warranty period your new product is found to be defective, TYPE S will repair such defect, or replace the product, without charge for parts or labor subject to the following conditions:

1. All repairs must be performed by TYPE S.
2. All warranty claims must be accompanied by a copy of the sales receipt or bill of sale.
3. The equipment must not have been altered or damaged through negligence, accident, improper operation, or failure to follow the product instructions for installation, use, or care.
4. The replacement of parts is excluded from the warranty when replacement is necessary due to normal wear and tear.
5. Repair or replacement parts supplied by TYPE S under this warranty are protected only for the unexpired portion of the original warranty.

6. This is a “repair or replace” warranty only, and does not cover the costs incurred for the installation, removal or reinstallation of the product, or damage to any mobile phone device or vehicle.

#### **OWNER’S RESPONSIBILITIES:**

TYPE S will make every effort to provide warranty service within a reasonable period of time. SHOULD YOU HAVE ANY QUESTIONS ABOUT SERVICE RECEIVED OR IF YOU WOULD LIKE ASSISTANCE IN OBTAINING SERVICE, PLEASE CALL TOLL FREE 1.866.294.9244 DURING REGULAR BUSINESS HOURS MONDAY THROUGH FRIDAY 8:00 AM TO 5:00 PM.

**Note:** Toll Free # is for North America Customers ONLY. See Customer service section for customer contact numbers for other regions/offices.

For customer service and technical support, please call us at 1.866.294.9244. If at that time it is determined that a replacement unit is needed, the support representative will issue a Return Authorization and instruct on how to get a new unit. TYPE S makes no other warranty of any kind aside from the limited express warranty stated herein.

DISCLAIMER OF WARRANTIES, INCLUDING WARRANTY OF MERCHANTABILITY AND WARRANTY OF FITNESS FOR PARTICULAR PURPOSE: EXCEPT AS SPECIFICALLY SET FORTH HEREIN, NO WARRANTY OR REPRESENTATION, EXPRESS OR IMPLIED, IS MADE AS TO THE Dashcam. EXCEPT AS EXPRESSLY SET FORTH HEREIN, TYPE S AND/OR ITS AFFILIATES EXPRESSLY DISCLAIMS, WITHOUT LIMITATION, ANY STATUTORY WARRANTIES AND ALL IMPLIED WARRANTIES, INCLUDING ANY IMPLIED WARRANTY OF MERCHANTABILITY OR FITNESS FOR A PARTICULAR PURPOSE.

TYPE S and/or its affiliates do not guarantee or promise that the user of Dashcam will not be in an accident or otherwise not collide with an object and/or person. Our Dashcam is not intended in any way to be a substitute for careful and cautious driving or for the consistent adherence to all applicable traffic laws and motor vehicle safety regulations.

The Dashcam is not intended to be a substitute for rearview mirrors or for any other motor vehicle equipment mandated by law. Even when properly installed, our Dashcam has a limited field of vision and does not provide a comprehensive view of the rear area of the vehicle.

TYPE S and/or its affiliates are not responsible for a user's intended or actual use of the Dashcam. In no event shall TYPE S and/or its affiliates have any liability for any losses (whether direct or indirect, in contract, tort or otherwise) incurred in connection with the Dashcam, including but not limited to damaged property, personal injury and/or loss of life. Neither shall TYPE S and/or its affiliates have any liability for any decision, action or inaction taken by any person in reliance on the Dashcam, or for any delays, inaccuracies and /or errors in connection with the Dashcam and its functioning.

TYPE S and/or its affiliates shall have no responsibility or liability for damage and/or injury resulting from accidents occurring with vehicles having the installed, and TYPE S and/or its affiliates, the manufacturer, distributor and seller shall not be liable for any injury, loss or damage, incidental or consequential, arising out of the use or intended use of the product.



## 14. GENERAL INFORMATION

### CUSTOMER SERVICE/CONTACT

IF YOU ARE EXPERIENCING ANY ISSUES WITH THE PRODUCT DURING OPERATION, DO NOT RETURN THE PRODUCT TO THE STORE. CONTACT TYPE S DIRECTLY FOR INSTRUCTIONS ON HOW TO RETURN/ EXCHANGE THE PRODUCT.

#### FCC Compliance Statement:

This device complies with Part 15 of the FCC rules. Operation is subject to the following two conditions: (1) This device may not cause harmful interference, and (2) this device must accept any interference received, including interference that may cause undesired operation.

Warning: Changes or modifications to this unit not expressly approved by the party responsible for compliance could void the user's authority to operate the equipment. The manufacturer is not responsible for any radio or TV interference caused by unauthorized modifications or change to this equipment. Such modifications or change could void the user's authority to operate the equipment.

**Note:** This equipment has been tested and found to comply with the limits for a Class B digital device, pursuant to part 15 of the FCC Rules. These limits are designed to provide reasonable protection against harmful interference in a residential installation. This equipment generates, uses and can radiate radio frequency energy and, if not installed and used in accordance with the instructions, may cause harmful interference to radio communications. However, there is no guarantee that interference will not occur in a particular installation. If this equipment does cause harmful interference to radio or television reception, which can be determined by turning the equipment off and on, the user is encouraged to try to correct the interference by one or more of the following measures:

- Reorient or relocate the receiving antenna.
- Increase the separation between the equipment and receiver.
- Connect the equipment into an outlet on a circuit different from that to which the receiver is connected.
- Consult the dealer or an experienced radio/TV technician for help.

S1 720P Dashcam

BT533079

Responsible Party:

TYPE S

2975 Red Hill Ave., Ste. 100,  
Costa Mesa, CA 92626, U.S.A.

Tel: 1-866-294-9244





A Horizon Brands Company  
2975 Red Hill Ave., Ste. 100, Costa Mesa, CA 92626, U.S.A.  
1.866.294.9244 | [info@typesauto.com](mailto:info@typesauto.com)  
©2022 TYPE S. All rights reserved.  
[www.typesauto.com](http://www.typesauto.com)

ML-533079\_V1