

GUARANTEE

To return your products, please see your delivery note.
After Sales Support Email: info@iaobosi.com
[Http://www.iaobosi.com](http://www.iaobosi.com)


Thank you for purchasing our products which has been made to demanding high quality standards and is guaranteed for a period of 12 months from the date of purchase against manufacturing faults.

If your product fails due to a defect in material or workmanship within 12 months, please return it to the place of purchase.

This guarantee does not affect your statutory rights.
Any guarantee is invalid if our products has been misused or subject to neglect or an attempted repair other than by our own service centre.

Due to continuous product improvement, we reserve the right to change the product specification without prior notice.

✕ -----

 **Warranty Card**

Article: _____
Model: _____

Owner's Name: _____
Address: _____
Tel: _____

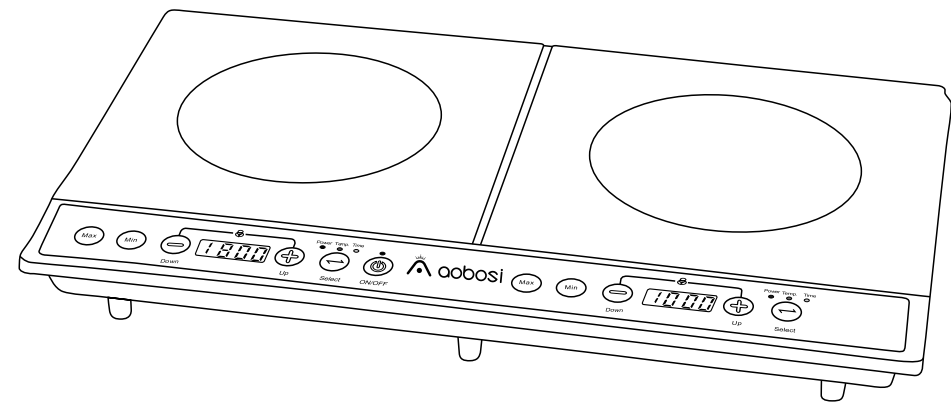
Purchase Date: _____
Dealer's Name & Stamp: _____
Address: _____
Tel: _____

Please fill in this table and email it within 10 days from the date of purchase.



Instruction Manual

Model: FYM28-S01(CHK)



CE

Double Induction Cooker

Compatible Cookware

1. Suitable pots and containers

Pots made of enamel iron, steel, stainless steel, cast iron, should be of between 12cm and 26cm in diameter. Look for this induction image on the retail box:



Stainless pot



Iron plate



Frying pan



Coloured pot



Ferrite enamel kettle



Sauce pan



cast pan

Note: 1. It's necessary to use suitable pots and containers. Pan test with a magnet: if the magnet "sticks" to the base of the pan, then it is suitable for use with induction cooking.



2. Look for this induction image on the retail box:

2. Unsuitable cookware

Containers made of aluminum, copper or aluminum alloy should not be used on the cooker as well as those whose diameter is less than 12cm, or diameter is more than 26cm.



Any pottery



Refractory glass pot



Aluminum pot



Container with arc shape bottom



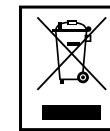
Bottom diameter less than 12cm or bottom diameter more than 26cm.

Technical Data

Power supply:220-240 V~, 50 Hz
 Power consumption:2800 W
 Protection class: II
 Net weight:approx. 4. kg

The right to make technical and design modifications in the course of continuous product development remains reserved.

This device has been tested according to all relevant current CE guidelines, such as electromagnetic compatibility and low voltage directives, and has been constructed in accordance with the latest safety regulations.



Disposal

Meaning of the "Wheelie Bin" Symbol

Take care of our environment, do not dispose of electrical appliances via the household waste.

Dispose of obsolete or defective electrical appliances via municipal collection points.

Please help to avoid potential environmental and health impacts through improper waste disposal.

You contribute to recycling and other forms of utilization of old electric and electronic appliances.

Your municipality provides you with information about collecting points.

⚠ CAUTION:

- Do not use a wire brush or any abrasive items.
- Do not use any acidic or abrasive detergents.

Glass ceramic Hob

- Clean the surface from food remains when it's still warm using a moist cloth or tissue.
- Wash the hob using a soft sponge and some water, then wipe dry with a soft cloth.
- Cleaning agent for glass-ceramics surfaces:** In case of stubborn, baked-in remains, use suitable cleaning products available at special departments of department stores.

Housing

- Clean the housing after use using a slightly moist cloth.
- Make sure that no fluid matter gets into any of the openings of the housing. This might damage the device or result in an electric shock.

Storage

- Only store the appliance clean and after it has cooled down.
- During longer periods of non-use we recommend storing the appliance in its original packaging.
- Always store the appliance in a well-ventilated and dry place out of reach of children.

⚠ CAUTION: Risk of breakage!
Please note that the glass ceramic surface can be damaged by heavy or falling objects.

Troubleshooting

- Device does not function, no indication on the display.**

Remedy:
Check the mains connection.

- Several warnings will sound after the appliance has been turned on and after the cooking function has been selected.**

Possible cause:
No cookware or unsuitable cookware was placed onto the plate.

i NOTE:
For safety reasons, the appliance will switch to standby mode after about 30 seconds.

Remedy:
Put a pot on the hob that is suitable for induction hobs.

- The hob suddenly switches off during operation.**

Possible cause:
The thermal cut-off is activated.

Remedy:
Disconnect the appliance from mains power supply and let it cool down for approx. 20 minutes. Then start operating the device again.

Further cause:
The ventilation slots are obstructed.

Remedy:
Free the ventilation slots from any obstructions.

Further cause:
The hot plate was automatically switched off after 120 minutes.

Error messages

During operation the following error messages can be displayed:

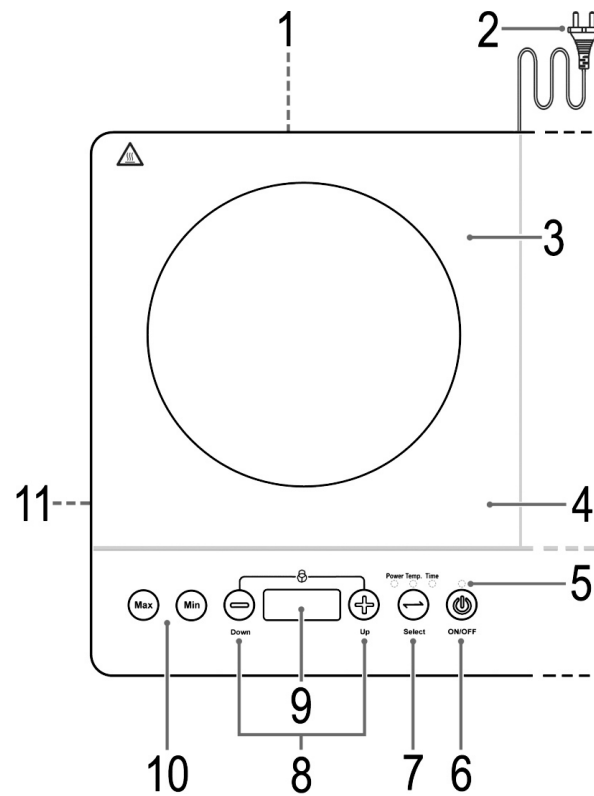
Message	
E0	The cookware is unsuitable.
E01	Temperature sensor IGBT has failed.
E02	Overheating.
E03	Problem with power supply. Check the power supply!

ENGLISH

Contents

Overview of the Components Page 3
 Instruction Manual Page 7
 Technical Data Page 10
 Disposal Page 10

Overview of the Components



Overview of the Components

- 1 Air outlet
- 2 Mains plug
- 3 Housing
- 4 Glass ceramic surface
- 5 Indicator lights POWER / TEMP. / TIME / ON/OFF
- 6 ON/OFF (on/standby button)
- 7 selector button
- 8 Setting the power / temperature / turn-off time
 - UP increase
 - DOWN reduce
- 9 Display
- 10 Direct selection of the highest or lowest power setting
 - highest
 - lowest
- 11 Air inlet

3

----Control by temperature

Step1: Temperature

- Then touch "SELECT" key for the three times and the indicator light of "Temp." will light up, the screen will display with "240". The default temperature is 240°C.
- Touch "+/-"key to adjust desired temperature (60°C to 240°C)

Step2: Set Shut-off Time (optional)

- Touch "SELECT" again, the indicator light of "Temp" will light up, the indicator light of "Time" will flicker, the screen will display "0". The default time is 0 minute.
- Adjust the time (0-180minutes) by touch "+/-", and the indicator light and screen display of "Temp." and "Time" will light alternately. Eg.: Set 5 minute, the hob will shut off after 5minutes.

Note: If you don't set time, you can turn the hob off with ON/OFF button.

5. Turn the appliance off directly with the ON/OFF button. Or auto shut-off after 120 minutes with no input during this period.

Note: 1. The time setting changes in intervals of 5 minutes.
 2. The temperature setting changes in intervals of 20°C
 3. You must press the SELECT button within 60s, otherwise the appliance will shut off. The indicator light above the ON/OFF button turns off.

Left hob optional Power (W)

Power (W)	500	800	1200	1500
-----------	-----	-----	------	------

Left hob optional Temp.(°C)

Temp. (°C)	60	80	100	120	140	160	180	200	220	240
------------	----	----	-----	-----	-----	-----	-----	-----	-----	-----

Right hob optional Power (W)

Power (W)	500	800	1000
-----------	-----	-----	------

Right hob optional Temp.(°C)

Temp. (°C)	60	80	100	120	140	160	180	200	220	240
------------	----	----	-----	-----	-----	-----	-----	-----	-----	-----

Key lock

To safeguard against unwanted use, the appliance is equipped with a disable function.

- In order to activate the key lock, simultaneously press the UP and DOWN buttons after you have completed your desired settings. The display will show "L".
- Press the UP and DOWN buttons again at the same time to cancel the disable function.

NOTE:

When the key lock has been activated, all buttons are locked except for the ON/OFF button. The appliance can only be operated again after unlocking it.

Automatic shut-off

The hot plate turns off automatically after 120 minutes, if no input was given over the operator control panel during this time. This switching serves as security for you.

Pan recognition

The device has a pot recognition function. It gives several warnings to indicate that the cookware has been removed. The message "E0" appears on the display. For safety reasons, the appliance will switch to standby mode after about 30 seconds. The fan may continue running.

In this context, please pay attention to the following:

WARNING:

After use, the hot plate is to be switched off by means of its regulation and control devices ON/OFF button and not just by pan recognition.

WARNING: Hazard of burns!

Because of the heat radiated during cooking, dangerously high temperatures may occur at the cooking zone after the cooking cycle.

Cleaning

WARNING:

- Always remove the mains lead before cleaning!
- Wait until the machine has cooled down completely!
- Under no circumstances should you immerse the device in water for cleaning purposes. Otherwise this might result in an electric shock or fire.

Unpacking the appliance

1. Remove the appliance from its packaging.
2. Remove all packaging materials such as films, filler material, cable clips and carton.
3. To prevent hazards, check the appliance for any transport damage.
4. In the case of damage, do not operate the appliance. Return it to your dealer immediately.

i NOTE:

Production residue or dust may have collected on the appliance. We recommend cleaning the appliance according to chapter "Cleaning".

Electrical Connection

Connected load/wattage

The hob can take up an overall load of 2800 W. Because of this high connected load it is recommended to use a separate connection protected over a 12 A safety switch.

⚠ CAUTION: Overload!

Do not use extension cables or multiple sockets as the power consumption of this device is too high for these.

Connection

- Before inserting the mains plug into the socket check whether the voltage which you intend to use corresponds to that of the machine. Please see the label on the machine for details.
- Only connect the machine to a correctly installed safety socket.

Instruction Manual

※ Before the first use

1. When unpacking your unit, make sure that you carefully remove all of the packaging materials.
2. Before using the appliance for the first time, be sure that it is placed horizontally at least 4 inch away from all sides of the wall, curtains, etc.
3. Use an individual socket with more than 12A capacity. Never use a universal socket or share a socket with other appliances. If the use of a multiple socket is indispensable assure that those elements respect the limit power. The appliance must be placed on a flat, firm and dry surface. Never move the appliance when it is in process.
4. When using the appliance you can hear a noise due to high frequency electromagnetic Wave and the working fan. This is normal and non dangerous.

5. The two hobs can work separately.
6. The appliance has a fine sensor. A light touch of the control panel with the finger is sufficient. Use the finger, not the tip of the finger.
7. Each registered touch is confirmed by a beep.
8. In the event that the appliance does not react when you press the buttons, clean the control panel with a soft dry cloth. Even a thin film of water can make the operation difficult.
9. Ensure that the control panel is always clean and dry and that it is not covered by objects of any kind.

※ Operating Instruction

1. Plug in the socket, the buzzer will sound with "DI".
2. Place ferromagnetic cookware (with water, oil or food already inside) on the cooking zone.
3. Press ON/OFF, Both burners are in standby. The indicator light above the ON/OFF button lights up. The fan starts running.
4. Press the SELECT button to select the power, shut-off time or temperature. The indicator lights of POWER, TIME and TEMP will show the selection. Using the +/- keys to increase/ reduce the settings at any time. The burner will work after pressing the SELECT button. This hob provides two modes "Control by power" and "Control by temperature" as different people may be familiar with power or temperature.

----Control by Power

Step1: Set Power

-Touch the key of "SELECT" for the first time, the indicator light of "ON/OFF" and "Power" will light up, the screen display with "1200". The default power is 1200W.

-Touch "+/-" key to adjust power from 500W to 1800W. Or touch the "Max" or "Min" key to quickly switch to 1800W or 500W.

Step2: Set Shut-off Time (optional)

-Touch "SELECT" for the second time, the indicator light of "Power" will light up, the indicator light of "Time" will flicker, the screen will display "0". The default time is 0 minute.

-Adjust the time (0-180minutes) by touch "+/-", and the indicator light and screen display of "Temp." and "Time" will light alternately. Eg.: Set 5 minute, the hob will shut off after 5minutes.

Note: If you don't set time, you can turn the hob off with ON/OFF button.

General Notes

Thank you for choosing our product. We hope you will enjoy using the appliance.

Symbols in these Instructions for Use

Important information for your safety is specially marked. It is essential to comply with these instructions in order to avoid accidents and prevent damage to the machine:

⚠ WARNING:

This warns you of dangers to your health and indicates possible injury risks.

⚠ CAUTION:

This refers to possible hazards to the machine or other objects.

i NOTE:

This highlights tips and information.

Read the operating instructions carefully before putting the appliance into operation and keep the instructions including the warranty, the receipt and, if possible, the box with the internal packing. If you give this device to other people, please also pass on the operating instructions.

- The appliance is designed exclusively for private use and for the envisaged purpose. This appliance is not fit for commercial use.
- Do not use it outdoors. Keep it away from sources of heat, direct sunlight, humidity (never dip it into any liquid) and sharp edges. Do not use the appliance with wet hands. If the appliance is humid or wet, unplug it immediately.
- When cleaning or putting it away, switch off the appliance and always pull out the plug from the socket (pull the plug itself, not the lead) if the appliance is not being used and remove the attached accessories.
- Do **not** operate the machine without supervision. If you leave the room you should always turn the device off. Remove the plug from the socket.
- The device and the mains lead have to be checked regularly for signs of damage. If damage is found the device must not be used.
- Use only original spare parts.
- In order to ensure your children's safety, please keep all packaging (plastic bags, boxes, polystyrene etc.) out of their reach.

⚠ WARNING!

Don't let small children play with foils for **danger of suffocation!**

Specific safety notes for induction hot plates

On the products you will find symbols that indicate warnings or provide information:



WARNING: Hot surface! **Danger of burns!**

- During operation the temperature of the exposed surface may be very hot.
- The induction cooker initially heats only the base of the cooking utensils used, not the cooking zone itself. However, because of the heat radiated during cooking, dangerously high temperatures may also occur at the cooking zone after the cooking cycle.
- **Induction heat!** Metal objects as, e.g., knives, forks, spoons and pot lids should not be placed on the cooking zone as they may get hot.

⚠ WARNING:

- **Glass-ceramic surface!** If the surface is damaged or has cracks the device must be switched off to avoid the hazard of electrical shocks.
- **Potential damage to your health!** People wearing pacemakers must not use this cooker. You should keep a minimum distance of 60 cm to the appliance when it is in use.

⚠ CAUTION:

- To prevent damage, do not place any rough or uneven objects onto the glass ceramic surface.
- Avoid dropping hard or pointed utensils onto the glass ceramic surface.
- Do not place the appliance near objects which are sensitive to magnetic fields (e.g. radio, TV).
- Please do not operate the device with an external timer or a separate remote control system.
- Place the appliance on an even, moisture and heat-resistant surface.
- Use a heat resistant plate when placing on sensitive surfaces.
- Do not move the device when it is in operation.
- Due to the rising heat and vapours the device should not be operated under wall cupboards.
- Keep the unit at a safe distance from easily inflammable objects such as furniture, curtains, etc. (30 cm). Under no circumstances should the device be installed in cupboards.
- Keep a safety distance of 10 cm to the walls.
- Do not heat empty pots on the cooking zone as this may lead to dangerous overheating.

- **Ventilation:** Always keep the ventilation slots free from any obstructions and dirt.
- During and after use, ensure that the power cord does not come into contact with the hot surface of the appliance.
- This appliance can be used by **children** aged from 8 years and above and persons with reduced physical, sensory or mental capabilities or lack of experience and knowledge if they have been given supervision or instruction concerning use of the appliance in a safe way and understand the hazards involved.
- **Children** shall not play with the appliance.
- Cleaning and **user maintenance** shall not be made by **children** unless they are older 8 years and supervised.
- Keep the appliance and its cord out of reach of children less than 8 years.
- Do not try to repair the appliance on your own. Always contact an authorized technician. To avoid the exposure to danger, always have faulty cable be replaced only by the manufacturer, by our customer service or by qualified person and with a cable of the same type.
- This appliance is not designed to be immersed in water during cleaning. Please follow the instructions provided in the chapter "Cleaning".