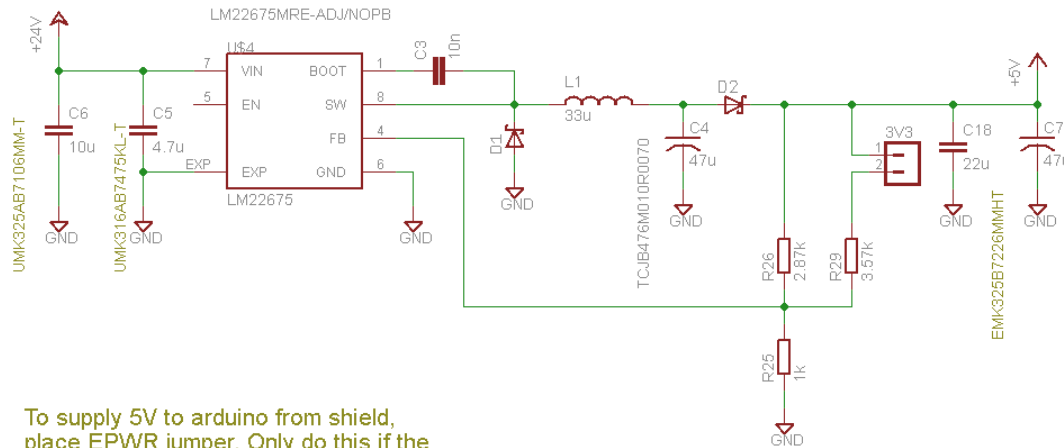
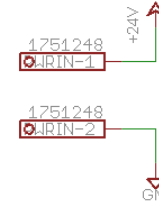
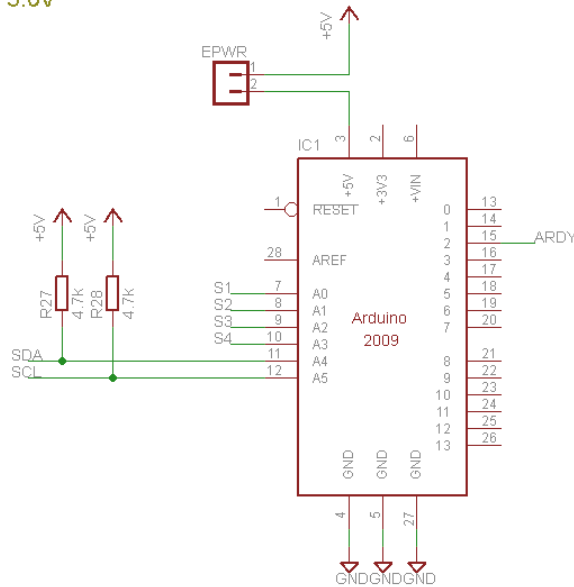


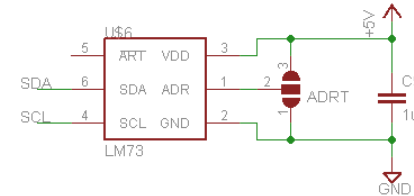
5.0V Supply: Remove jumper 3V3
 3.3V Supply: Place jumper 3V3



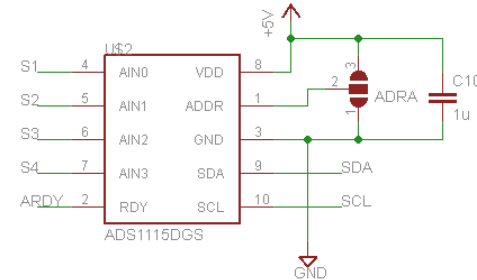
To supply 5V to arduino from shield, place EPWR jumper. Only do this if the shield supply is configured for 5.0V



LM73-0 1-2 Address: 1001001x (default)
 2-3 Address: 1001010x
 Float Address: 1001000x
 LM73-1 1-2 Address: 1001101x
 2-3 Address: 1001110x
 Float Address: 1001100x



1-2 Address: 1001000x (default)
 2-3 Address: 1001001x



TITLE: arduino-420

Document Number:

REV:

Date: 9/15/2014 10:45:07 AM

Sheet: 2/2