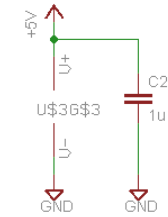
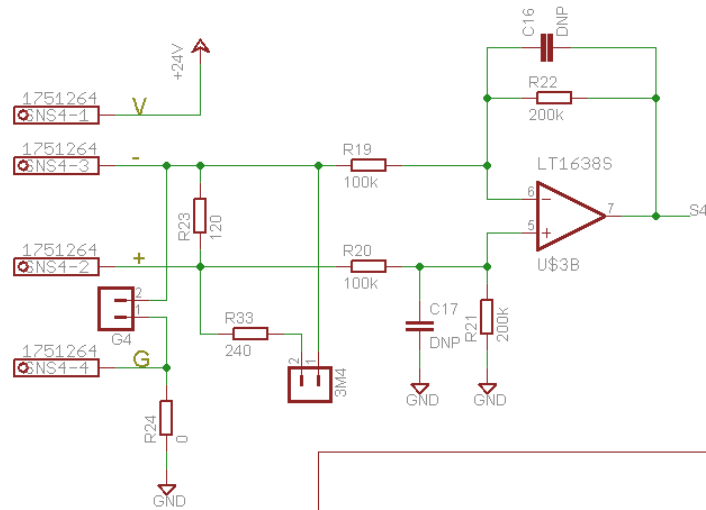
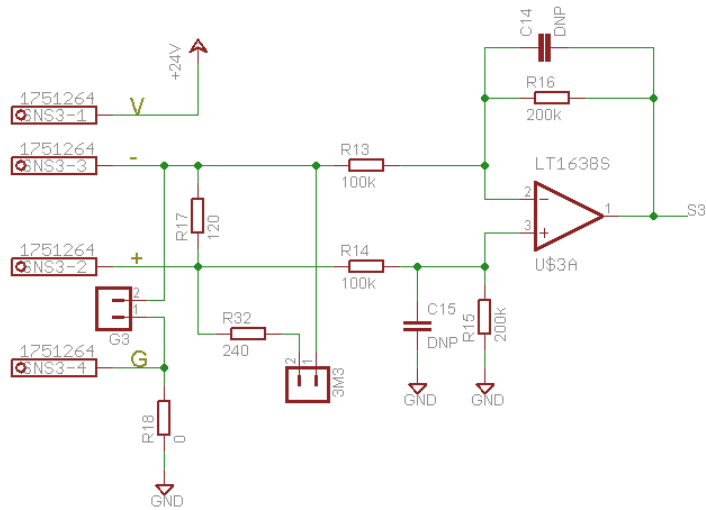
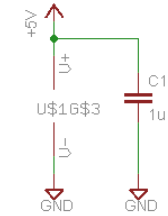
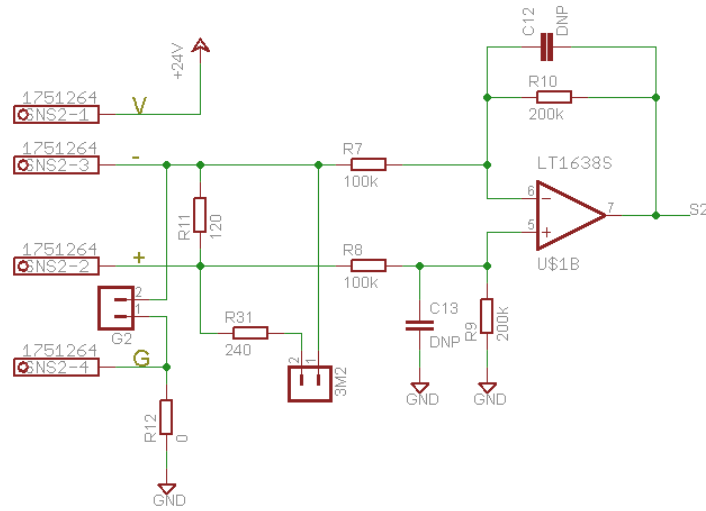
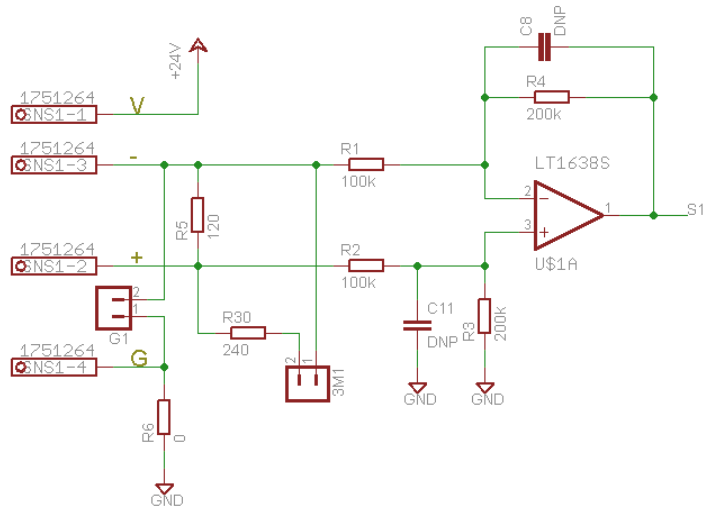


5.0V Measurements: Remove jumpers 3M1, 3M2, 3M3, 3M4
 3.3V Measurement: Place jumpers 3M1, 3M2, 3M3, 3M4



TITLE: arduino-420

Document Number:

REV:

Date: 9/15/2014 10:45:07 AM

Sheet: 1/2