

# TOPSY PRODUCTS

Custom Equipment Design & Fabrication for the Jeep Enthusiast



## Hoist Bracket Installation Instructions

For TJ, YJ and 4 Door JKU & JLU



This kit is designed to use RACOR PHL-1 Hoist (sold separately) to remove the hardtop of a Jeep Wrangler.

### Kit Includes:

- 2 Rear Hinge Brackets (1 left & 1 right)
- 2 Short Rear Hoist Straps w/ Mini Snap Hook
- 1 Long Front Hoist Strap w/ S-Hook

### Tools Needed:

- 10mm Socket



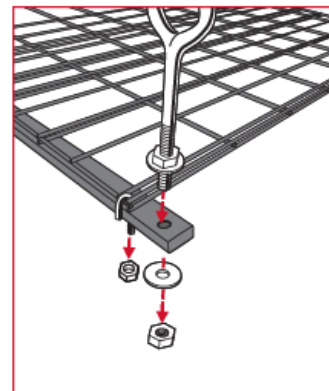
# Installation Instructions

## The world's simplest hard top hoist. Remove your hardtop by yourself!

*First, make sure you have securely installed the Racor Lift according to the manufacturer's instructions. And also make sure the rectangular support bars on the movable platform are running side to side over the Jeep top, NOT front to back.*

### Install Rear Straps on Racor® Hoist (Only work on one side at a time.)

1. On the side of the rear RACOR® Rack that would face the back of the Jeep, remove nut from outermost J-bolt near the eye-bolt and then remove J-bolt.
2. Next, remove bottom nut on the pulley cable eye-bolt and then remove it from platform support. (You may need an extra hand to support the platform during this step)
3. Slide one of the shorter Topsy hoist strap over platform support bar past the two bolt holes and in about 12 inches from the end.
4. Reinstall the cable eye-bolt and J-bolt.
5. Repeat steps on other side. The rear straps should sit about 34" apart.



### Install Hinge Bracket on Jeep Top: (Again, ONLY work on one side at a time!)

1. Open rear glass window. If working on the left side hinge, you may find it easier to remove the rear wiper motor cover to access the bolts on the left side. It just snaps on, so just pull it straight off.
  2. Loosen the 2 mount bolts that connect the hinge to the hard top. They only need to be backed out about 1/4" or about 10 turns.
  3. Next, slide the hinge bracket up under the mount bolts, but over the top of the hinge. Make sure it's pushed up tight against the 2 mount bolts.
  4. Now tighten the 2 mount bolts. (The torque spec is 90 in/lbs. **NOT Ft/LBS!!!**)
- Repeat the steps on the other side.



(Hinge Bracket shown un-painted for contrast)

### Hoist the Top Off:

1. Remove all necessary fasteners of the hardtop as indicated by the vehicles owners manual.
2. Lower the RACOR Rack so it is a few inches above the hardtop.
3. In the front, hook the long strap around the eye-bolt (not through the eye) on one side of the front of the RACOR Rack. Then run it under the front of the top, though the Jeep but OVER the roll bars hooking the other end around the eyebolt on the other side.
4. In the rear, Clip the spring hooks of the 2 short straps to the hinge hangers brackets.
- 5 Crank it up! Your top is now off. Go out and play topless.



Now Available from Topsy Products:

The world's best JKU & JLU door cart.  
No more scratches on your doors!

Check it out at:

**TopsyProducts.com**

Make in Oshkosh WI

