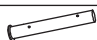








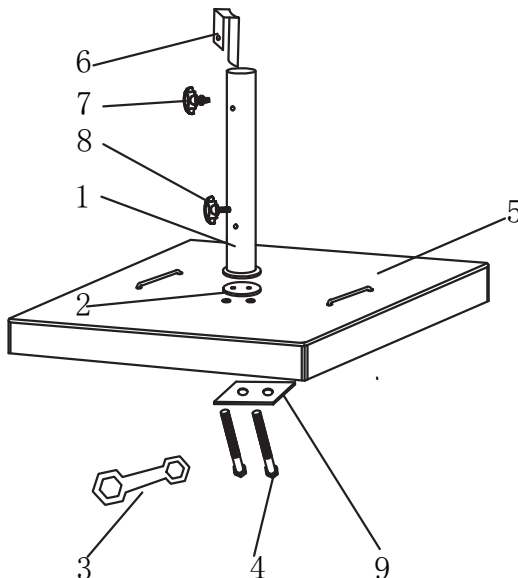

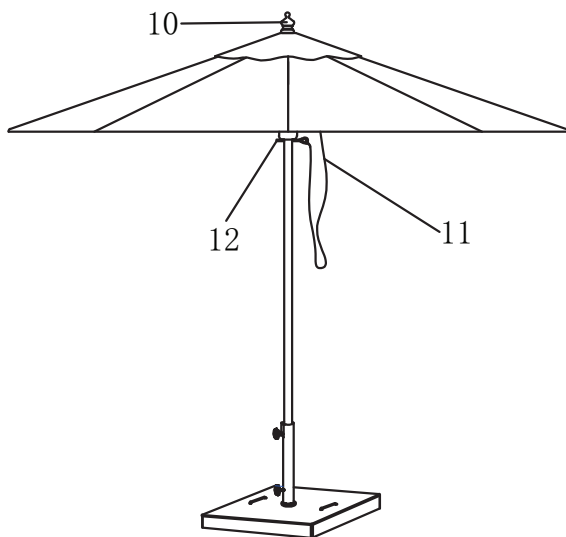


Spare parts & Quantity		
1		1
2		1
3		1
4		2
5		1
6		1
7		1
8		1
9		1



2 people
required for
assembly

Spare parts & Quantity		
1		1



Installation Instructions:

First-Time USE:

1. Place granite base on the required location. Open the carton from the side written "open this side" on carton box. Remove the granite base and all accessories out off carton.
2. Assemble the granite base following the codes. Put (4) through the holes of (9) and let (4) go through the base from the bottom. Put (2) on the centre surface of the base. Put (1) on above of (2) then fix (1) (2) (9) together with (4) by the tool of (3). Make sure every part have been fixed tightly before using.
3. Put (8) (7) (6) on to the correct position as the photo.
4. Open the carton box of the umbrella from the side written "open this side" on carton box. Take out off the umbrella and remove all plastic and foam packing.
5. Fix the top finial (1) onto the umbrella frame.
6. Insert the umbrella pole into the tube of granite base.
7. Fix (6) (7) (8) on the tube of granite base and make sure the umbrella is not shaken.
8. Umbrella is now ready for opening by manually grasping with the rope (11).
9. Pin (12) position may be inserted in any of the 4 pin holes for cover adjustment from tight to looser fit.

Don't use the umbrella in the windy day or bad weather.
Don't allow children to play with the umbrella or base.