


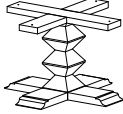


ST TROPEZ DINING TABLE

MCM HOUSE

Assembly instructions

- We suggest you spend a short time reading through this leaflet and then follow the simple step by step instructions.
- Do not discard any of the packaging until you have checked that you have all the parts and the pack of fittings.

PARTS




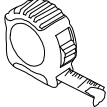
A  Top 1x	B  Base 1x	C  Ø5X50mm 4x	D  Pre Drill Bit 1x
---	--	---	---

REQUIRED

REQUIRED



2 people
required for
assembly

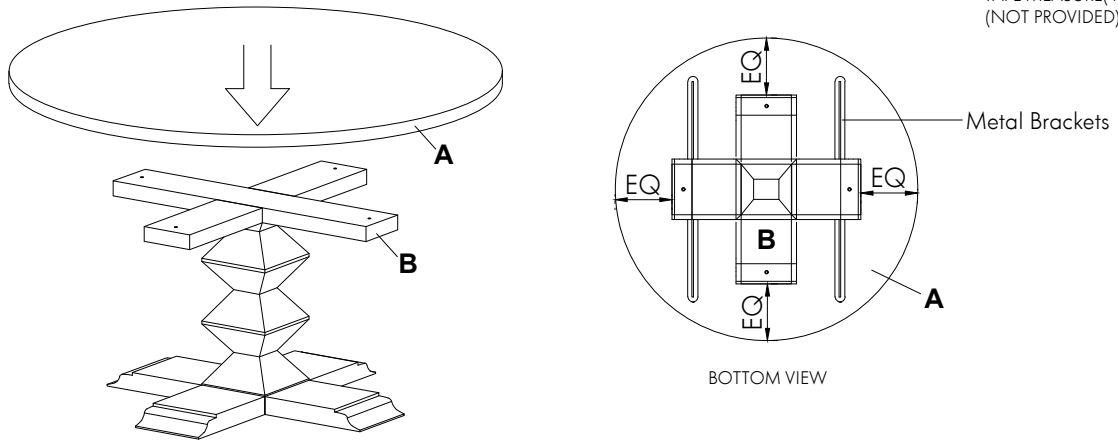
1  Impact Driver	2  Brushless Hammer Drill	3  Phillips Head Bit	4  Tape Measure
--	---	--	---

1

- Place the tabletop, centered on the base ensuring the metal brackets on the underside of the table do not obstruct the 4 screw holes on the table base. This allows the screw to travel directly into the timber top, avoiding the metal brackets.
- With a tape measure ensure the legs are at an even distance to the outside edge of the table top. Refer to drawing.

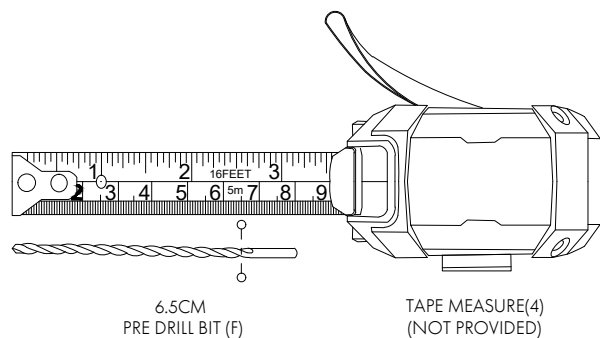


TAPE MEASURE(4)
(NOT PROVIDED)



2

- Using a marker or tape along with your tape measure to determine and mark 6.5cm on your pre drill bit(F).

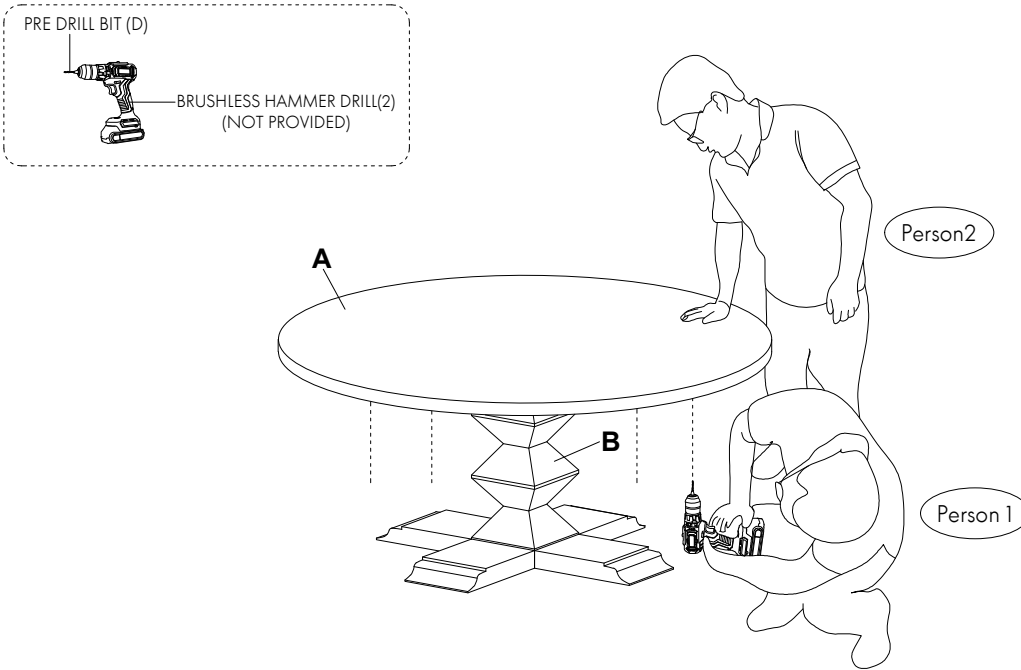


6.5CM
PRE DRILL BIT (F)

TAPE MEASURE(4)
(NOT PROVIDED)

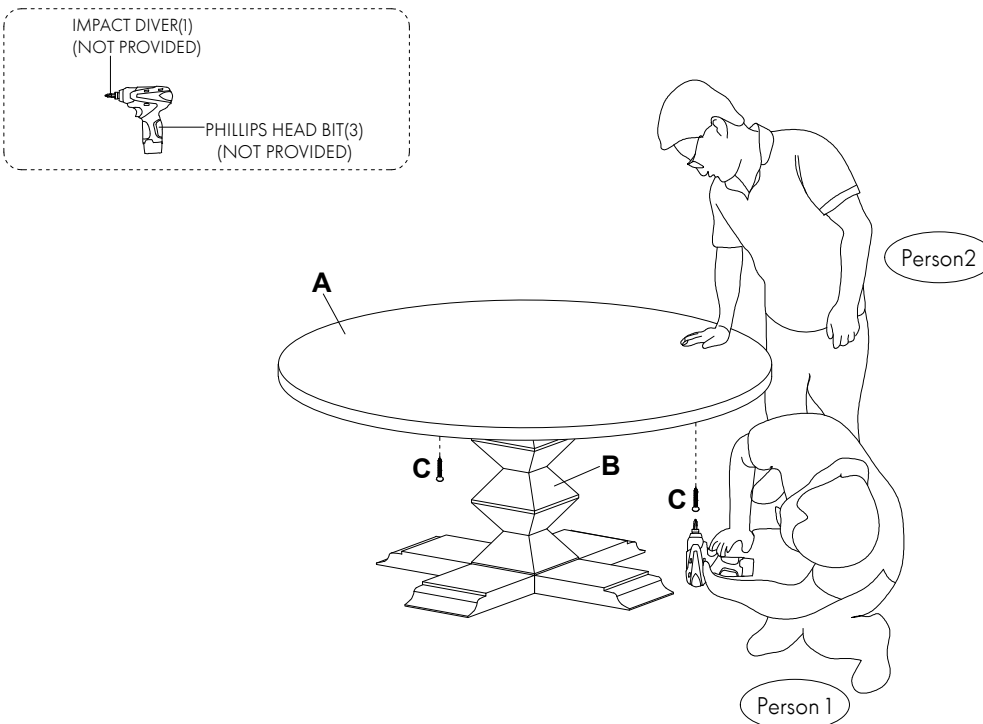
3

- Using the Brushless Hammer Drill(2) and Pre drill bit D (marked 6.5), predrill up through the holes in the base and into your table top, ensuring you do not travel past 6.5cm.
- (Person 1) When drilling up, Drill at a slow even pace applying even pressure.
- (Person 2) Standing above the table and where Person 1 is drilling, apply gentle downward pressure to table top and base.



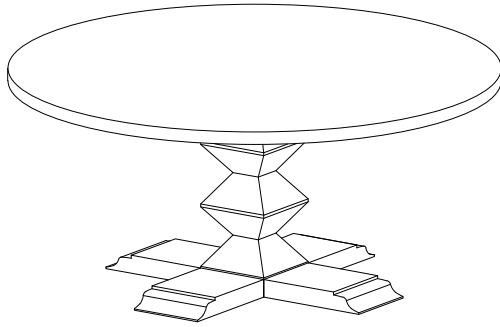
4

- Person 1 switch to impact driver(1) with Phillips Head Bit(3), and using screws C drive the screw up into the tabletop, stopping when you feel the head of the screw come into contact with the stopping block inside the base. Do not continue to drive in past this point.
- Person 2 - apply the same gentle but even pressure downward to assist the screw going in.



5

- Carefully turn the table to be on the right side up and place it in your desired location.



WARNING:

- These table parts can be cumbersome and heavy; the assistance of two or more people is recommended in order to prevent personal injury and ensure the table parts are not damaged during the assembly process.
- Keep fittings out of childrens' reach.