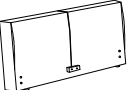


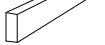







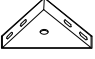







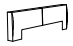




Assembly instructions

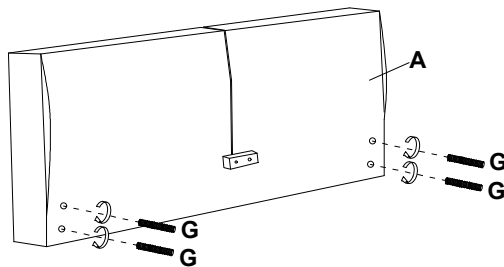
- We suggest you spend a short time reading through this leaflet and then follow the simple step by step instructions.
- Do not discard any of the packaging until you have checked that you have all the parts and the pack of fittings.

PARTS

A  Headboard 1x	B  Left side plate 1x	C  Right side plate 1x	D  Footboard 1x	E  Slats 1x	F  2x	G  M8 8x	H  M10 Spanner 1x
I  M8x30mm 36x	J  M10 2x	K  M8 12x	L  Corner iron 8x	M  2x	N  8x	O  Ø13mm Spring washer 44x	P  Ø18mm Flat washer 44x
Q  Ø28mm Flat washer 2x	R  Allen Key 1x	S  M8 Spanner 1x	T  Headbord Removable Cover 1x	U  Footboard Removable Cover 1x	 2 people required for assembly		

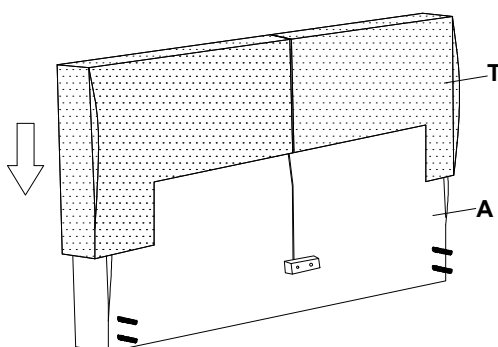
1

- Screw 4 x thread G into Headboard A all the way until the screw stops rotating.



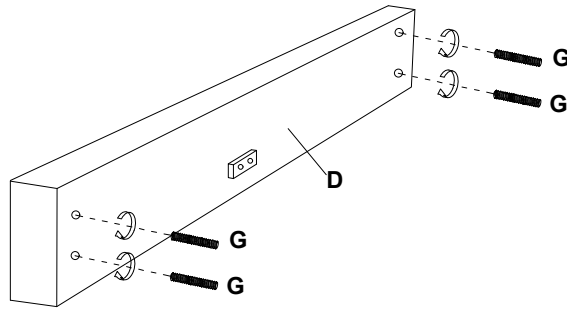
2

- Slip headboard cover T over headbord, fit accordingly to make neat.



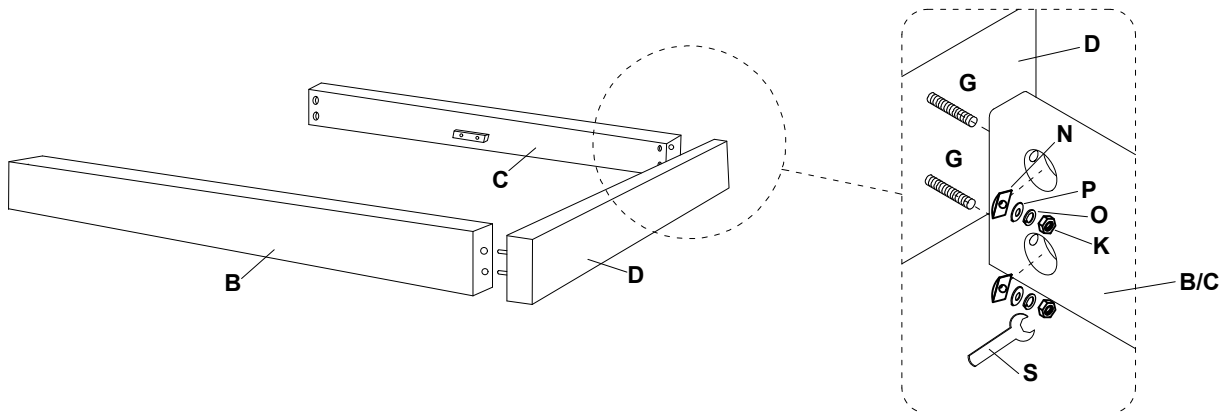
3

- Screw 4x thread G into footboard D all the way until the screw stops rotating.



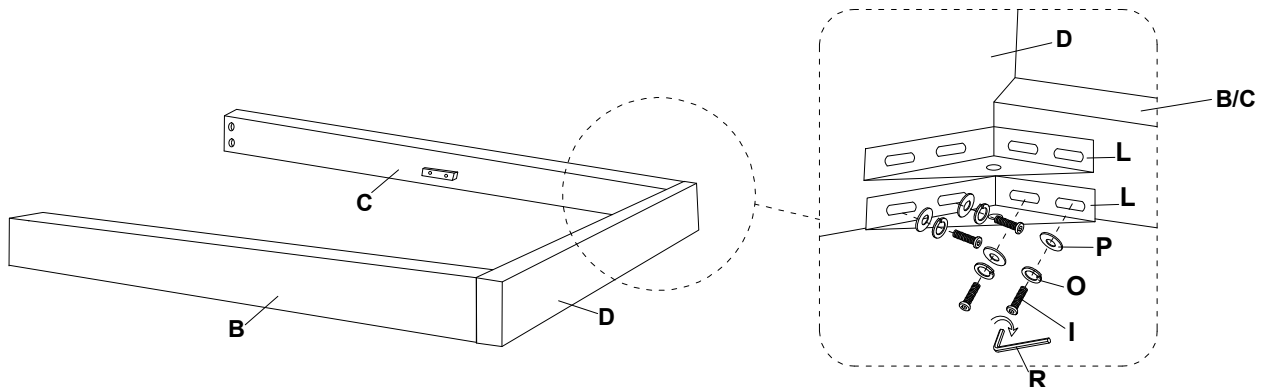
4

- Attach left and Right side plate B and C to footboard D using K, N,O, P, S.



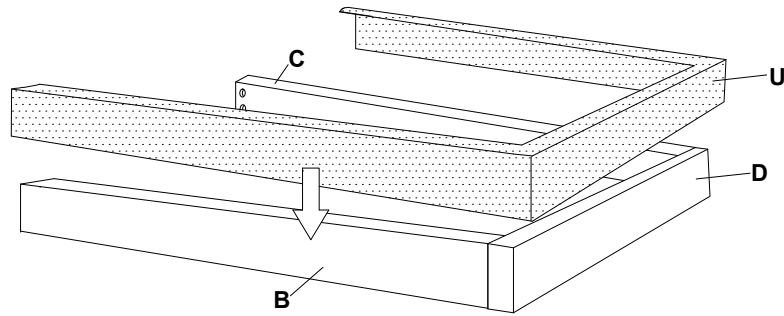
5

- Screw 4x L into the corner of B, C, D using I, L, O, P, R.



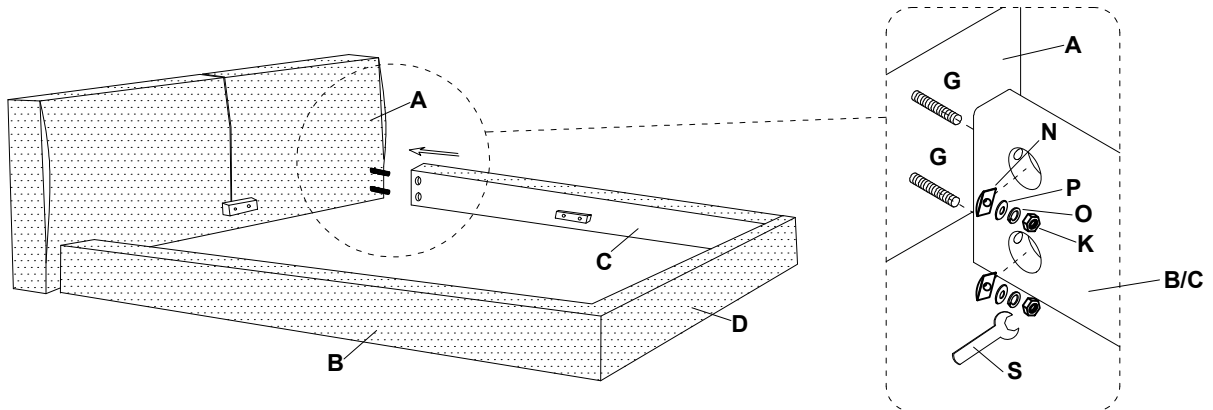
6

- Place the sides and foot board cover U on B,C, D and secure with Velcro.



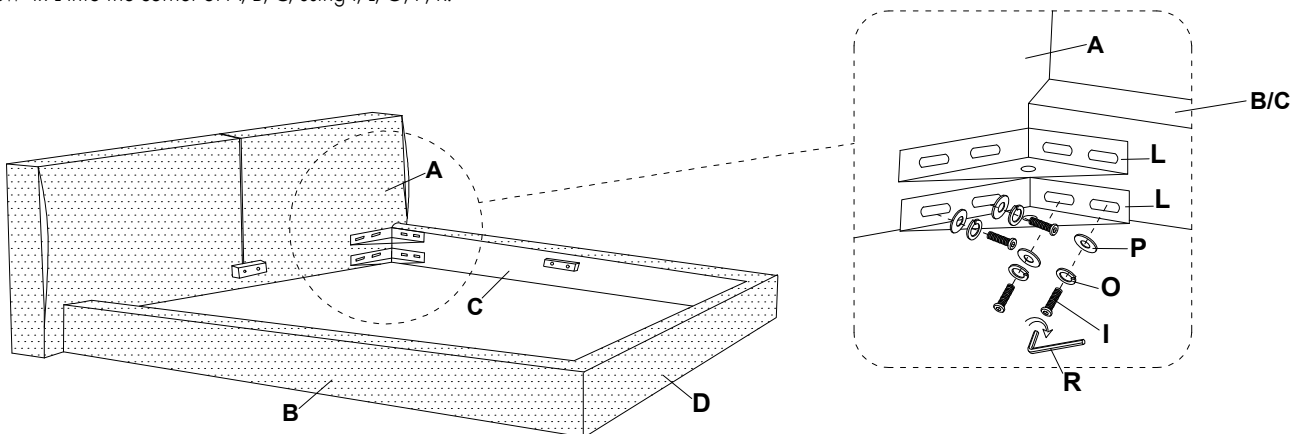
7

- Attach B,C, D to headboard A ensuring that Thread G slides into the holes predrilled in B and C sides.
- Secure B, C and D to headboard using K, N,O, P, S.



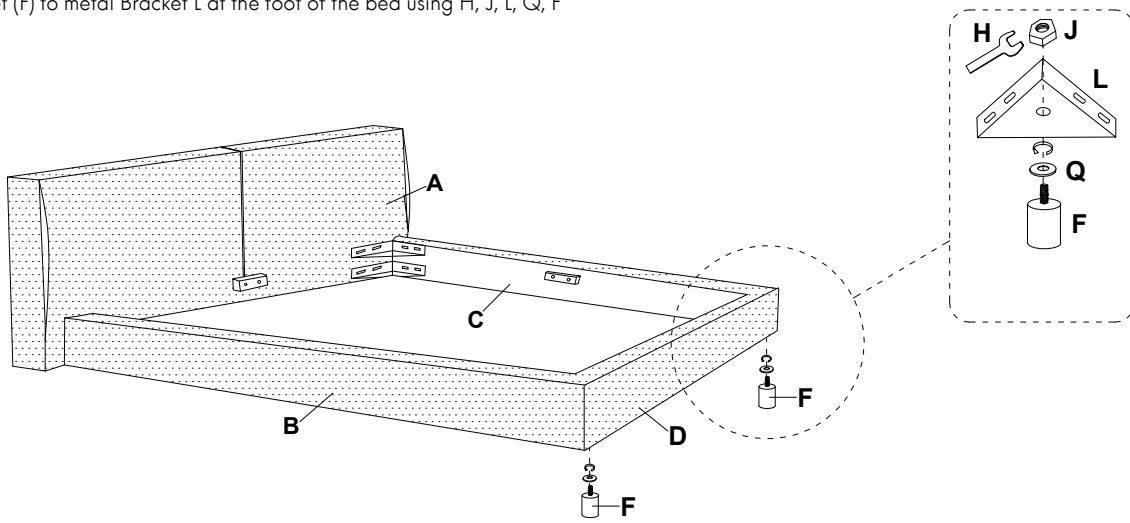
8

- Screw 4x L into the corner of A, B, C, using I, L, O, P, R.



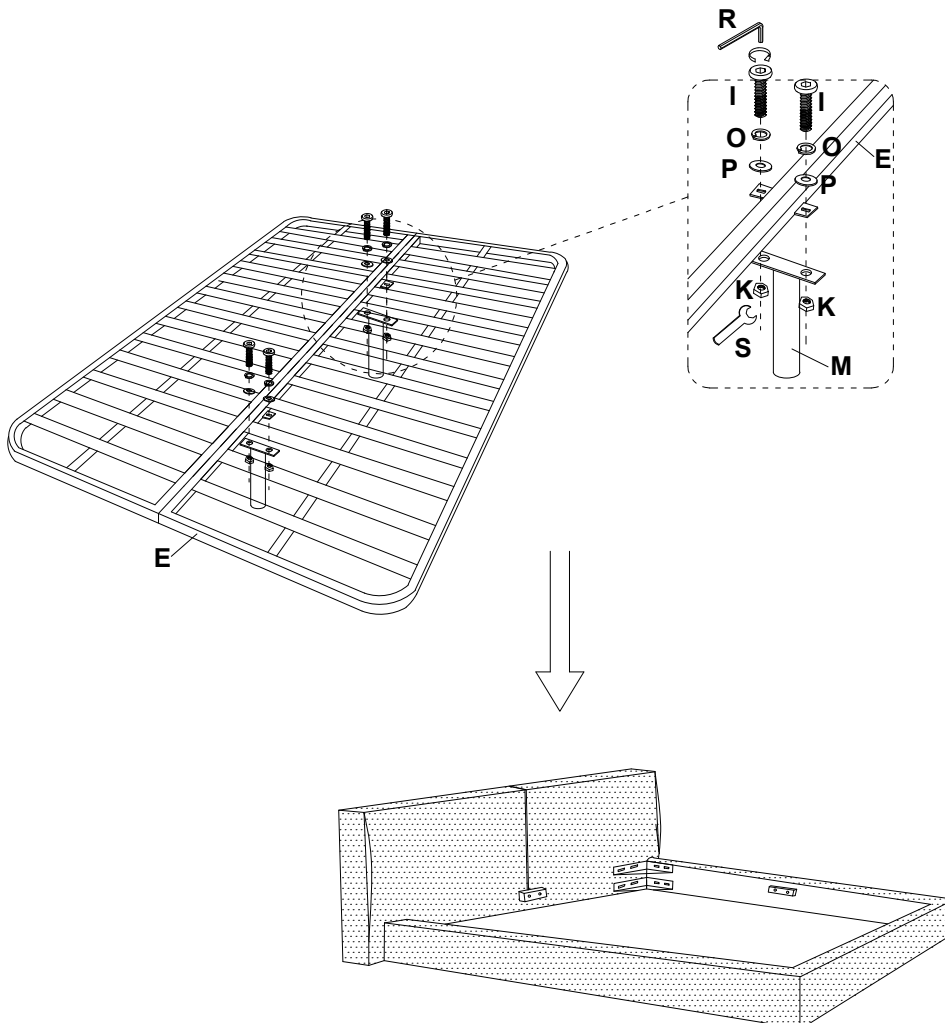
9

- Attach feet (F) to metal Bracket L at the foot of the bed using H, J, L, Q, F



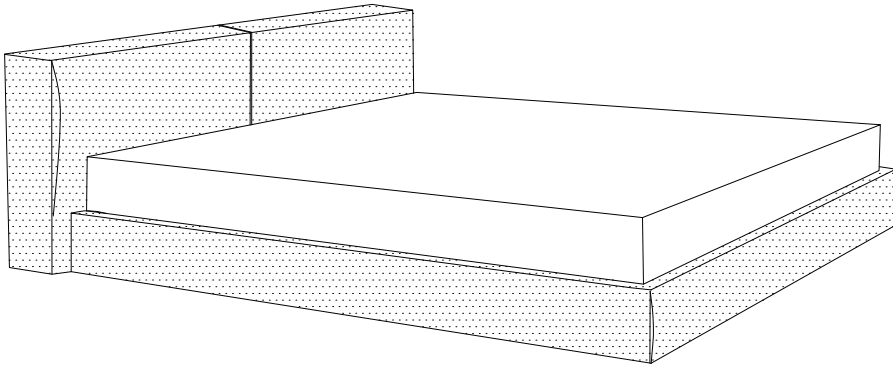
10

- Attach 2 x legs M to the under side of Slat E with hardware I, K, O, P, R and S. Refer to drawing.
- Ensuring the nut and screws are fastened tight with allen R and spanner S provided.



11

- Place mattress on top of bed slats for finished assembly.



WARNING:

- These table parts can be cumbersome and heavy; the assistance of two or more people is recommended in order to prevent personal injury and ensure the table parts are not damaged during the assembly process.
- Keep fittings out of childrens' reach.