

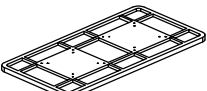
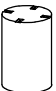







DUNE RECTANGULAR DINING TABLE 2000

MCM HOUSE

Assembly instructions

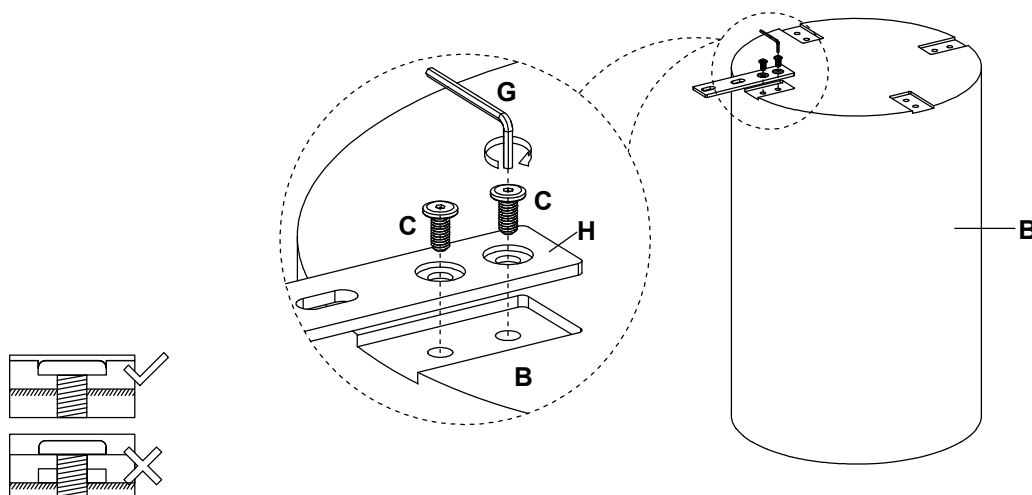
- We suggest you spend a short time reading through this leaflet and then follow the simple step by step instructions.
- Do not discard any of the packaging until you have checked that you have all the parts and the pack of fittings.

PARTS

<p>A</p>  <p>Top 1x</p>	<p>B</p>  <p>Base 2x</p>	<p>C</p>  <p>M8x15mm 16x</p>	<p>D</p>  <p>M8x25mm 16x</p>	<p>E</p>  <p>M8x19mm Flat washer 16x</p>
<p>F</p>  <p>M8 Spring washer 16x</p>	<p>G</p>  <p>Allen Key 1x</p>	<p>H</p>  <p>Metal Brackets 8x</p>	 <p>2 people required for assembly</p>	

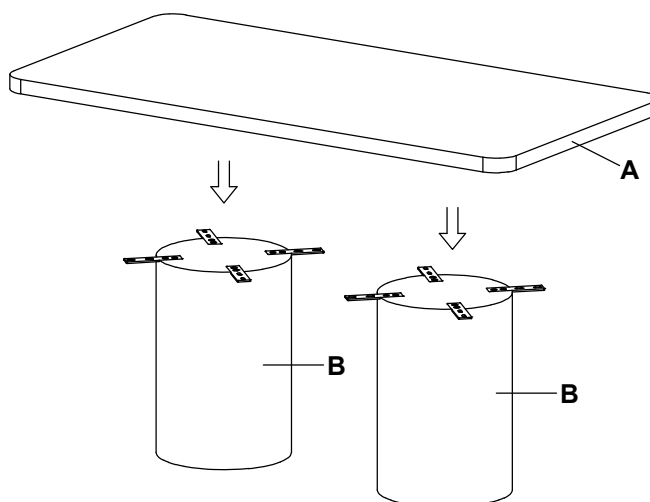
1

- Assemble 4 x Metal Bracket (H) to Base (B).



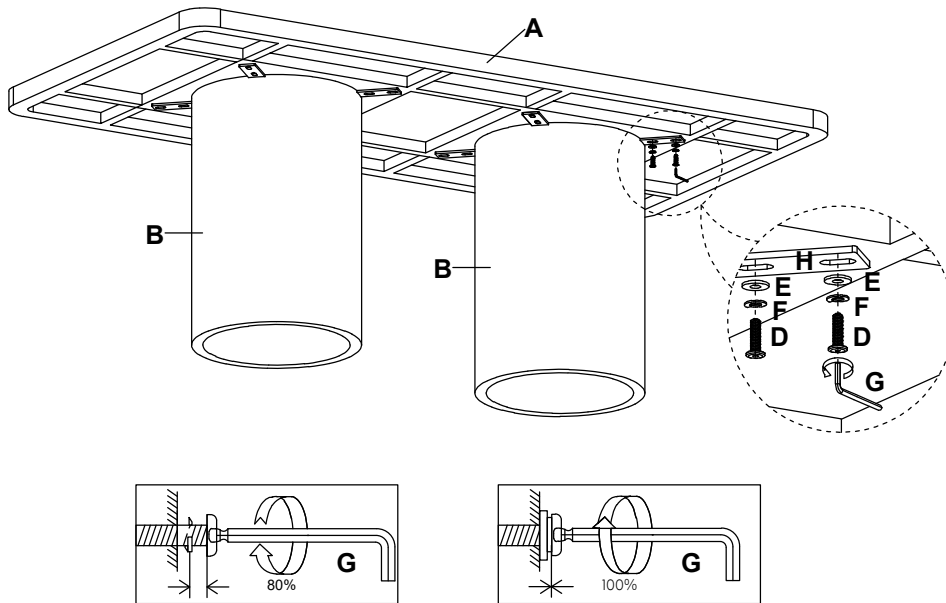
2

- Put the Top(A) on the 2 x Base(B).



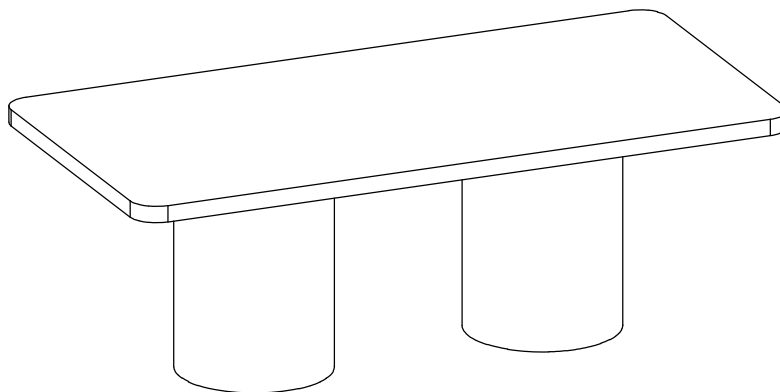
3

- Assemble Base (B) to Top (A).



4

- Finished Assembly.



WARNING:

- These table parts can be cumbersome and heavy; the assistance of two or more people is recommended in order to prevent personal injury and ensure the table parts are not damaged during the assembly process.
- Keep fittings out of childrens' reach