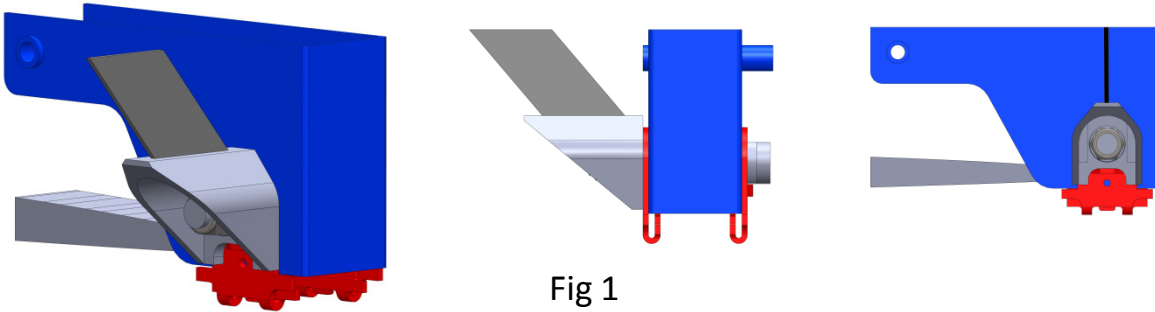
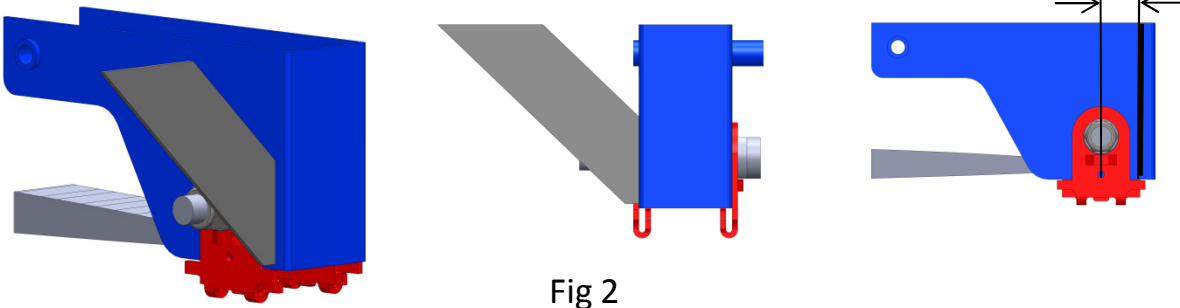


Hanger Bracket Bracing

Hanger with Bolt on Cast Bracket and Bracing



Hanger with Bracing



Notes on suspension bracing:

1. Do not exceed the load capacity of the suspension. That is the trailer weight measured at the ground.
2. Read the maintenance and installation manual before installation.
3. It is the responsibility of the installer to ensure proper vehicle frame design in the area of the suspension attachment.
4. Cross members are required at hanger and airbag locations, diagrams shown are for reference purposes only. Frame design is the responsibility of the installer.
5. Locate cross bracing as shown in Fig 1 or Fig 2 as above.
6. Min 35mm clearance is required around the airbag in the installed position
7. Min 30mm clearance is required above the tyre to any trailer component with the suspension at full compression.
8. Min 50mm from any trailer component to the tyre, Installer to ensure no fowl conditions as suspension does experience some lateral movement