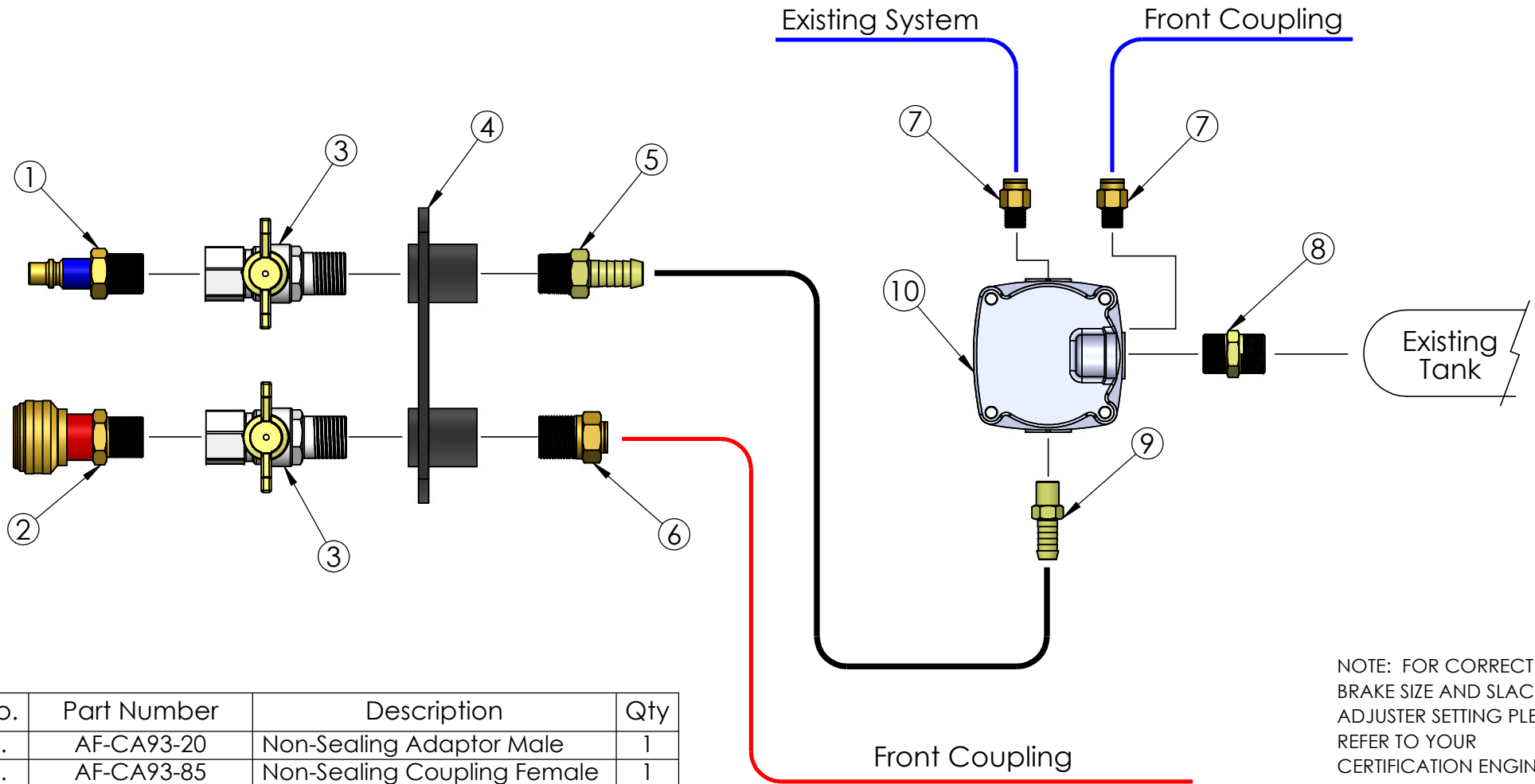


- Service Line (Ø3/8" Blue Nylon)
- Supply Line (Ø3/8" Red Nylon)
- Service Delivery (Ø1/2" Black Rubber Hose)

PLEASE NOTE: ANY CHANGES MADE FROM THIS DRAWING LAYOUT OR ITS COMPONENTS WILL VOID THE 'ADR' COMPLIANCE. DO NOT USE ANY LINE LENGTH LONGER THAN THE MAXIMUM SPECIFIED. REFER TO DRAWING 'M0004 INSTALL' FOR INSTRUCTIONS.



NOTE: FOR CORRECT SPRING BRAKE SIZE AND SLACK ADJUSTER SETTING PLEASE REFER TO YOUR CERTIFICATION ENGINEER.

No.	Part Number	Description	Qty
1.	AF-CA93-20	Non-Sealing Adaptor Male	1
2.	AF-CA93-85	Non-Sealing Coupling Female	1
3.	AFGPBV-500-01	Tap	2
4.	AFT420	Coupling Bracket	1
5.	AFGP-570-0808	Hose Barb 1/2" to 1/2"	1
6.	AFDQ68-DOT-0608	Adaptor 3/8" to 1/2" NPT	1
7.	AFDQ68-DOT-0604	Adaptor 3/8" to 1/4" NPT	2
8.	AFGP-027-012	Hex Nipple 3-4"	1
9.	AFGP-570-0806	Hose Barb 1/2" to 3/8" NPT	1
10.	HA355018071	Wabco 2 Port Relay Valve	1

Drawn By: AD	Description: Lead Trailer Pilot Valve Kit with Couplings	
Date: 29/01/19		
Revision:	Dwg No: BKEBSA502	