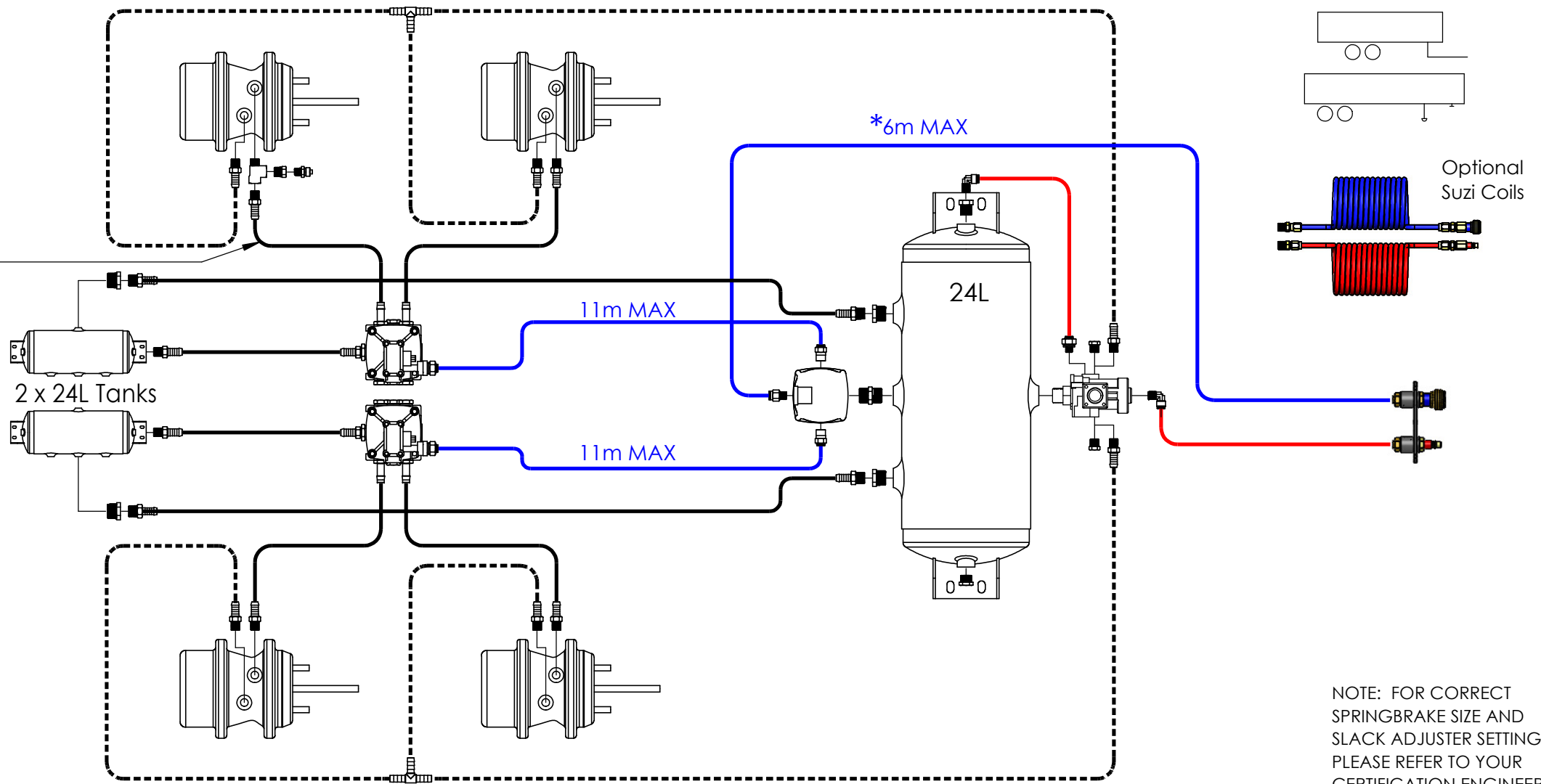


NOTE: *Keep service delivery line lengths equal to a maximum of 2m.
 **Master assembly should be mounted in the center of the axle group.
 24L Tanks can only be used with 1216 Actuators

PLEASE NOTE: ANY CHANGES MADE FROM THIS DRAWING LAYOUT OR ITS COMPONENTS WILL VOID THE 'ADR' COMPLIANCE. DO NOT USE ANY LINE LENGTH LONGER THAN THE MAXIMUM SPECIFIED. REFER TO DRAWING 'M004 INSTALL' FOR INSTRUCTIONS.



NOTE: FOR CORRECT SPRINGBRAKE SIZE AND SLACK ADJUSTER SETTING PLEASE REFER TO YOUR CERTIFICATION ENGINEER.

- Service Line (Ø3/8" Blue Nylon)
- Supply Line (Ø3/8" Red Nylon)
- Service Delivery (Ø1/2" Black Rubber Hose)
- - - - - Emergency Delivery (Ø1/2" Black Rubber Hose)

ADR 38/05
COMPLIANT

Drawn By: AD	Description: Remote Mount Tandem ABS24v
Date: 26/04/19	Part No: BKABS002RM
Revision: 1	SARN: 48279

