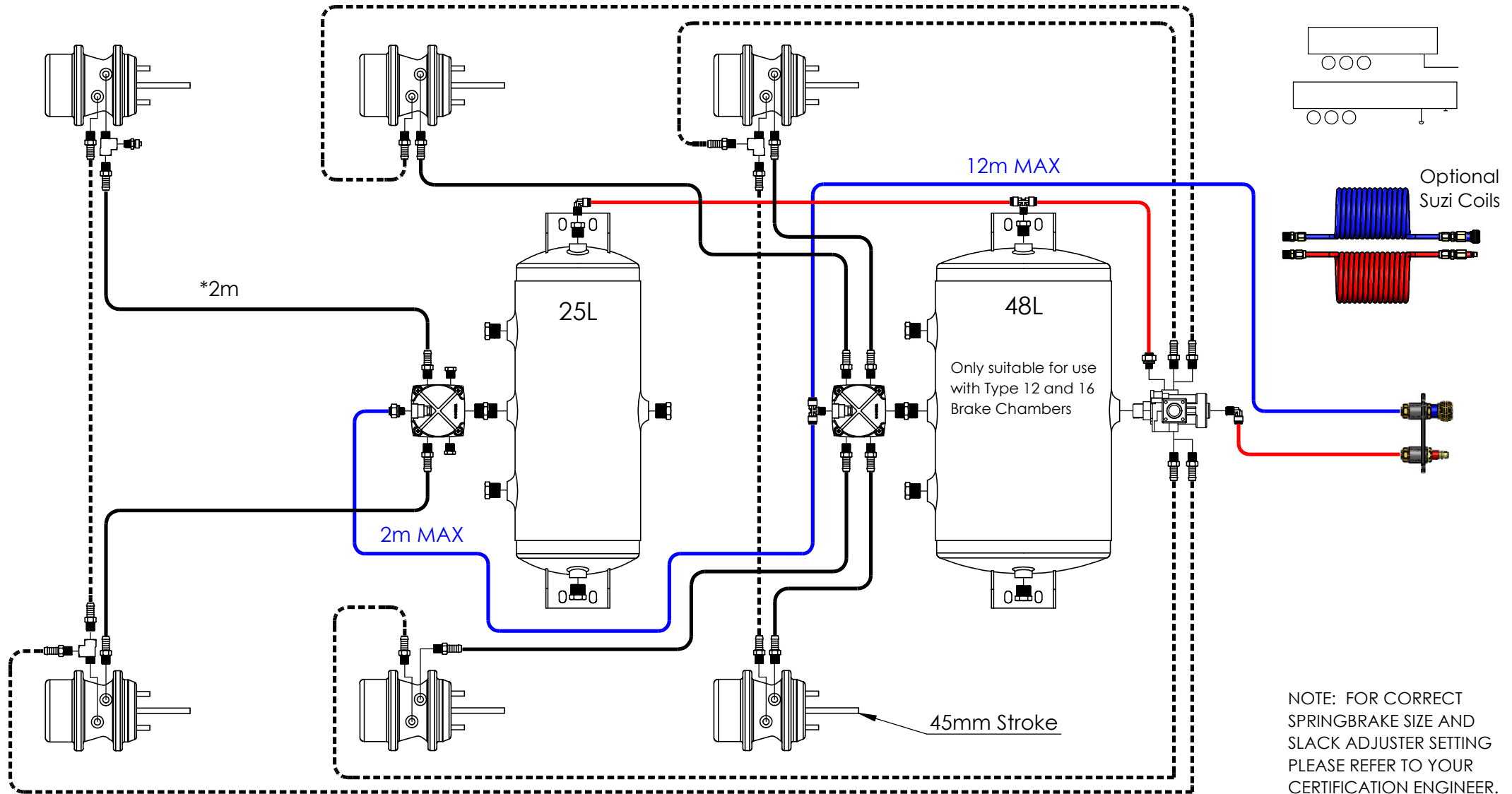


NOTE: *Keep service delivery line lengths equal to a maximum of 2m.

PLEASE NOTE: ANY CHANGES MADE FROM THIS DRAWING LAYOUT OR ITS COMPONENTS WILL VOID THE 'ADR' COMPLIANCE. DO NOT USE ANY LINE LENGTH LONGER THAN THE MAXIMUM SPECIFIED. REFER TO DRAWING 'ADR3804EBS INSTALL REV1' FOR INSTRUCTIONS.



- Service Line (Ø3/8" Blue Nylon)
- Supply Line (Ø3/8" Red Nylon)
- Service Delivery (Ø1/2" Black Rubber Hose)
- - - Emergency Delivery (Ø1/2" Black Rubber Hose)

Drawn By: AD	Description: Tri Brake Kit
Date: 27/04/20	Part No: BK003
Revision: 4	SARN: 43132

