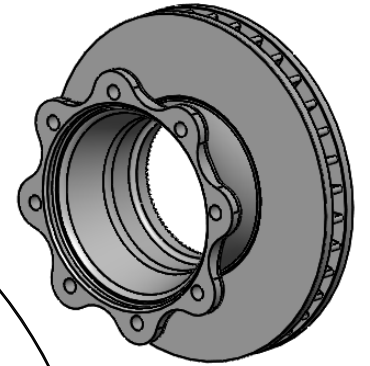
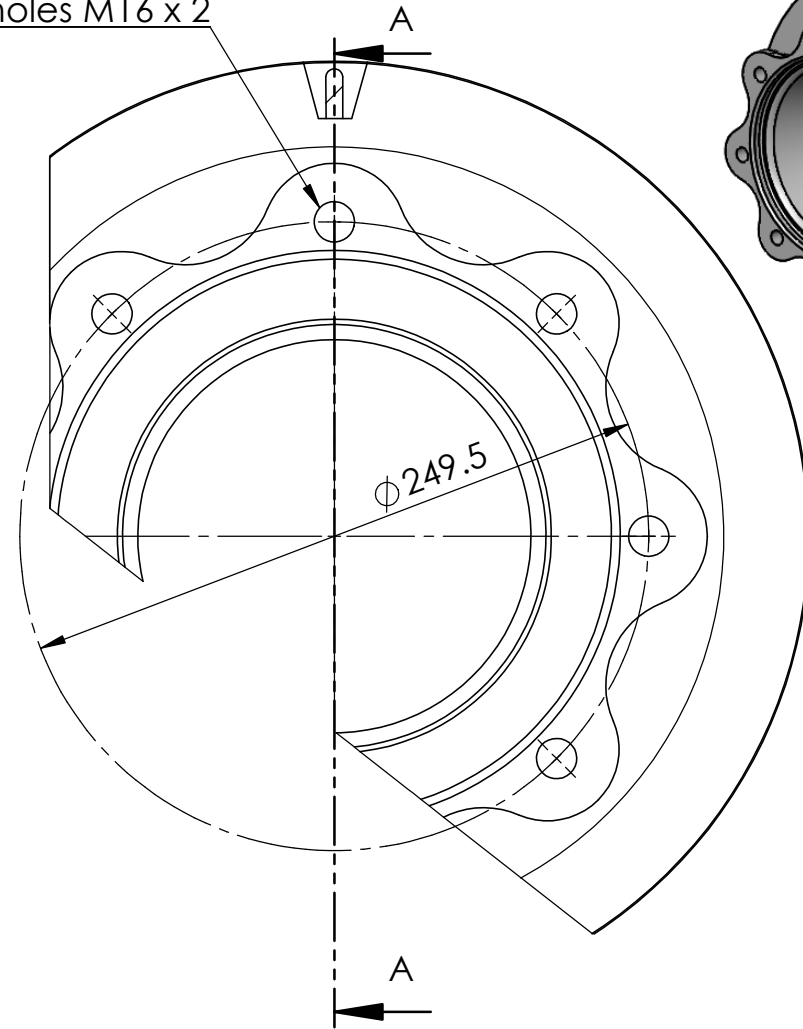


8 holes M16 x 2



Drawn By: AD	Description: Disc Rotor
Date: 1/03/13	Part No: BD8439
Revision: Customer	Material:

