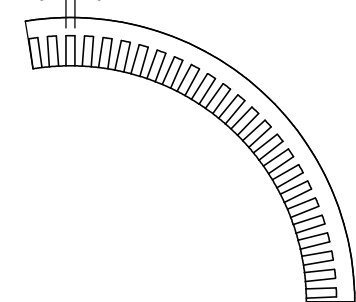
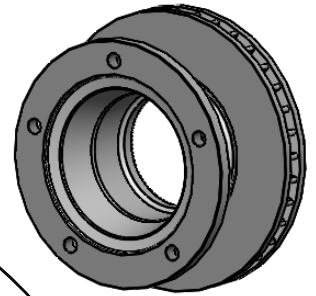
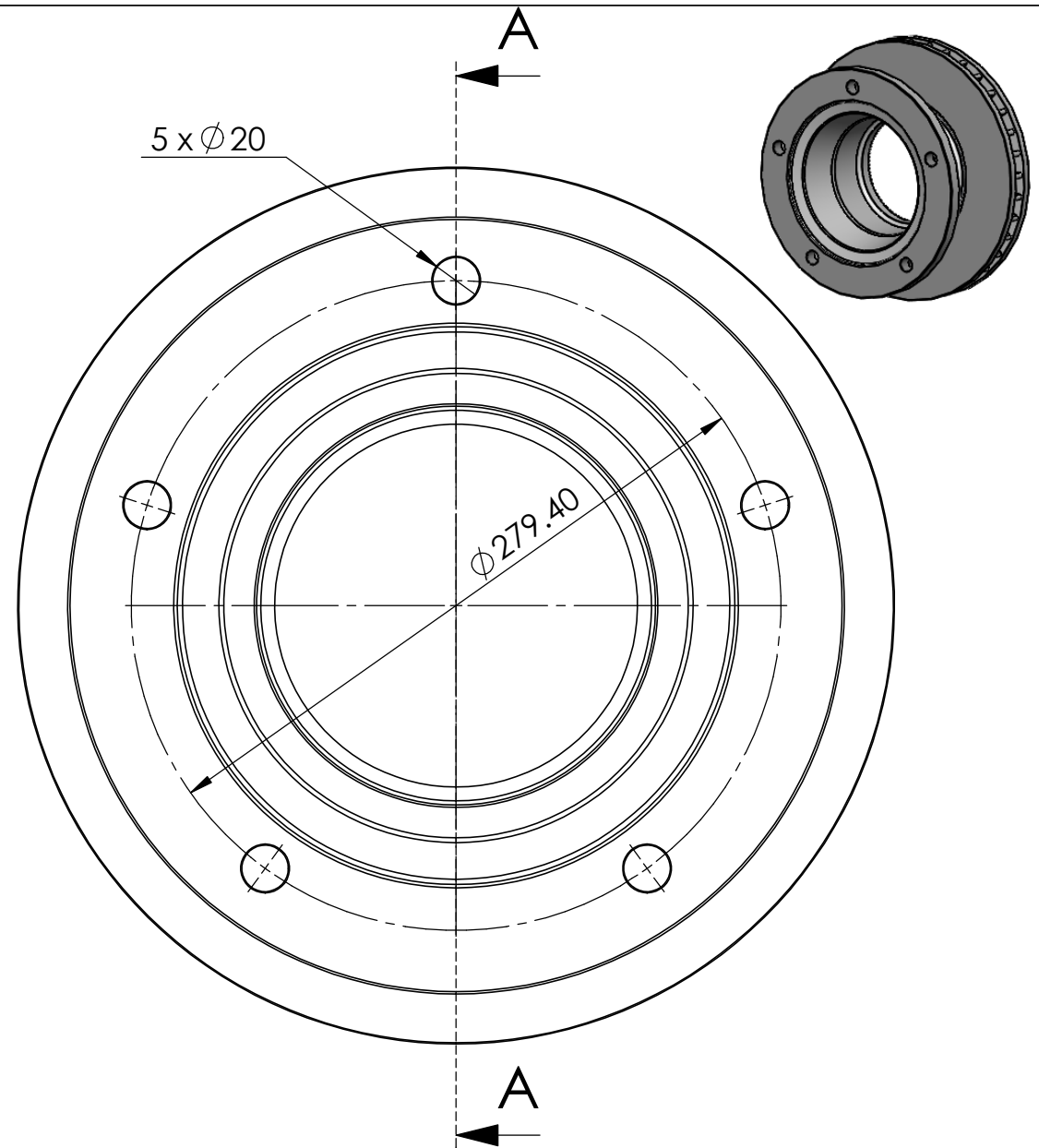


90 Teeth



SECTION A-A
SCALE 1 : 3



Drawn By: AD	Description: Pan 19 Demountable
Date: 24/11/14	Part No: BD8435 TP
Revision: Customer	Material:

