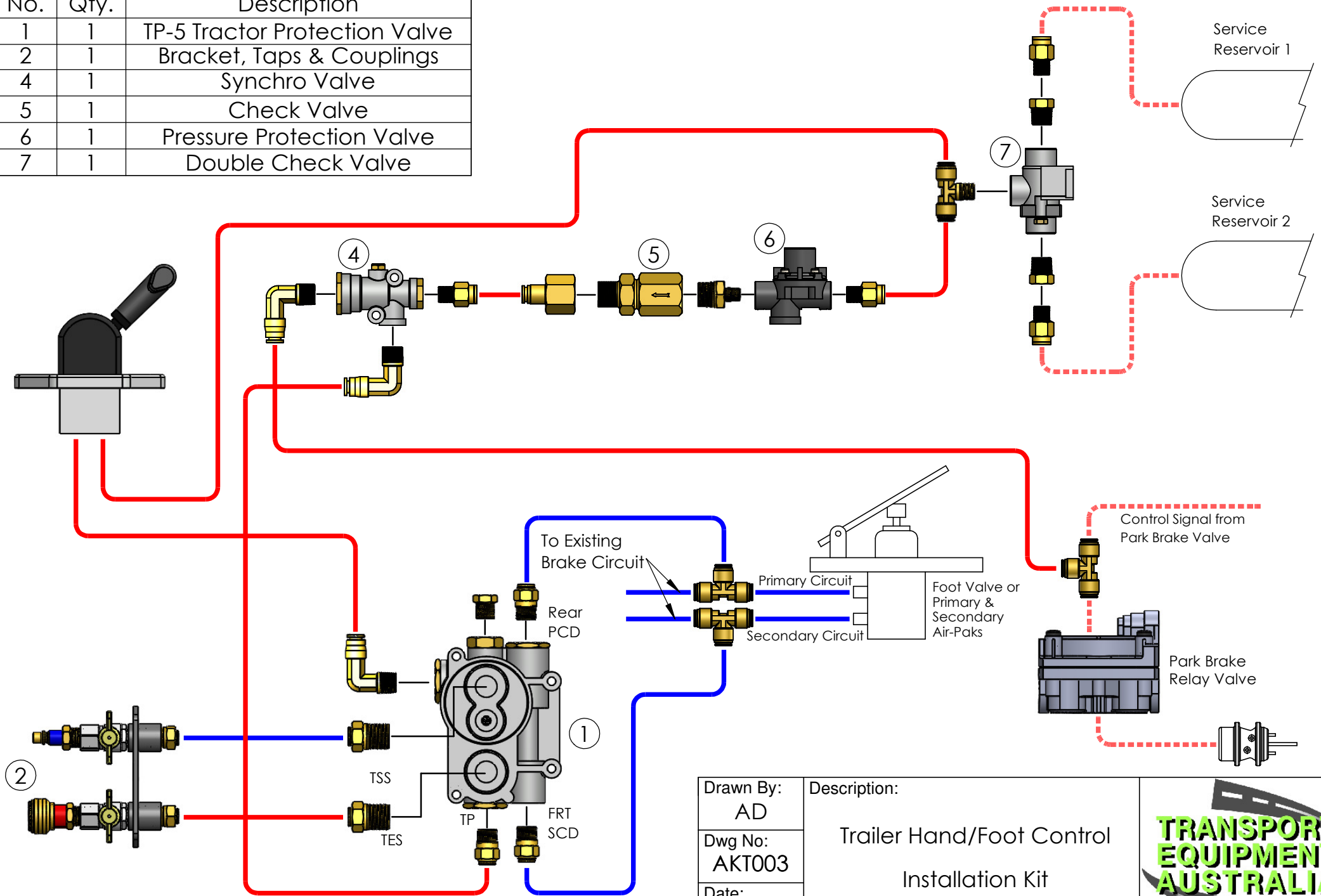


No.	Qty.	Description
1	1	TP-5 Tractor Protection Valve
2	1	Bracket, Taps & Couplings
4	1	Synchro Valve
5	1	Check Valve
6	1	Pressure Protection Valve
7	1	Double Check Valve



Drawn By:
AD
Dwg No:
AKT003
Date:
30/09/19

Description:
Trailer Hand/Foot Control
Installation Kit

