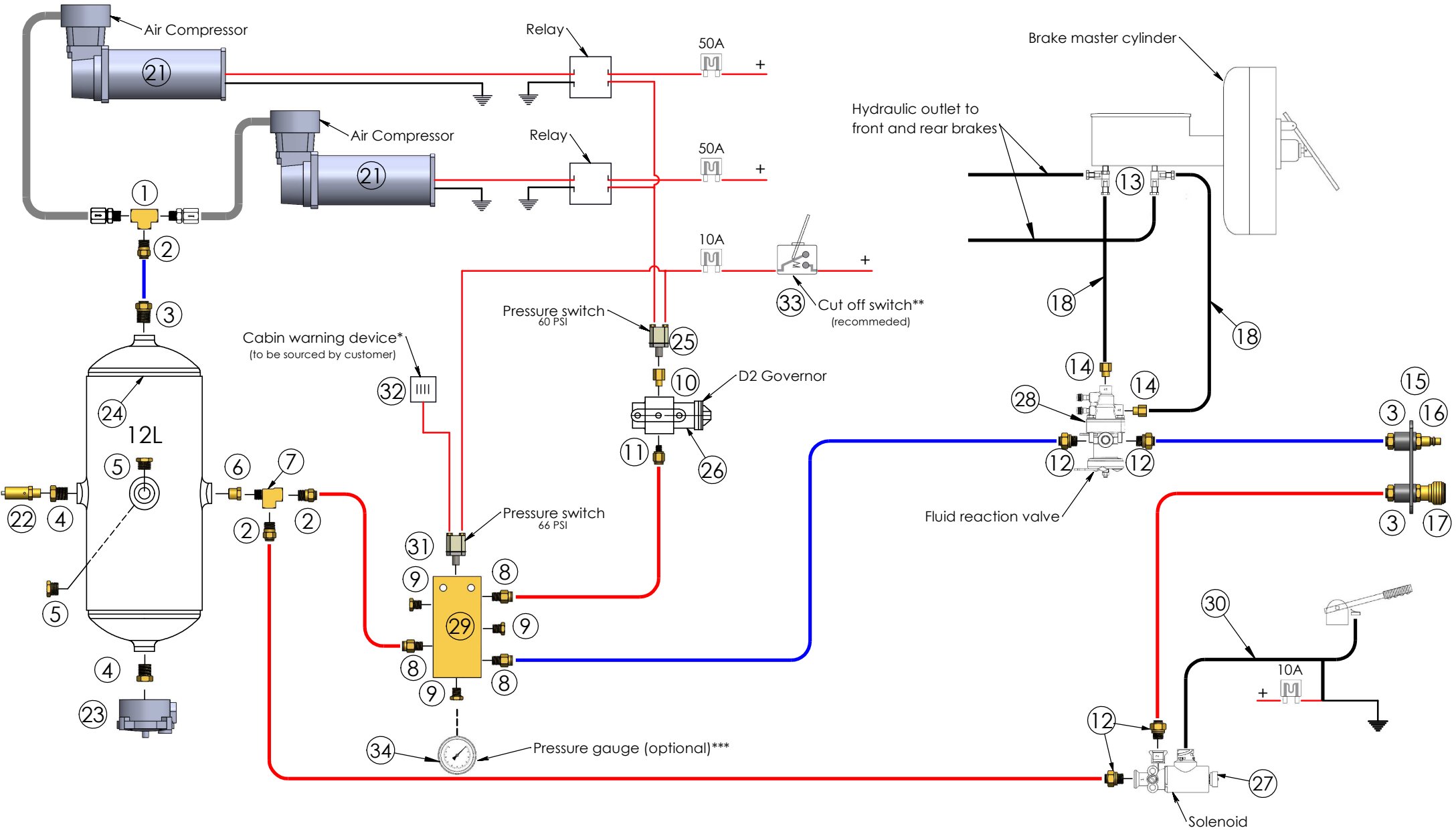



**Caution:** Non AEB and non VSC vehicles only. Consult vehicle manufacturer for AEB and VSC vehicle applications.



**Please note:**

- This installation modifies towing vehicles braking system. Complete system must be tested and certified by an authorised personnel.
- Installation must be carried out by qualified personnel only.
- Fuses and electrical cables not supplied.

Drawn By: AD	Description: <b>Trailer Foot Control Kit AKT002</b>  <b>Ute to Trailer Full Hydraulic</b>	
Date: 5/04/24		
Doc No: AKT002INSTMAN		

# Trailer Foot Control Kit

## AKT002

### Ute to Trailer - Full Hydraulic

Pos.	Part Number	Description	Qty
1.	AF035-06	3/8 Female Tee NPTF	1
2.	AFDQ68-DOT-0606	3/8 Nyl - 3/8 Male Connector	3
3.	AFDQ68-DOT-0608	3/8 Nyl - 1/2 Male Connector	3
4.	AFGP-024-0408	Reducing Bush 1/4 to 1/2 NPT	2
5.	AFGP-064-08	Hex Plug 1/2 NPT	2
6.	AF024-0608	Reducing Bush 3/8 to 1/2 NPT	1
7.	AFDQ-702-06	Tee 3/8 Male to 3/8 Female	1
8.	AFDQ68-DOT-0604	3/8 Nyl - 1/4 Male Connector	3
9.	AFGP-064-04	Hex Plug 1/4 NPT	3
10.	AF024-0402	Reducing Bush 1/4 to 1/8 NPT	1
11.	AFDQ68-DOT-0602	3/8 Nyl - 1/8 Male Connector	1
12.	AFDQ68-DOT-06M16	3/8 Nyl - M16 Male Connector	4
13.	HF49-TRA001	Hydraulic Tee M14 x 1.5mm	2
14.	HF49-TRA002	Hydraulic Adaptor M12 to 3/8 - 24UNF w/ washer	2
15.	AFT420	Coupling Bracket	1
16.	AF-CA93-93	Self sealing Adaptor - Male thread	1
17.	AF-CA93-32	Self sealing Coupling - Male thread	1
18.	HYBH38241425	Hydraulic Brake Hose 1425 DOT	2
19.	AHQD-3/8NTB	3/8 Nylon hose - Blue	8m
20.	AHQD-3/8NTR	3/8 Nylon hose - Red	8m
21.	ACQD-48032	12V Air Compressor Kit - c/w 2 compressors	1
22.	KB284/42	Bendix ST3 Safety Valve	1
23.	KB2819925	DV2 Auto Drain Valve 1/4	1
24.	ATQD12-AL	12L Air Tank	1
25.	KB228750	Pressure Switch 60 PSI	2
26.	KB275491	Bendix D2 Governor	1
27.	472-170-637-0	Wabco 3/2 N/C Solenoid	1
28.	HA329020251	Haldex Fluid Reaction Valve	1
29.	AVMAN0701	7 Port Manifold 1/4	1
30.	449-742-100-0	Bayonet solenoid cable open end	1
31.	HABE13241	Pressure Switch 66 PSI	1
32.	n/a	Warning device (to be sourced by customer)*	1
33.	n/a	Cut off Switch (to be sourced by customer)**	1
34.	n/a	Pressure Gauge (optional)***	1

Drawn By:  
AD

Date:  
5/04/24

Doc No:  
AKT002INSTMAN

Description:  
  
Trailer Foot Control Kit  
AKT002

Ute to Trailer  
Full Hydraulic

