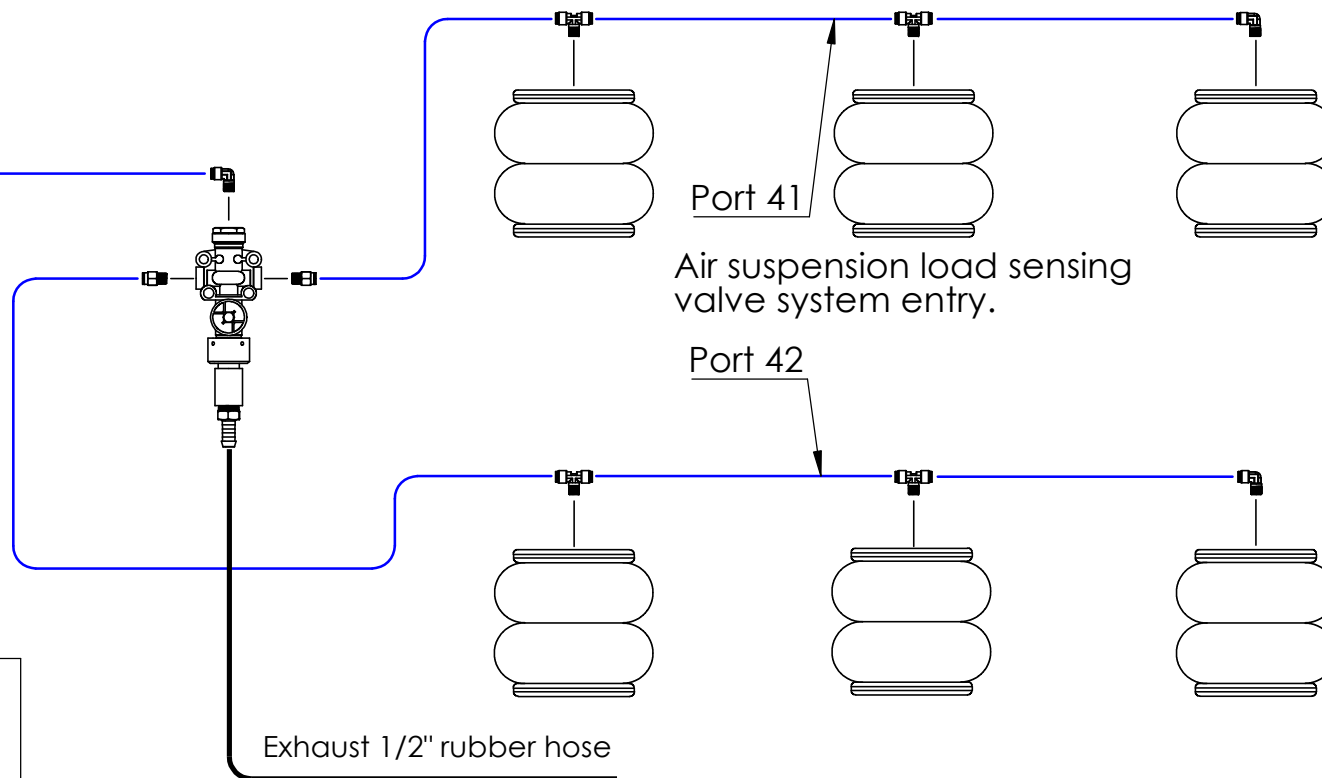




Existing Air  
Brake Tank

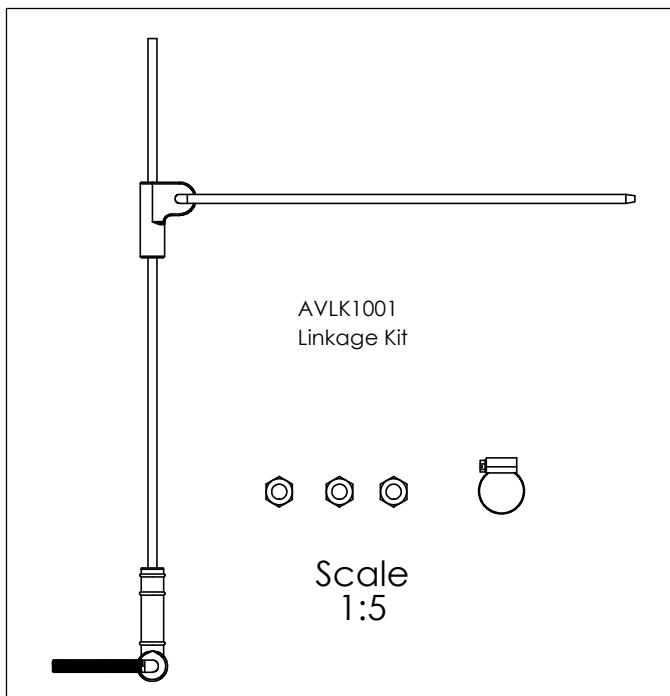


Port 41

Air suspension load sensing  
valve system entry.

Port 42

Exhaust 1/2" rubber hose



AVLK1001  
Linkage Kit



Scale  
1:5

Drawn By:  
AD

Part No:  
AKS003M

Date:  
16/05/17

Description:

Tri  
Air Suspension Kit  
Marinised



R1