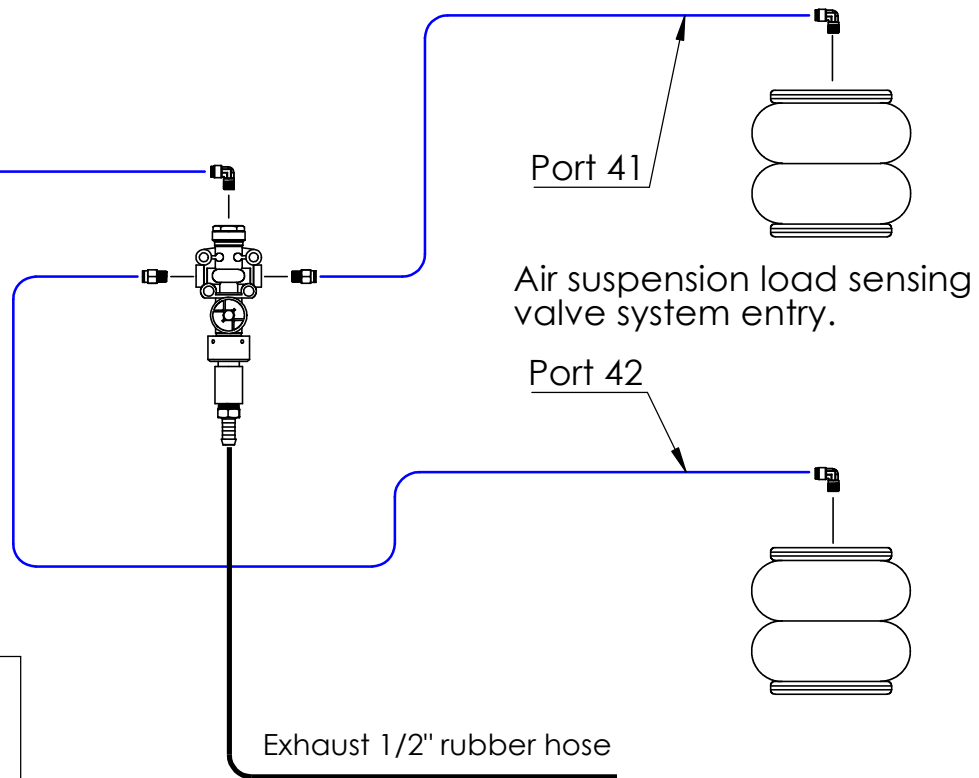




Existing Air
Brake Tank

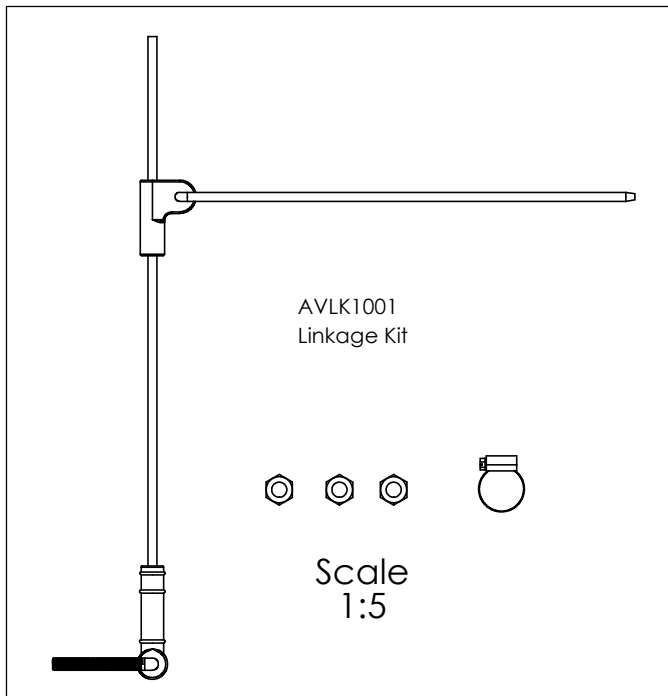


Port 41

Air suspension load sensing
valve system entry.

Port 42

Exhaust 1/2" rubber hose



AVLK1001
Linkage Kit

Scale
1:5

Drawn By:
AD
Part No:
AKS001M
Date:
16/05/17

Description:

Single
Air Suspension Kit
Marinised

R1

