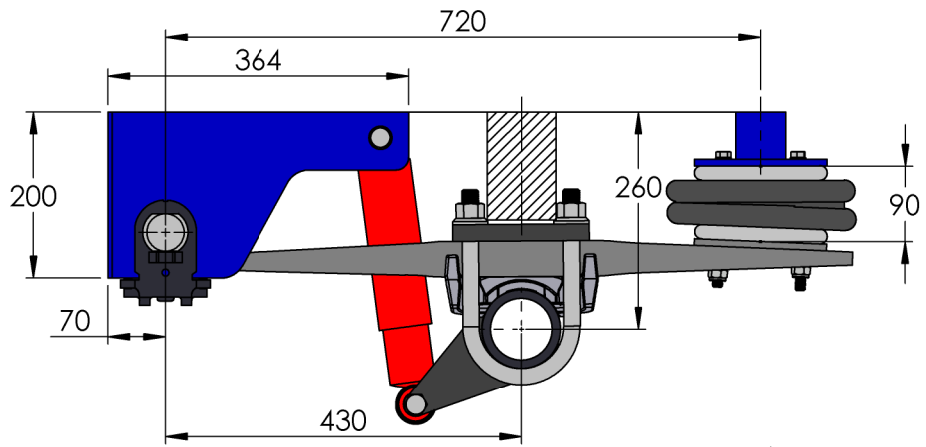
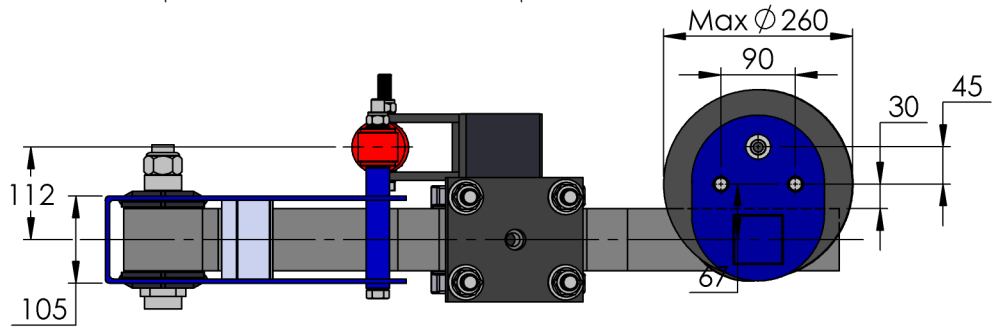


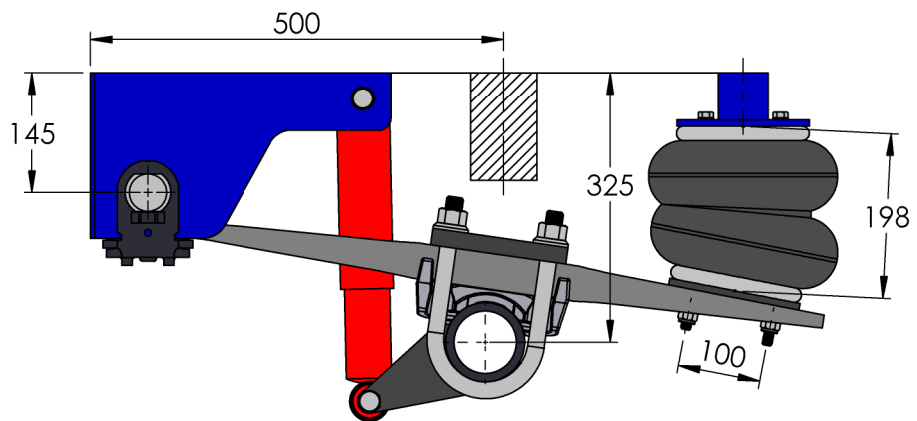
BUMP



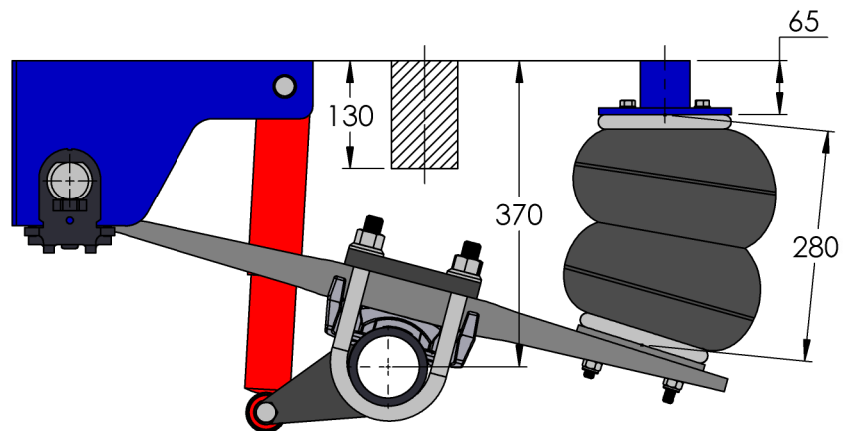
OVERVIEW



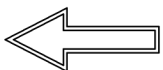
RIDE HEIGHT



MAXIMUM



Forward



CTA No.	
Single	CTA-042866
Tandem	CTA-042867
Tri	CTA-042868
Quad	CTA-048689

ADR 38/05
COMPLIANT

Drawn By:	AD
Dwg No:	607
Date:	1/08/22

Description:	6T Overslung Air Suspension
--------------	--------------------------------

