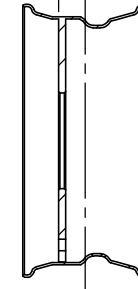


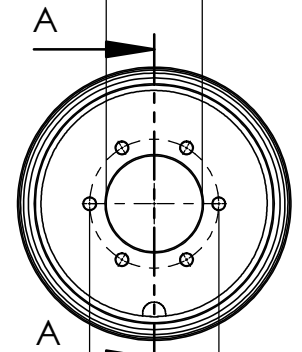
*NOTE:
THIS DIMENSION IS FOR 45.5mm
OFFSET RIM.

45.5mm Offset



SECTION A-A
SCALE 1 : 13

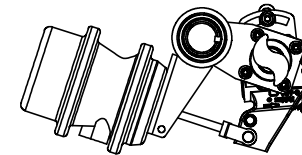
Ø 165 Spigot



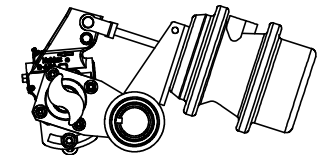
6 x (M20) 222

Front
←

Cam Position 1



Cam Position 2



CTA No.	CTA-042912
---------	------------

Gross axle load may be determined by ratings of tyres being used.

Technical Specifications		
	Size	Max Load Single Wheel
Tyre	235/75R17.5	2725
Rim	6.75 x 17.5	3000

ADR 38/05
COMPLIANT

Drawn By: AD	Description: 6T Single Wheel Axle 1920 Drum Face	
Dwg No: 610		
Date: 20/01/23		