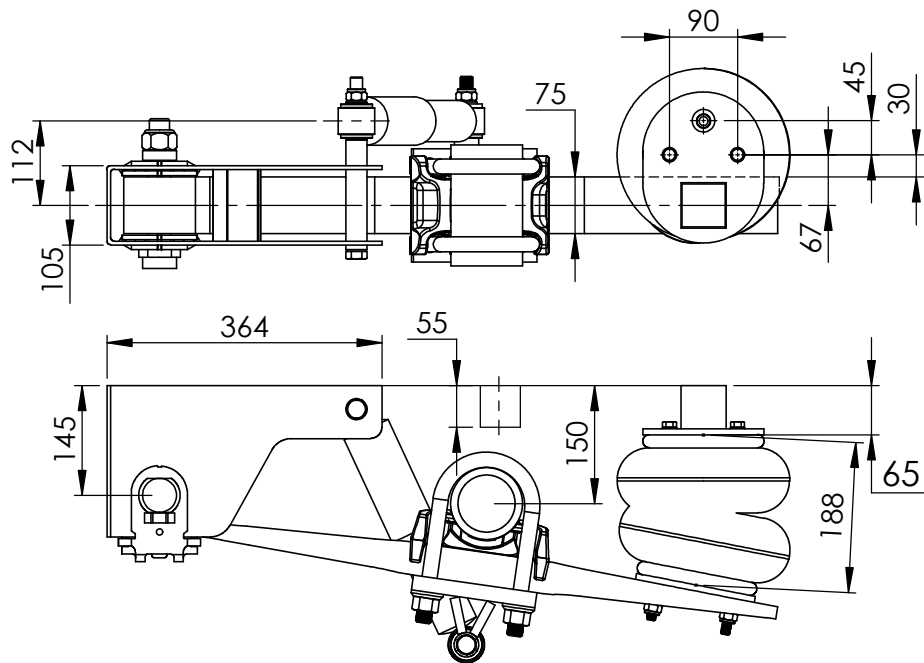
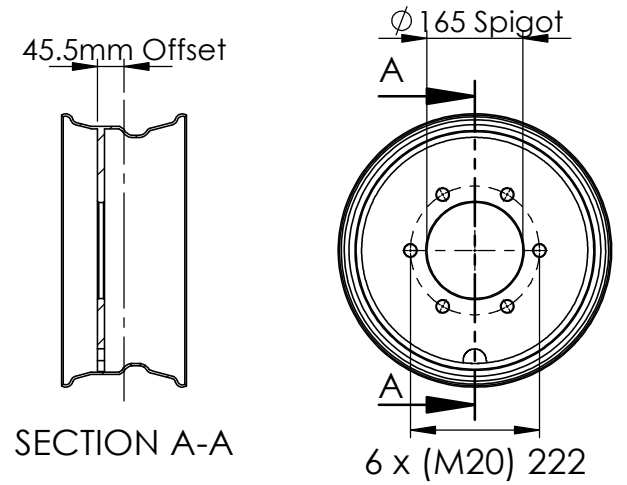
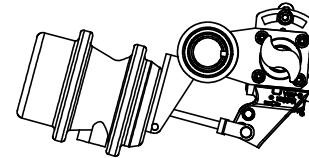
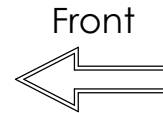


*NOTE:
 THIS DIMENSION IS FOR
 45.5mm OFFSET RIM.



Cam Position



Component	SARN No.
6T Axle	CTA-042912
Single Suspension	CTA-042866
Tandem Suspension	CTA-042867
Tri Suspension	CTA-042868

Gross axle load may be determined by ratings of tyres being used.

Technical Specifications		
	Size	Max Load Single Wheel
Tyre	235/75-17.5	2725
Rim	6x17.5	3000

**ADR 38/05
 COMPLIANT**

Drawn By:
 AD
 Dwg No:
 613
 Date:
 15/05/23

Description:
 6T Single Wheel
 Axle and Underslung
 Suspension
 1920 Drum Face

