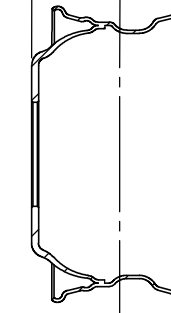
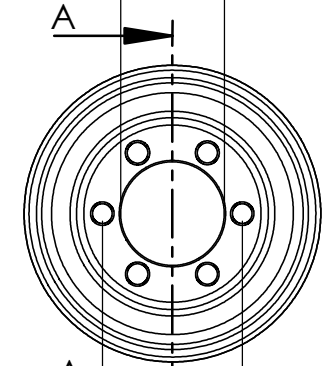


*NOTE:
THIS DIMENSION IS FOR 45.5mm
OFFSET RIM.

140mm Offset

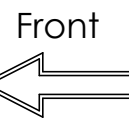


Ø 165 Spigot

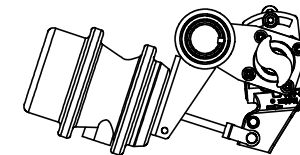


SECTION A-A
SCALE 1 : 12

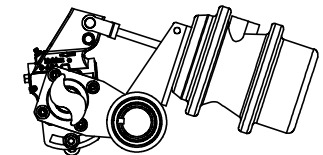
6 x (M20) 222



Cam Position 1



Cam Position 2



CTA No.

CTA-042912

Gross axle load may be determined
by ratings of tyres being used.

Technical Specifications

	Size	Max Load Single Wheel
Tyre	235/75R17.5	2725
Rim	6.75 x 17.5	3000

ADR 38/05
COMPLIANT

Drawn By:

AD

Dwg No:

612

Date:

20/01/23

Description:

6T Dual Wheel Axle

1920 Drum Face

