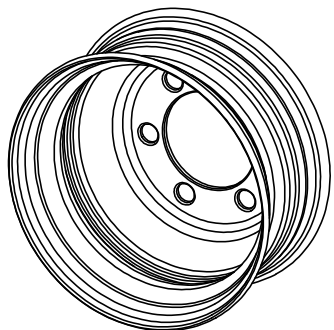
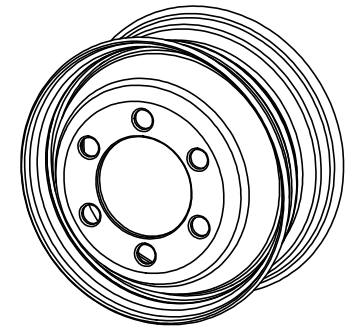
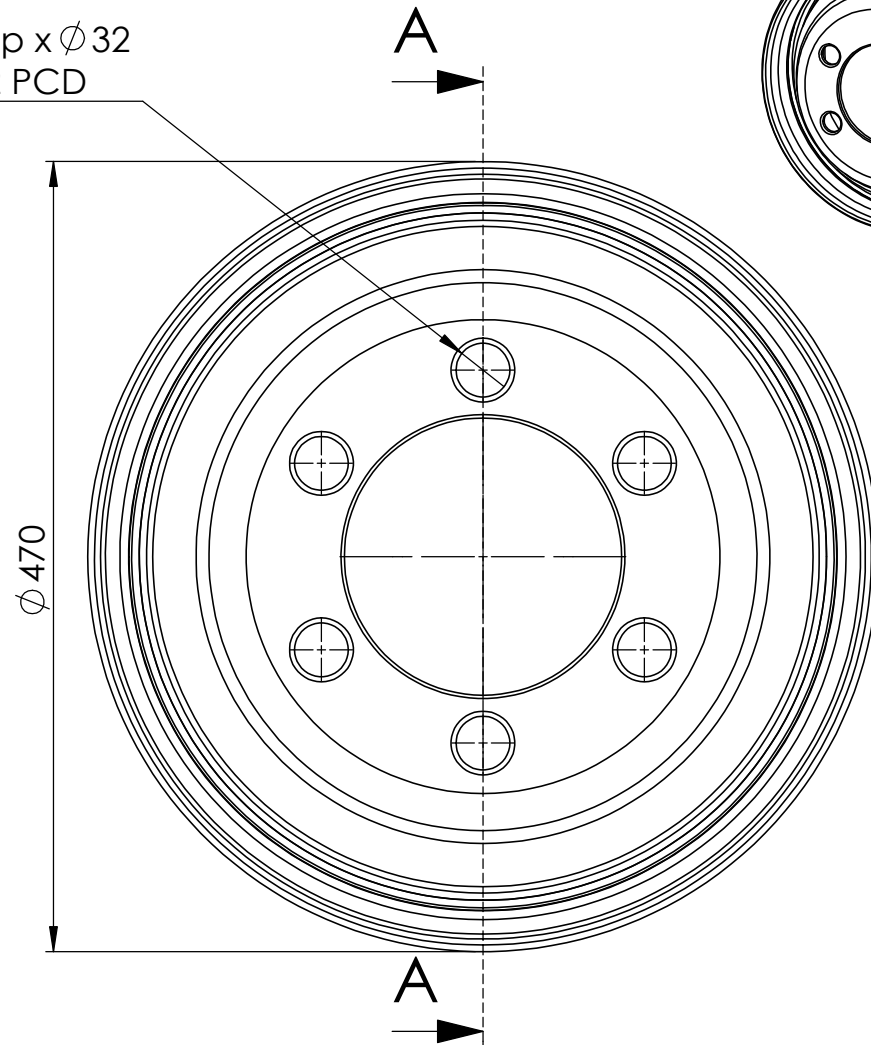


SECTION A-A

6 Stud Jap x $\phi 32$
on 222 PCD



Drawn By: AD	Description: 6T Dual wheel 17.5x6.75
Date: 5/11/14	Part No: W17.5 Dual
Revision:	Material:

