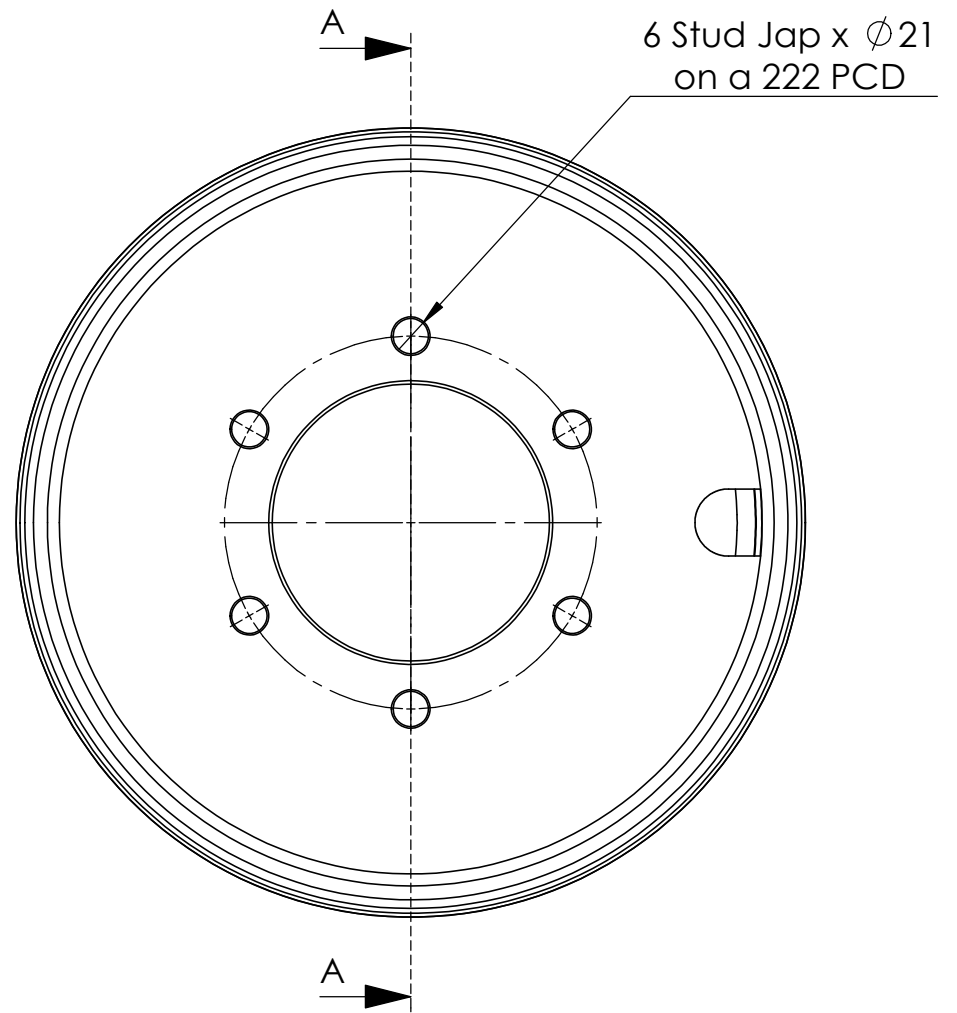


Section A-A
Scale 1:4.5



*5T Wheel positive offset shown.

Drawn By: AD	Description: 5T Wheel 17.5 x 6.75
Date: 11/10/23	Part No: W17.5
Revision: Customer	Load Rating: 3000kgs

